

# Multiple Status Indicators

## Series MEXE, MS25, MS35, MS45, MS55



www.stahl.de



18071E00

- > Pre-wired ready-to-use multi-signalling unit
- > Corrosion resistant
- > Suitable for offshore / onshore & harsh environments
- > Incorporates the FX15 GRP beacon & YA90 for visual & audible notification
- > Xenon flashing or LED steady options
- > Sounder max. output 115dB
- > Ex e termination area
- > Quick and easy to terminate
- > High ingress protection IP66 & IP67
- > Extreme temperature range -55 °C ... +70 °C
- > Light enhancing lens, 8 colour options
- > Up to 5 beacon positions, plus junction box
- > Up to 3 beacon positions & 1 x YA90 sounder, plus junction box



E5

Product series MEXE, MS25, MS35, MS45 and MS55 is a user-configurable solution, which is designed for use as a status indicator in harsh or hazardous area applications. Whether it is a single beacon or a multi-unit device, the assembly is made up of certified components, which are pre-terminated into an Ex e junction box, which makes for a quick and easy installation. The enclosures of the signalling devices are made from GRP and assembled onto the stainless steel back plate, using corrosion resistant fixings. The system provides the user with a status indication unit, incorporating either xenon or LED beacons, along with audible notification, if required. The extreme temperature range and IP rating, along with its corrosion resistant materials, makes it an ideal choice for applications, both on or offshore.

Zone	ATEX IECEx					
	0	1	2	20	21	22
For use in		x	x		x	x

**WebCode MSA**

# Multiple Status Indicators

## Series MEXE, MS25, MS35, MS45, MS55



### Explosion Protection

Global (IECEX)	
Gas and dust	<p>For assemblies that include a xenon flashing beacon Ex de IIC T4 Gb Ex tb IIIC 105 °C Db</p> <p>For assemblies that do not include a xenon flashing beacon Ex de IIC T4 Gb Ex tb IIIC 80 °C Db</p> <p>Product series MEXE, MS25, MS35, MS45 and MS55 are made up of several certified components. For a detailed list of components and certificates please contact your local sales office.</p>
Europe (ATEX)	
Gas and dust	<p>For assemblies that include a xenon flashing beacon ⊕ II 2 G Ex de IIC T4 Gb ⊕ II 2 D Ex tb IIIC 105 °C Db</p> <p>For assemblies that do not include a xenon flashing beacon ⊕ II 2 G Ex de IIC T4 Gb ⊕ II 2 D Ex tb IIIC 80 °C Db</p> <p>Product series MEXE, MS25, MS35, MS45 and MS55 are made up of several certified components. For a detailed list of components and certificates please contact your local sales office.</p>
Certifications and certificates	
Certificates	IECEX, ATEX, Kazakhstan (TR), Russia (TR), Belarus (TR)

### Technical Data

Electrical data																																																									
Version	<b>5 Joule Xenon Beacon</b>																																																								
Rated operational voltage	24 V DC, 48 V DC, 115 V AC and 230 V AC operational parameters +/-10 %																																																								
Rated operational current	<table border="1"> <thead> <tr> <th>24 V DC</th> <th>48 V DC</th> <th>115 V AC</th> <th>230 V AC</th> </tr> </thead> <tbody> <tr> <td>300 mA</td> <td>185 mA</td> <td>140 mA</td> <td>75 mA</td> </tr> </tbody> </table>	24 V DC	48 V DC	115 V AC	230 V AC	300 mA	185 mA	140 mA	75 mA																																																
24 V DC	48 V DC	115 V AC	230 V AC																																																						
300 mA	185 mA	140 mA	75 mA																																																						
Power	not applicable																																																								
	<table border="1"> <thead> <tr> <th colspan="2">Steady LED</th> <th colspan="2">Nominal</th> </tr> <tr> <th></th> <th>24 V DC</th> <th>110 V AC</th> <th>230 V AC</th> </tr> </thead> <tbody> <tr> <td>green</td> <td>150 mA</td> <td>34 mA</td> <td>16 mA</td> </tr> <tr> <td>red</td> <td>109 mA</td> <td>25 mA</td> <td>12 mA</td> </tr> <tr> <td>amber</td> <td>113 mA</td> <td>26 mA</td> <td>12 mA</td> </tr> <tr> <td>blue</td> <td>133 mA</td> <td>30 mA</td> <td>15 mA</td> </tr> <tr> <td>white</td> <td>139 mA</td> <td>31 mA</td> <td>15 mA</td> </tr> <tr> <th colspan="2"></th> <th colspan="2">Nominal</th> </tr> <tr> <th></th> <th>24 V DC</th> <th>110 V AC</th> <th>230 V AC</th> </tr> <tr> <td>green</td> <td>3.6 W</td> <td>3.7 W</td> <td>3.7 W</td> </tr> <tr> <td>red</td> <td>2.6 W</td> <td>2.7 W</td> <td>2.8 W</td> </tr> <tr> <td>amber</td> <td>2.7 W</td> <td>2.8 W</td> <td>2.8 W</td> </tr> <tr> <td>blue</td> <td>3.2 W</td> <td>3.3 W</td> <td>3.3 W</td> </tr> <tr> <td>white</td> <td>3.3 W</td> <td>3.4 W</td> <td>3.5 W</td> </tr> </tbody> </table>	Steady LED		Nominal			24 V DC	110 V AC	230 V AC	green	150 mA	34 mA	16 mA	red	109 mA	25 mA	12 mA	amber	113 mA	26 mA	12 mA	blue	133 mA	30 mA	15 mA	white	139 mA	31 mA	15 mA			Nominal			24 V DC	110 V AC	230 V AC	green	3.6 W	3.7 W	3.7 W	red	2.6 W	2.7 W	2.8 W	amber	2.7 W	2.8 W	2.8 W	blue	3.2 W	3.3 W	3.3 W	white	3.3 W	3.4 W	3.5 W
Steady LED		Nominal																																																							
	24 V DC	110 V AC	230 V AC																																																						
green	150 mA	34 mA	16 mA																																																						
red	109 mA	25 mA	12 mA																																																						
amber	113 mA	26 mA	12 mA																																																						
blue	133 mA	30 mA	15 mA																																																						
white	139 mA	31 mA	15 mA																																																						
		Nominal																																																							
	24 V DC	110 V AC	230 V AC																																																						
green	3.6 W	3.7 W	3.7 W																																																						
red	2.6 W	2.7 W	2.8 W																																																						
amber	2.7 W	2.8 W	2.8 W																																																						
blue	3.2 W	3.3 W	3.3 W																																																						
white	3.3 W	3.4 W	3.5 W																																																						
Luminous characteristics																																																									
Version	<b>5 Joule Xenon Beacon</b>																																																								
Effective candela	Clear lens    49 cd																																																								
Luminous flux	not applicable																																																								
Flash energy	5 J																																																								
Flash rate	1 per second																																																								
Colour	<table border="1"> <tbody> <tr><td>green</td><td rowspan="9">colour pigmented polycarbonate lens</td></tr> <tr><td>red</td></tr> <tr><td>amber</td></tr> <tr><td>blue</td></tr> <tr><td>clear</td></tr> <tr><td>yellow</td></tr> <tr><td>opal</td></tr> <tr><td>magenta</td></tr> <tr><td>not applicable</td></tr> </tbody> </table>	green	colour pigmented polycarbonate lens	red	amber	blue	clear	yellow	opal	magenta	not applicable																																														
green	colour pigmented polycarbonate lens																																																								
red																																																									
amber																																																									
blue																																																									
clear																																																									
yellow																																																									
opal																																																									
magenta																																																									
not applicable																																																									
Status LED lifetime	not applicable																																																								
	<table border="1"> <thead> <tr> <th colspan="2">Steady LED</th> </tr> </thead> <tbody> <tr><td>green</td><td>51 cd</td></tr> <tr><td>red</td><td>37 cd</td></tr> <tr><td>amber</td><td>33 cd</td></tr> <tr><td>blue</td><td>20 cd</td></tr> <tr><td>white</td><td>72 cd</td></tr> <tr><td>green</td><td>45 lm</td></tr> <tr><td>red</td><td>44 lm</td></tr> <tr><td>amber</td><td>40 lm</td></tr> <tr><td>blue</td><td>24 lm</td></tr> <tr><td>white</td><td>72 lm</td></tr> <tr><td>--</td><td>--</td></tr> <tr><td>--</td><td>--</td></tr> <tr><td>green</td><td>505 nm</td></tr> <tr><td>red</td><td>625 nm</td></tr> <tr><td>amber</td><td>590 nm</td></tr> <tr><td>blue</td><td>475 nm</td></tr> <tr><td>white</td><td>Cx = 0.34, Cy = 0.33</td></tr> <tr><td>yellow</td><td rowspan="3">white LED under colour pigmented polycarbonate lens</td></tr> <tr><td>opal</td></tr> <tr><td>magenta</td></tr> <tr><td>100,000 hours</td><td></td></tr> </tbody> </table>	Steady LED		green	51 cd	red	37 cd	amber	33 cd	blue	20 cd	white	72 cd	green	45 lm	red	44 lm	amber	40 lm	blue	24 lm	white	72 lm	--	--	--	--	green	505 nm	red	625 nm	amber	590 nm	blue	475 nm	white	Cx = 0.34, Cy = 0.33	yellow	white LED under colour pigmented polycarbonate lens	opal	magenta	100,000 hours															
Steady LED																																																									
green	51 cd																																																								
red	37 cd																																																								
amber	33 cd																																																								
blue	20 cd																																																								
white	72 cd																																																								
green	45 lm																																																								
red	44 lm																																																								
amber	40 lm																																																								
blue	24 lm																																																								
white	72 lm																																																								
--	--																																																								
--	--																																																								
green	505 nm																																																								
red	625 nm																																																								
amber	590 nm																																																								
blue	475 nm																																																								
white	Cx = 0.34, Cy = 0.33																																																								
yellow	white LED under colour pigmented polycarbonate lens																																																								
opal																																																									
magenta																																																									
100,000 hours																																																									

# Multiple Status Indicators

## Series MEXE, MS25, MS35, MS45, MS55



### Technical Data

#### Electrical data

<b>Version</b>	<b>115 dB (A) Sounder</b>	
Rated operational voltage	24 V DC, 48 V DC, 115 V AC and 230 V AC operational parameters + or -10 %	
Rated operational current	24 V DC	300 mA
	48 V DC	160 mA
	115 V AC	80 mA
	230 V AC	45 mA

#### Acoustic data

<b>Version</b>	<b>115 dB (A) Sounder</b>	
Volume	115 dB(A) / 1 m Sound output for products gas groups IIC	
Alarm stages	2 stage alarm	
Sound selection	via DIL switch	
Sound signal selection	32 All sounders have 32 sound signal selections. From the 32 sound signals, any signal may be chosen as the first stage alarm and any signal for the second stage alarm. Sound output level and current consumption depends upon the signal selected.	

### Technical Data

#### Operating temperature range

Variants	24 V DC	48 V DC	115 V AC	230 V AC (100 ... 254 V AC)
FX15 xenon	-50 ... +70 °C	-50 ... +70 °C	-55 ... +55 °C	-55 ... +60 °C
FX15 LED	-60 ... +50 °C			(-60 ... +50 °C)
FX15 xenon + YA90 sounder	-50 ... +70 °C	-50 ... +70 °C	-55 ... +55 °C	-55 ... +60 °C
FX15 LED + YA90 sounder	-60 ... +50 °C	-60 ... +50 °C	-60 ... +50 °C	-60 ... +50 °C
FX15 xenon + FX15 LED	-50 ... +50 °C	-50 ... +50 °C	-55 ... +50 °C	-55 ... +50 °C
FX15 xenon + FX15 LED + YA90 sounder	-50 ... +50 °C	-50 ... +50 °C	-55 ... +50 °C	-55 ... +50 °C

E5

### Selection Table

Version	Gas group	Rated operational voltage	Positions and output options				Order number	Art. no.	Weight kg
2-way status indicator Series MS25, ATEX/IECEx version	IIC	24 V DC	1	LED status light	green	sun shield	<b>MS25/C-D-1-0-1-1-5G3-5R3</b>	<b>252252</b>	
			2	LED status light	red	sun shield			
		100 ... 254 V AC	1	LED status light	green	sun shield	<b>MS25/C-N-1-0-1-1-5G3-5R3</b>	<b>253808</b>	
			2	LED status light	red	sun shield			
3-way status indicator Series MS35, ATEX/IECEx version	IIC	24 V DC	1	LED status light	green	sun shield	<b>MS35/C-D-1-0-1-1-5G3-5A3-5R3</b>	<b>252120</b>	
			2	LED status light	amber	sun shield			
			3	LED status light	red	sun shield			
		100 ... 254 V AC	1	LED status light	green	sun shield	<b>MS35/C-N-1-0-1-1-5G3-5A3-5R3</b>	<b>252119</b>	
			2	LED status light	amber	sun shield			
			3	LED status light	red	sun shield			
4-way status indicator Series MS45, ATEX/IECEx version	IIC	24 V DC	1	LED status light	blue	sun shield	<b>MS45/C-D-1-0-1-1-5B3-5G3-5A3-5R3</b>	<b>252118</b>	
			2	LED status light	green	sun shield			
			3	LED status light	amber	sun shield			
			4	LED status light	red	sun shield			
		100 ... 254 V AC	1	LED status light	blue	sun shield	<b>MS45/C-N-1-0-1-1-5B3-5G3-5A3-5R3</b>	<b>252117</b>	
			2	LED status light	green	sun shield			
			3	LED status light	amber	sun shield			
			4	LED status light	red	sun shield			

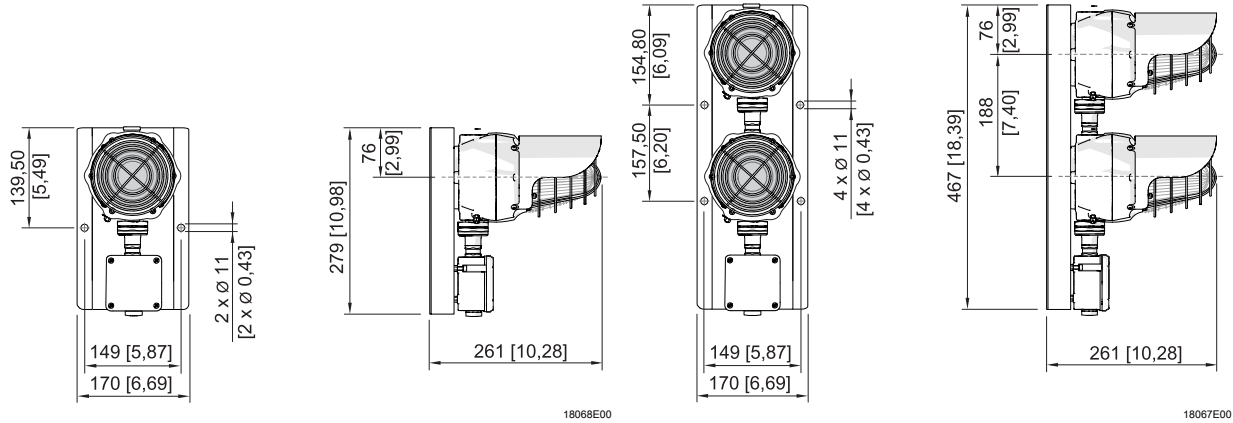


# Multiple Status Indicators

## Series MEXE, MS25, MS35, MS45, MS55

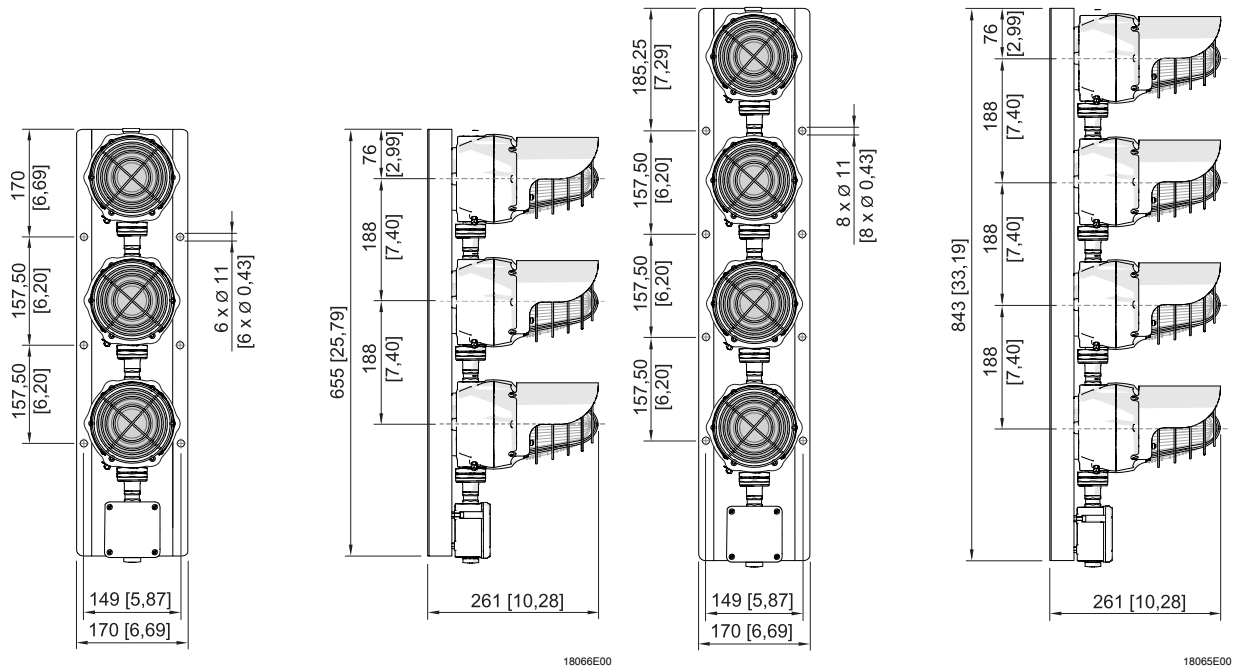


Dimensional Drawings (All Dimensions in mm [inches] - Subject to Alterations)



1-Way Status Indicator with Sun Shields Series MEXE

2-Way Status Indicator with Sun Shields Series MS25



3-Way Status Indicator with Sun Shields Series MS35

4-Way Status Indicator with Sun Shields Series MS45

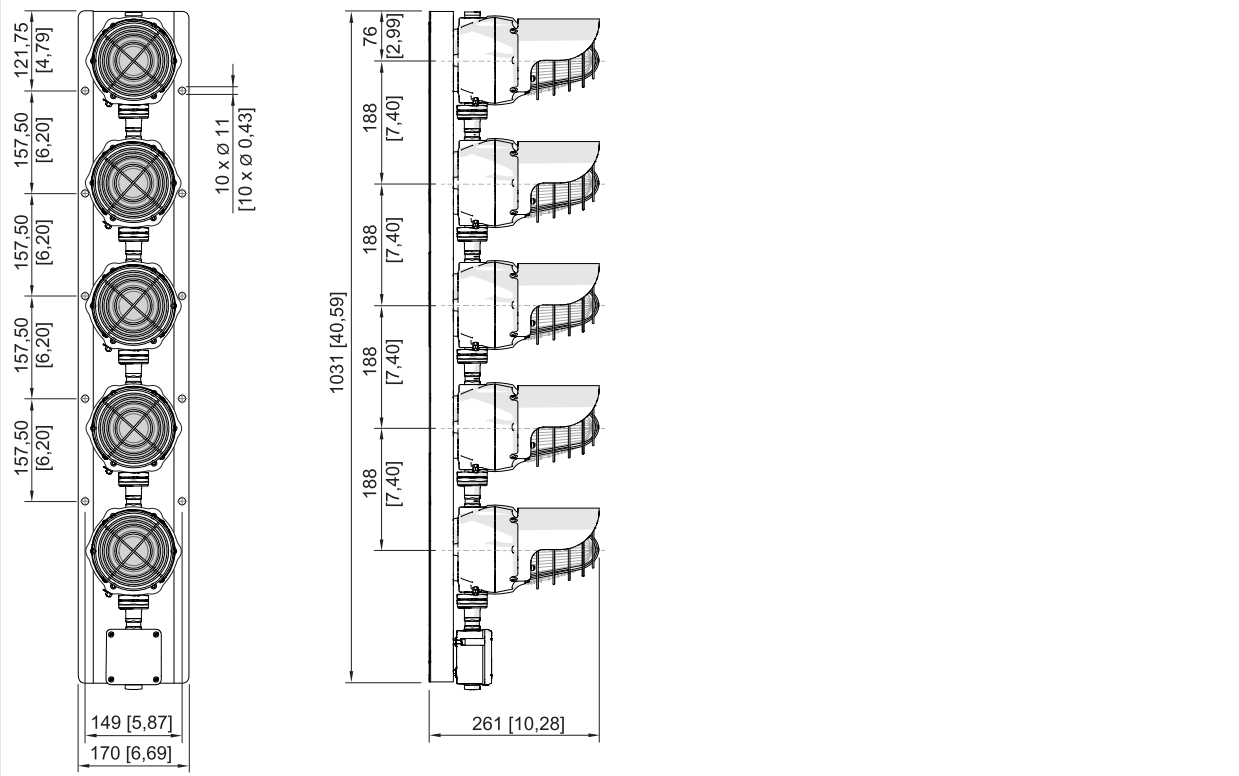
E5

# Multiple Status Indicators

## Series MEXE, MS25, MS35, MS45, MS55



**Dimensional Drawings** (All Dimensions in mm [inches] - Subject to Alterations)



18064E00

**5-Way Status Indicator with Sun Shields Series MS55**

We reserve the right to make alterations to the technical data, dimensions, weights, designs and products available without notice. The illustrations cannot be considered binding.