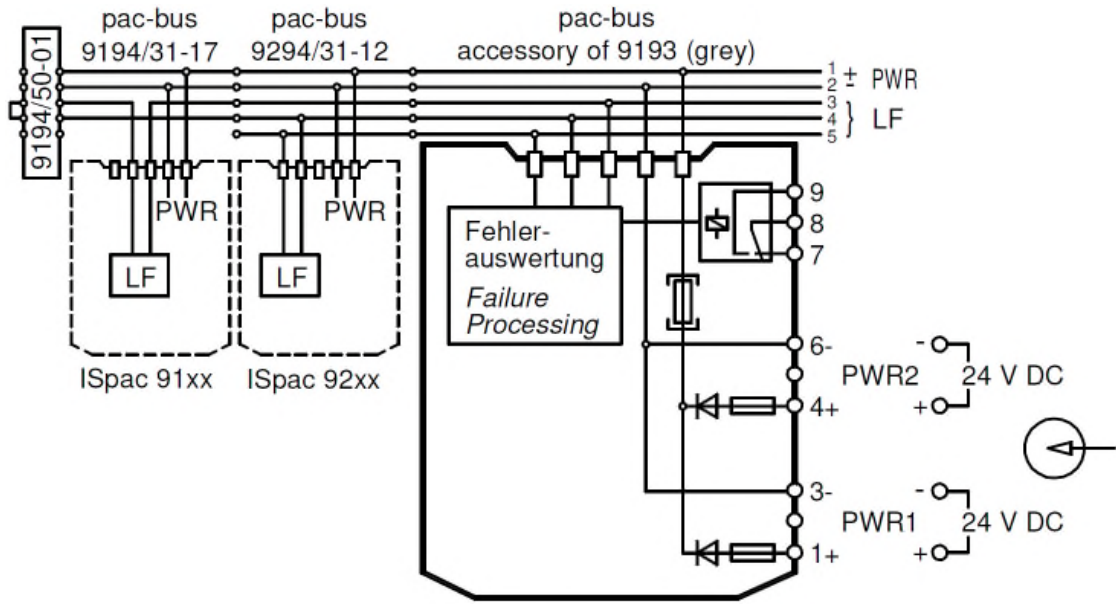


The copying, distribution and utilization of this document as well as the communication of its contents to others without expressed authorization is prohibited. Offenders will be held liable for the payment of damages. All rights reserved in the event of the grant of a patent, utility model or ornamental design registration.

Type 9193/21-11-11
(redundant power supply)



The Supply Module is a nonincendive apparatus for installation in Non-Hazardous, Class I, Division 2 or Zone 2, Hazardous (Classified) Locations.

Notes:

1. Installation should be in accordance with Article 504/505 of the National Electrical Code, ANSI/NFPA 70 and ANSI/ISA RP 12.06.01.
2. Installation in Canada should be in accordance with the Canadian Electrical Code, CSA C22.1, Part 1, Appendix F.
3. Use a general purpose enclosure meeting the requirements of IEC 61010-1 for use in Non-Hazardous or Class I, Division 2, Hazardous (Classified) Locations.
4. Use an FM Approved Dust-ignition proof enclosure appropriate for environmental protection in Class II, Division 1, Groups E, F and G; and Class III, Hazardous (Classified) Locations. (Dust assessment is not part of certificates FM16US0122X / FM16CA0067X)
5. Consider the Specific Conditions of Use as per US certificate (FM16US0122X) and Canadian certificate (FM16CA0067X).
6. Ambient temperature: -40°C ... +70°C (any mounting position)

WARNING: Do not disconnect equipment when a flammable or combustible atmosphere is present.
 AVERTISSEMENT: Ne pas débrancher l'équipement en présence d'atmosphère inflammable ou combustible.

F 4830 503 G

Weitergabe sowie Vervielfältigung dieser Unterlagen, Verwertung und Mitteilung ihres Inhaltes nicht gestattet, soweit nicht ausdrücklich zugegeben. Zuwiderhandlungen verpflichten zu Schadenersatz. Alle Rechte für den Fall der Patenterteilung oder GK-Eintragung vorbehalten.

The safety relevant statements of this document may be transferred into the operating instructions. Transferring the text, editorial changes of equivalent meaning are allowed.

	2022	Date	Name	Certification drawing	Scale
	drawn	02.12.	Reistle		none
	checked		Müller		Sheet
				Supply Module	1 of 1
				Type 9193/21-11-11	Agency
				91 936 02 31 1	FM
Version	Date	Name		Ers. f.	Ers. d.
					A4

