



- Versatile use: single core, multicore and data cables
- Versions: screwable, pluggable
- Spare insert available for pluggable version
- Standard thread sizes according to EN 62444
- Connection cross-section up to max. 70 mm<sup>2</sup>
- Service temperature up to max. +125 °C

MY R. STAHL 8177A, 8177B



Cable feedthroughs are Ex components that connect electrical equipment within flameproof enclosures to external electrical circuits.

Cable feedthroughs – installed in a flameproof enclosure – ensure the flameproof and explosion proof protection of the enclosures.

The connection is made between two flameproof enclosures or a flameproof enclosure and an enclosure with a different type of protection, e.g. increased safety.

They are approved for use in Zone 1 and 2 hazardous areas.

The 8177/1 cable feedthrough consists of a sleeve in which a single core or multicore or data cable is crimped and protected against ignition. The sleeve is available in a pluggable version with a cylindrical gap and in a screwable version with a thread.

#### **Screwable feedthrough, 8177/1-1:**

- Is screwed directly into the enclosure wall
- Particularly suitable when space is limited.
- Webcode 8177A

#### **Pluggable feedthrough, 8177/1-3, pluggable spare insert, 8177/1-8:**

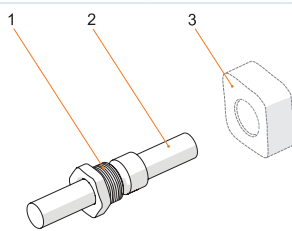
- Fastening in the enclosure wall via a threaded piece in which the sleeve is held by a locking ring. Alternatively, a spare insert can be fastened in the threaded piece for later fixing of the cable.
- Easy to install, as the sleeve is only inserted into the threaded piece and secured; no twisting of the cable. Therefore, it is mainly used when long conductors and large cable cross-sections are required.
- Threaded piece available as an accessory
- Webcode 8177B

## Cable Feedthrough Series 8177

Versions can be configured with the following features. For technical reasons, not all combinations are technically feasible. We would be happy to provide information on this.

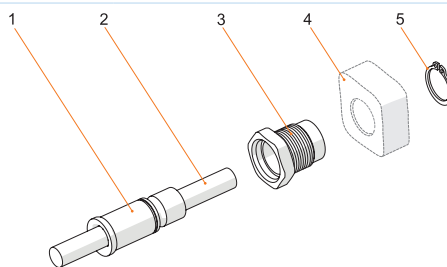
Variant	Sleeve installation dimensions	Installation dimensions of threaded piece Enclosure	Sleeve material	Material of threaded piece and spare insert	possible conductor types <sup>1)</sup>	possible connection cross-sections	possible conductor lengths on each side
Screwable cable feedthrough 8177/1-1	M10 x 1,5	—	Stainless steel	—	<b>Single core (1 core):</b> A01: Rubber A02: Silicone <b>Multicore cable (1 to 99 cores):</b> M01: PVC M02/M04: Silicone M03: Special polymer UL <b>Data cable (1x2 to 14x2 cores):</b> SUPER-PAAR-TRONIC-C-PUR PROFInet type A SUPER-PAAR-TRONIC 340-C-PUR	0.75 to 70 mm <sup>2</sup>	0.1 m to 2.5 m
	M12 x 1,5						
	M16 x 1,5						
	M20 x 1,5						
	M25 x 1,5						
	M32 x 1,5						
	M40 x 1,5						
M50 x 1,5							
Pluggable cable feedthrough 8177/1-3	Ø12	M16 x 1,5	Stainless steel	brass	<b>Single core (1 core):</b> A01: Rubber A02: Silicone <b>Multicore cable (1 to 99 cores):</b> M01: PVC M02/M04: Silicone M03: Special polymer UL <b>Data cable (1x2 to 14x2 cores):</b> SUPER-PAAR-TRONIC-C-PUR PROFInet type A SUPER-PAAR-TRONIC 340-C-PUR	0.75 to 70 mm <sup>2</sup>	0.1 m to 2.5 m
	Ø16	M20 x 1,5					
	Ø20	M25 x 1,5					
	Ø25	M32 x 1,5					
	Ø32	M40 x 1,5					
	Ø40	M50 x 1,5					
	Ø50	M63 x 1,5					
Pluggable spare insert 8177/1-8	Ø12	M16 x 1,5	—	brass	—	—	—
	Ø16	M20 x 1,5					
	Ø20	M25 x 1,5					
	Ø25	M32 x 1,5					
	Ø32	M40 x 1,5					
	Ø40	M50 x 1,5					
	Ø50	M63 x 1,5					

<sup>1)</sup> The conductors are grouped according to their technical properties (A01, A02, M01, etc.). Refer to the data sheet of the conductor group for more details about the conductors.



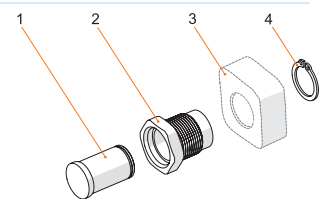
### Mounting screwable feedthrough

- 1 = sleeve, screwable
- 2 = conductor
- 3 = enclosure wall Ex d



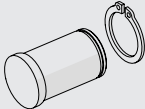
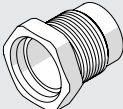
### Installation of pluggable feedthrough

- 1 = pluggable sleeve
- 2 = conductor
- 3 = threaded piece
- 4 = Ex d enclosure wall
- 5 = locking ring



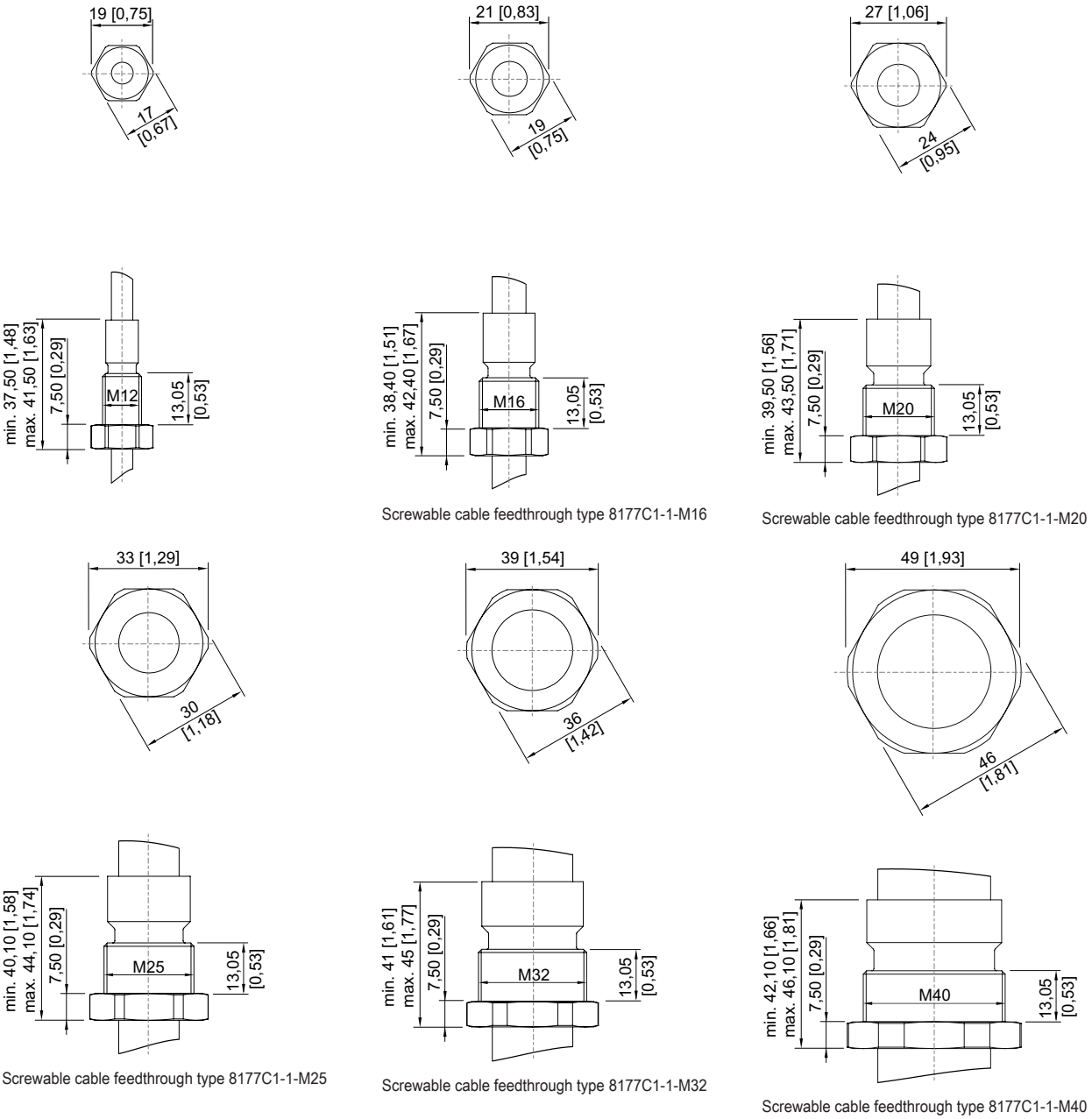
### Installation of pluggable spare insert

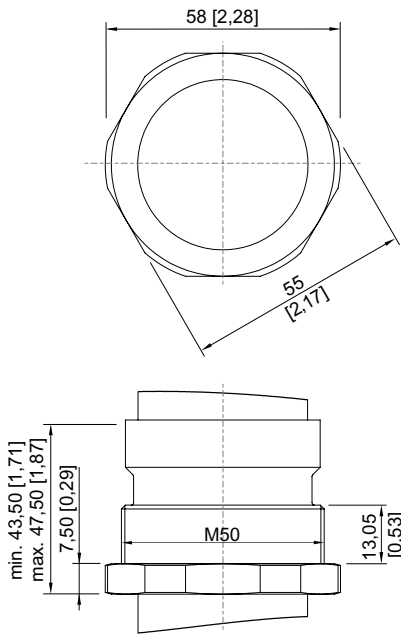
- 1 = pluggable sleeve
- 2 = threaded piece
- 3 = Ex d enclosure wall
- 4 = locking ring

Accessories				
Figure	Description	Art. No.	PS	Weight
<b>Spare insert; pluggable</b>				
	Sleeve size: Ø12, Brass Threaded piece included: no	293221	99	-
	Sleeve size: Ø16, Brass Threaded piece included: no	293222	99	-
	Sleeve size: Ø20, Brass Threaded piece included: no	293223	99	-
	Sleeve size: Ø25, Brass Threaded piece included: no	293224	99	-
	Sleeve size: Ø32, Brass Threaded piece included: no	293225	99	-
	Sleeve size: Ø40, Brass Threaded piece included: no	293226	99	-
	Sleeve size: Ø50, Brass Threaded piece included: no	293227	99	-
<b>Threaded piece; brass; screwable</b>				
	Sleeve size: Ø12 Enclosure installation dimensions: M16 x 1,5	270267	99	20 g
	Sleeve size: Ø16 Enclosure installation dimensions: M20 x 1,5	270268	99	21 g
	Sleeve size: Ø20 Enclosure installation dimensions: M25 x 1,5	270269	99	30 g
	Sleeve size: Ø25 Enclosure installation dimensions: M32 x 1,5	270270	99	51 g
	Sleeve size: Ø32 Enclosure installation dimensions: M40 x 1,5	270271	99	82 g
	Sleeve size: Ø40 Enclosure installation dimensions: M50 x 1,5	270272	99	129 g
	Sleeve size: Ø50 Enclosure installation dimensions: M63 x 1,5	270273	99	194 g

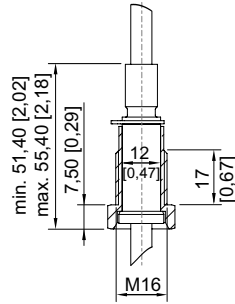
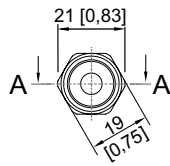
Accessories only available once the cable glands have been approved for direct sale.

Dimensional Drawings (All Dimensions in mm [inches]) – Subject to Alterations

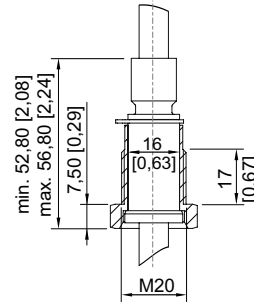
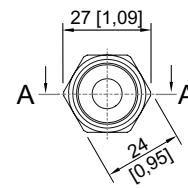




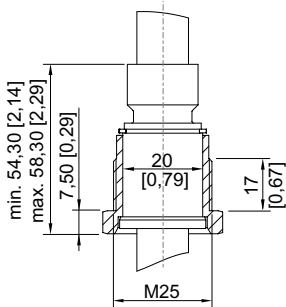
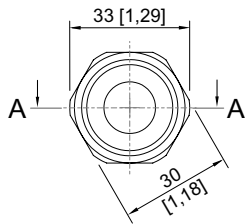
Screwable cable feedthrough type 8177C1-1-M50



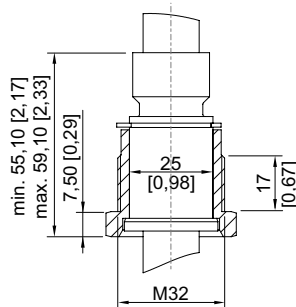
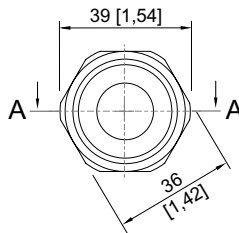
Pluggable cable feedthrough Type 8177C1-3-D12



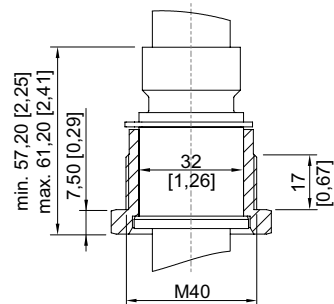
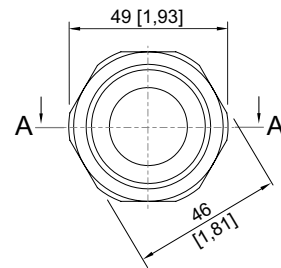
Screwable cable feedthrough type 8177C1-3-D16



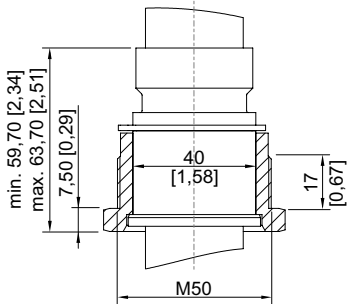
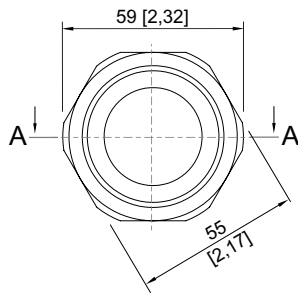
Screwable cable feedthrough type 8177C1-3-D20



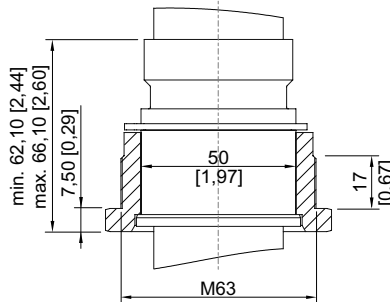
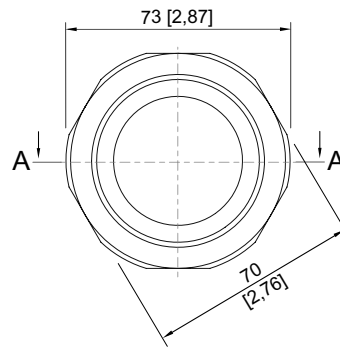
Screwable cable feedthrough type 8177C1-3-D25



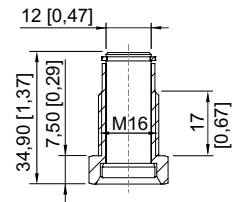
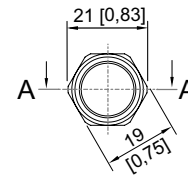
Screwable cable feedthrough type 8177C1-3-D32



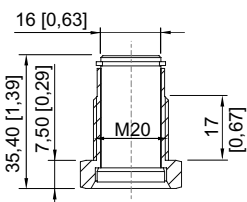
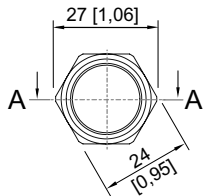
Screwable cable feedthrough type 8177C1-3-D40



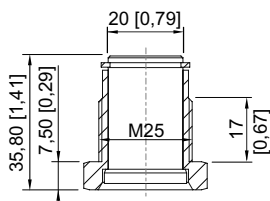
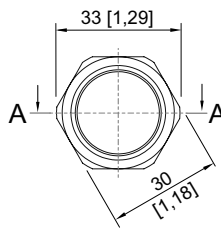
Screwable cable feedthrough type 8177C1-3-D50



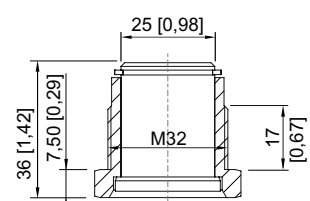
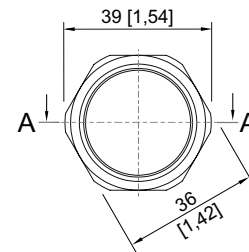
Screwable spare insert with standard threaded piece 8177C1-8-D12



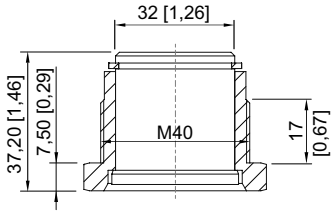
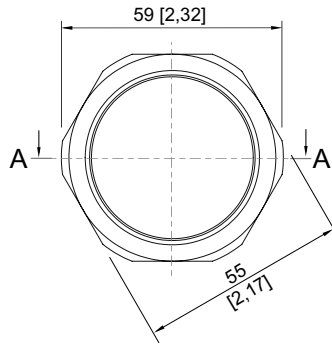
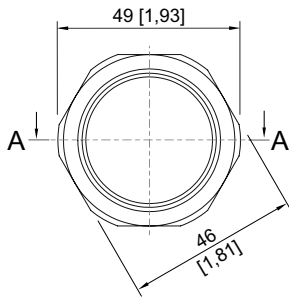
Screwable spare insert with standard threaded piece 8177C1-8-D16



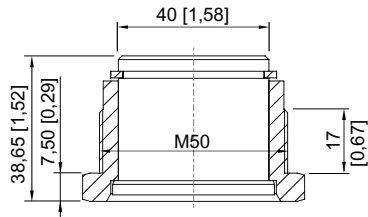
Screwable spare insert with standard threaded piece 8177C1-8-D20



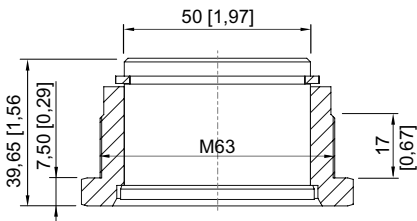
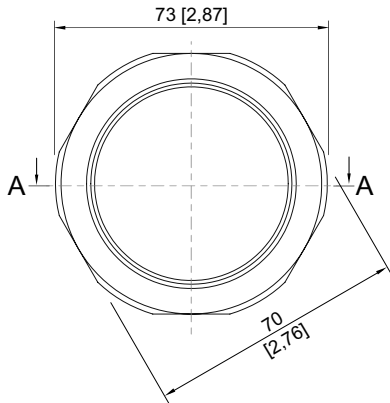
Screwable spare insert with standard threaded piece 8177C1-8-D25



Screwable spare insert with standard threaded piece  
8177C1-8-D32



Screwable spare insert with standard threaded piece  
8177C1-8-D40



Screwable spare insert with standard threaded piece  
8177C1-8-D50