

WALL BRACKET EC-940-PTZ

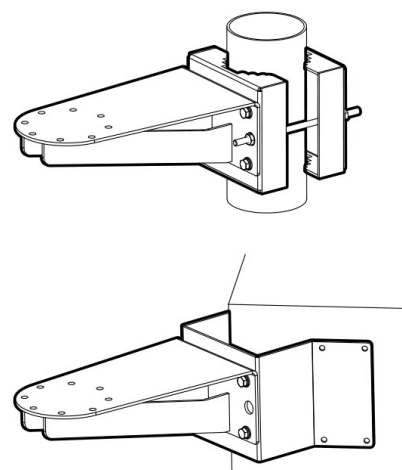
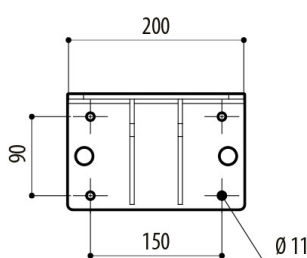
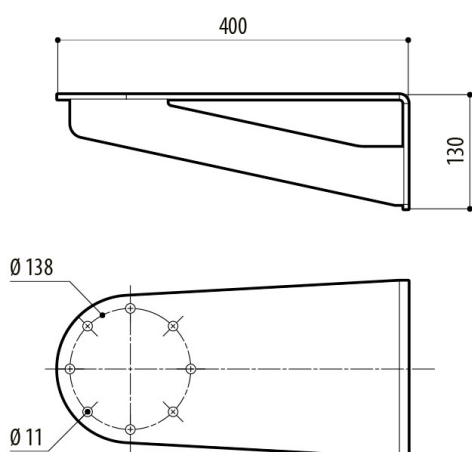
Order No. 251364

Made of AISI 316L electropolished stainless steel
Can be coupled with modular **251363** and **251362** components

Load rating:	40kg (88lb)
Length:	400mm (15.7in)
Unit weight:	5.2kg (11.5lb)
Package weight:	6.1kg (13.5lb)
Package dimensions (WxHxL):	43.5x42x20cm (17x16.5x8in)



Size in millimeters



PARAPET MOUNTING BRACKET EC-940-PTZ

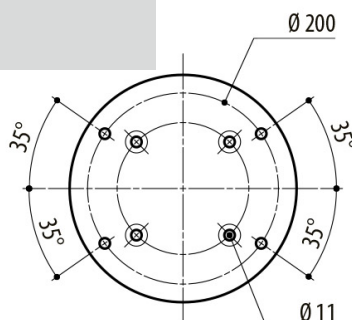
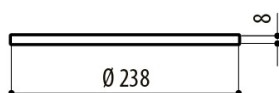
Order No. 251365

Made of AISI 316L electropolished stainless steel

Load rating:	40kg (88lb)
Dimensions:	Ø 238mm (9.4in)
Unit weight:	2.8kg (6.2lb)
Package weight:	3.2kg (7.1lb)
Package dimensions (WxHxL):	33x27x6.5cm (13x11.5x2.4in)



Size in millimeters



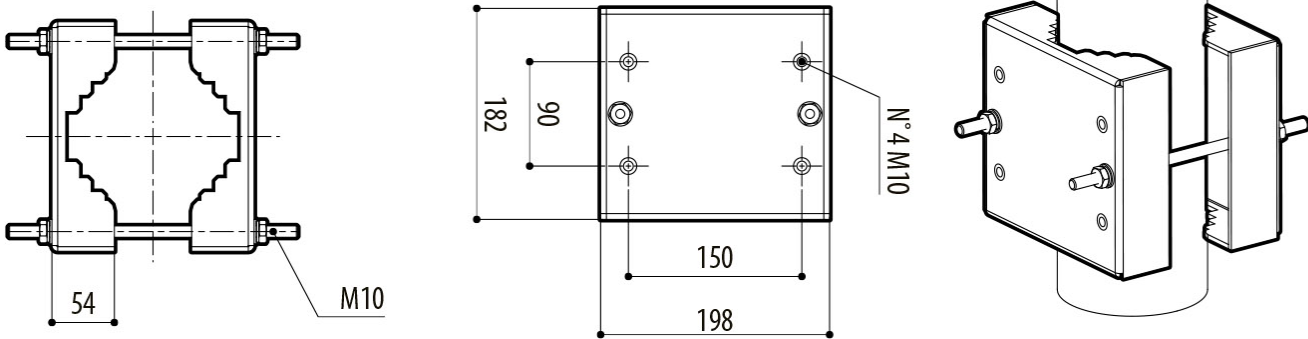
POLE ADAPTER MODULE EC-940-PTZ

Order No. 251362

Made of AISI 316L electropolished stainless steel
 For pole diameters: 110-150mm (4.3-5.9in)
 Load rating: 50kg (110lb)
 Dimensions: 198x182mm (7.8x7.2in)
 Unit weight: 4.5kg (9.9lb)
 Package weight: 4.9kg (10.8lb)
 Package dimensions (WxHxL): 24x15x21 cm (9.4x6x8.5in)



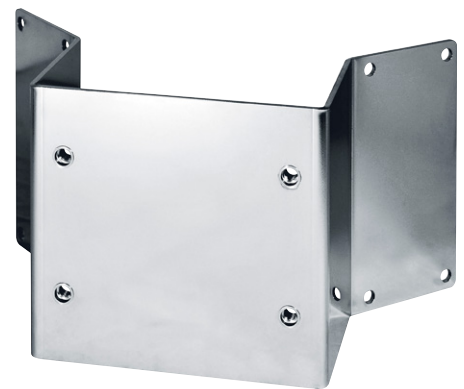
Size in millimeters



CORNER ADAPTER MODULE EC-940-PTZ

Order No. 251363

Made of AISI 316L electropolished stainless steel
 Load rating: 50kg (110lb)
 Dimensions: 335x186mm (13.2x7.3in)
 Unit weight: 3.6kg (7.9lb)
 Package weight: 4.8kg (10.6lb)
 Package dimensions (WxHxL): 36.5x25.5x26 cm (14.4x10x10.2in)



Size in millimeters

