

Capillary Tube Thermostat

Series TEF 1058

TRANBERG®

STAHL

www.stahl.de



13920E00

- > High degree of protection
IP66/67 is standard,
IP68 can be delivered
upon request
- > Drainage flange in box prevents
penetration of water
- > Manufactured in acid proof
stainless steel (AISI 316L)
- > Tailor made size and
performance is possible
- > Stainless steel type label spot
welded to the cover
- > Several earthing alternatives
- > Maximum strength and
corrosion resistance
- > Low lifetime maintenance cost



The TEF 1058 are used for a wide range of installations, normal solutions are: Electro, instrument, telecom market, ESD's, control stations i. e.

	ATEX					
Zone	0	1	2	20	21	22
For use in		x	x			

Explosion Protection

Europe (ATEX)

Gas and dust | NEMKO 01ATEX097
 II 2 GD EEx ed IIC T6

Certificates and approvals

Certificates | ATEX

WebCode T1058D

E6

Capillary Tube Thermostat

Series TEF 1058



Selection Table

Version	Dimensions	Equipped with	Measuring range	Order number
Pipe mounted capillary tube thermostat	140x112x85 mm (HxWxD)	1 x M25 Cable gland Type: E204/3B/M25 1 x M25 Drain plug 2 x Earth terminals 4 mm ² 6 x Terminals 4 mm ² 1 x Label kit 1 x Label kit 1 x DBI-DUT	-20 ... +50 °C	TEF10581660
			0 ... 100 °C	TEF10581661
			0 ... 200 °C	TEF10581662
	180x218x100 mm (HxWxD)	6 x M25 Stopping plugs in box 2 x M25 Stopping plugs in transition unit 1 x M25 Cable gland Type: E204/3B/M25 1 x M25 Drain plug 4 x Earth terminals PHOENIX USLKG6N 9 x Terminals PHOENIX UK5N 1 x Label kit	-20 ... +50 °C	TEF10583560
			0 ... 100 °C	TEF10583561
			0 ... 200 °C	TEF10583562
Wall mounted capillary tube thermostat	140x112x85 mm (HxWxD)	1 x M25 Cable gland Type: E204/3B/M25 1 x M25 Drain plug 2 x Earth terminals 4 mm ² 6 x Terminals 4 mm ² 1 x Label kit	-20 ... +50 °C	TEF10581680
			0 ... 100 °C	TEF10581681
			0 ... 200 °C	TEF10581682
	180x218x100 mm (HxWxD)	8 x M25 Stopping plugs in box 1 x M25 Cable gland Type: E204/3B/M25 1 x M25 Drain plug 4 x Earth terminals PHOENIX USLKG6N 9 x Terminals PHOENIX UK5N 1 x Label kit	50 ... 300 °C	TEF10581683
			-20 ... +50 °C	TEF10583580
			0 ... 100 °C	TEF10583581
			0 ... 200 °C	TEF10583582
			50 ... 300 °C	TEF10583583

Technical Data

Electrical data

Rated operational voltage	250 V AC
Switching capacity	16 A / 250 V AC
Contact arrangement	1 change-over switch

Mechanical data

Enclosure material	AISI 316L / EN1.4404, electro polished
Degree of protection	IP66 / IP67
Capillar tube	
Length	1 m
Diameter	1.5 mm
Weight	4.5 kg

Capillary Tube Thermostat

Series TEF 1058

TRANBERG®

STAHL

Accessories and Spare Parts

Designation	Designation	Description	Order number
Pipe mounted capillary tube thermostat (140x112x85 mm)	Cable gland for power cable	E204 / 3B / M25 - 9 mm; \varnothing 13 ... 17.1 mm; with lock nut	TEF9147118
		E204 / 3A / M25 - 9 mm; \varnothing 14.1 ... 20.1 mm; with lock nut	TEF9147119
	Connection kit	for Thermon cables BSX and VSX, gasket 5 x 13	TEF9177217
		for Thermon cables TSX and RSX, gasket 5 x 15	TEF9177218
		for Thermon cables KSX and HTSX, gasket 5 x 11	TEF9177223
Pipe mounted capillary tube thermostat (180x218x100 mm)	Cable gland for power cable	E204 / 3B / M25 - 9 mm; \varnothing 13 ... 17.1 mm; with lock nut	TEF9147118
		E204 / 3A / M25 - 9 mm; \varnothing 14.1 ... 20.1 mm; with lock nut	TEF9147119
	Connection kit	for Thermon cables BSX and VSX, gasket 5 x 13	TEF9177217
		for Thermon cables TSX and RSX, gasket 5 x 15	TEF9177218
		for Thermon cables KSX and HTSX, gasket 5 x 11	TEF9177223
Wall mounted capillary tube thermostat (140x112x85 mm)	Adapter	for flexible conduit	TEF50791115
	Cable gland for power cable	E204 / 3B / M25 - 9 mm; \varnothing 13 ... 17.1 mm; with lock nut	TEF9147118
		E204 / 3A / M25 - 9 mm; \varnothing 14.1 ... 20.1 mm; with lock nut	TEF9147119
	Connection kit	for Thermon cables BSX and VSX, gasket 5 x 13	TEF9177203
		for Thermon cables TSX and RSX, gasket 5 x 15	TEF9177204
		for Thermon cables KSX and HTSX, gasket 5 x 11	TEF9177224
	Flexible conduit	SS316; inner diam. 18.8 mm, outer diam. 22.3 mm; length: 2 m	TEF7000080
SS316; inner diam. 18.8 mm, outer diam. 22.3 mm; length: 25 m		TEF7000081	
Wall mounted capillary tube thermostat (180x218x100 mm)	Adapter	for flexible conduit	TEF50791115
	Cable gland for power cable	E204 / 3B / M25 - 9 mm; \varnothing 13 ... 17.1 mm; with lock nut	TEF9147118
		E204 / 3A / M25 - 9 mm; \varnothing 14.1 ... 20.1 mm; with lock nut	TEF9147119
	Connection kit	for Thermon cables BSX and VSX, gasket 5 x 13	TEF9177203
		for Thermon cables TSX and RSX, gasket 5 x 15	TEF9177204
		for Thermon cables KSX and HTSX, gasket 5 x 11	TEF9177224
	Flexible conduit	SS316; inner diam. 18.8 mm, outer diam. 22.3 mm; length: 2 m	TEF7000080
SS316; inner diam. 18.8 mm, outer diam. 22.3 mm; length: 25 m		TEF7000081	

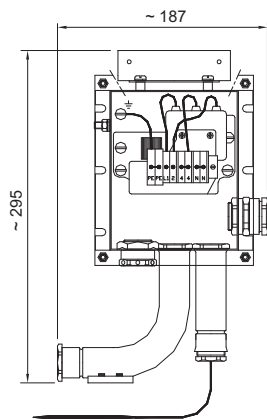
E6

Capillary Tube Thermostat

Series TEF 1058

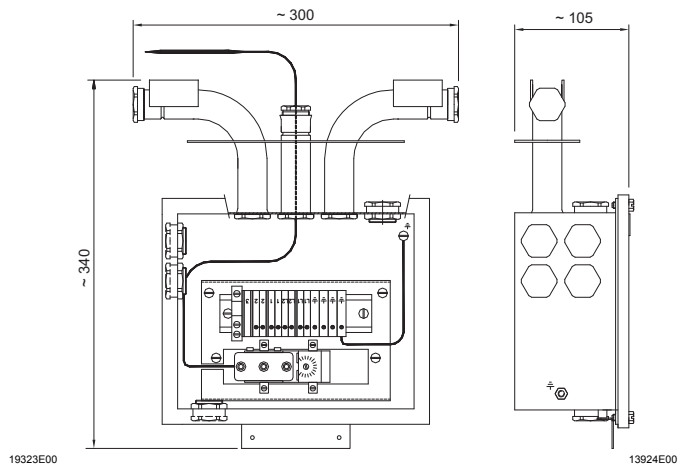


Dimensional Drawings (All Dimensions in mm) - Subject to Alterations



140x112x85 mm

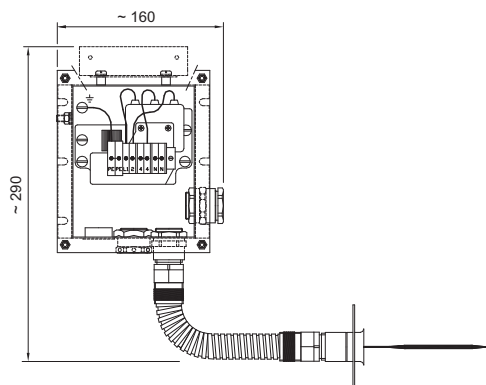
Pipe mounted electronic thermostat



19323E00

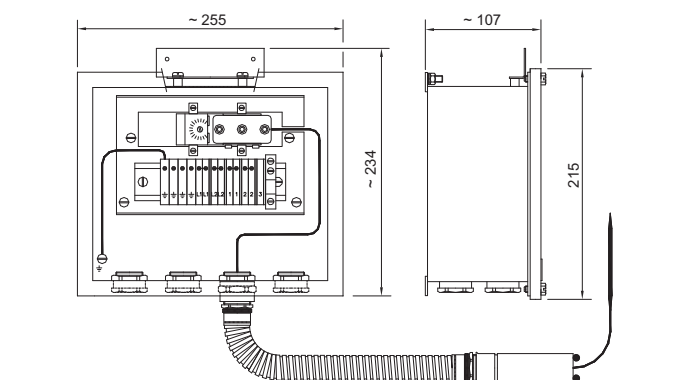
180x218x100 mm

13924E00



140x112x85 mm

Wall mounted electronic thermostat



13928E00

180x218x100 mm

13929E00

We reserve the right to make alterations to the technical data, dimensions, weights, designs and products available without notice. The illustrations cannot be considered binding.