



# Installation Manual



Module exchange

Device platform SHARK  
ET-xx8 / MT-xx8



THE STRONGEST LINK.

HW-Rev. ET-xx8: 01.00.00 / 01.01.0x  
HW-Rev. MT-xx8: 01.00.00 / 01.01.0x

Installation Manual version: 01.00.02  
Issue: 09.07.2020

## Disclaimer

Publisher and copyright holder:

R. STAHL HMI Systems GmbH  
Adolf-Grimme-Allee 8  
D 50829 Cologne

Telephone:	(Sales Support)	+49 221 768 06	- 1000
	(Technical Support)		- 5000
Fax:			- 4100
E-mail:	(Sales Support)	<a href="mailto:sales.dehm@r-stahl.com">sales.dehm@r-stahl.com</a>	
	(Technical Support)	<a href="mailto:support.dehm@r-stahl.com">support.dehm@r-stahl.com</a>	

- All rights reserved.
- This document may not be reproduced in whole or in part except with the written consent of the publisher.
- Subject to alterations.

Any warranty claims are limited to the right to demand amendments. Liability for any damage that might result from the contents of these instructions or all other documentation is limited to clear cases of premeditation.

We reserve the right to change our products and their specifications at any time, provided it is in the interest of technical progress. The information in the current manual (online or on CD / DVD / USB stick) or in the operating instructions included in the delivery applies.

### Trademark








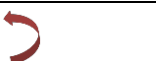


The terms and names used in this document are registered trademarks and / or products of the companies in question.

Copyright © 2020 by R. STAHL HMI Systems GmbH. Subject to alterations.

## Table of contents

	Description	Page
	Disclaimer	2
	Table of contents	3
1	Legend	4
2	Tools	4
3	General information	4
4	Module exchange - Step by step	5
4.1	VESA 200 Standard	5
4.1.1	Dismounting	5
4.1.2	Mounting	7
4.2	VESA 200 Top Connect	9
4.2.1	Dismounting	9
4.2.2	Mounting	11
5	Release notes	13


# 1 Legend

Symbol	Meaning
	Component
	Sub component
	Process step
	Process step, subordinate position
	Order in which screws are tightened
	Direction of movement or position
	Process step, order, cut-out position (with or without arrow)
	Cut-out, enlarged partial view
	Turning movement, turning direction
	Important note, must be complied with


# 2 Tools




- 1x Phillips screwdriver size 2
- 1x Torx wrench TX 30

 <b>NOTE</b>	Tools are not included in the delivery and must be supplied by customer.
---	--

# 3 General information

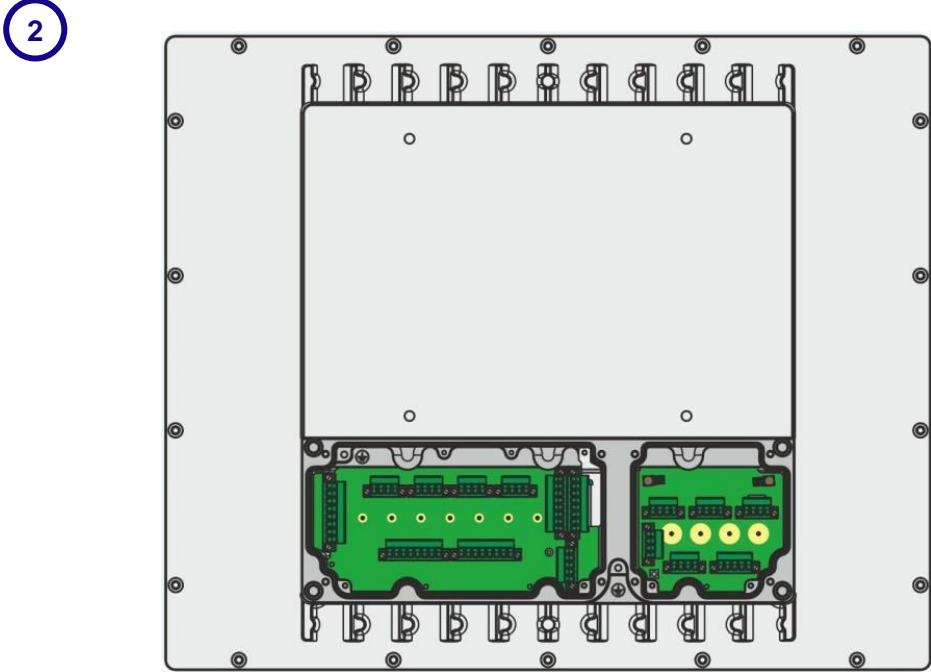
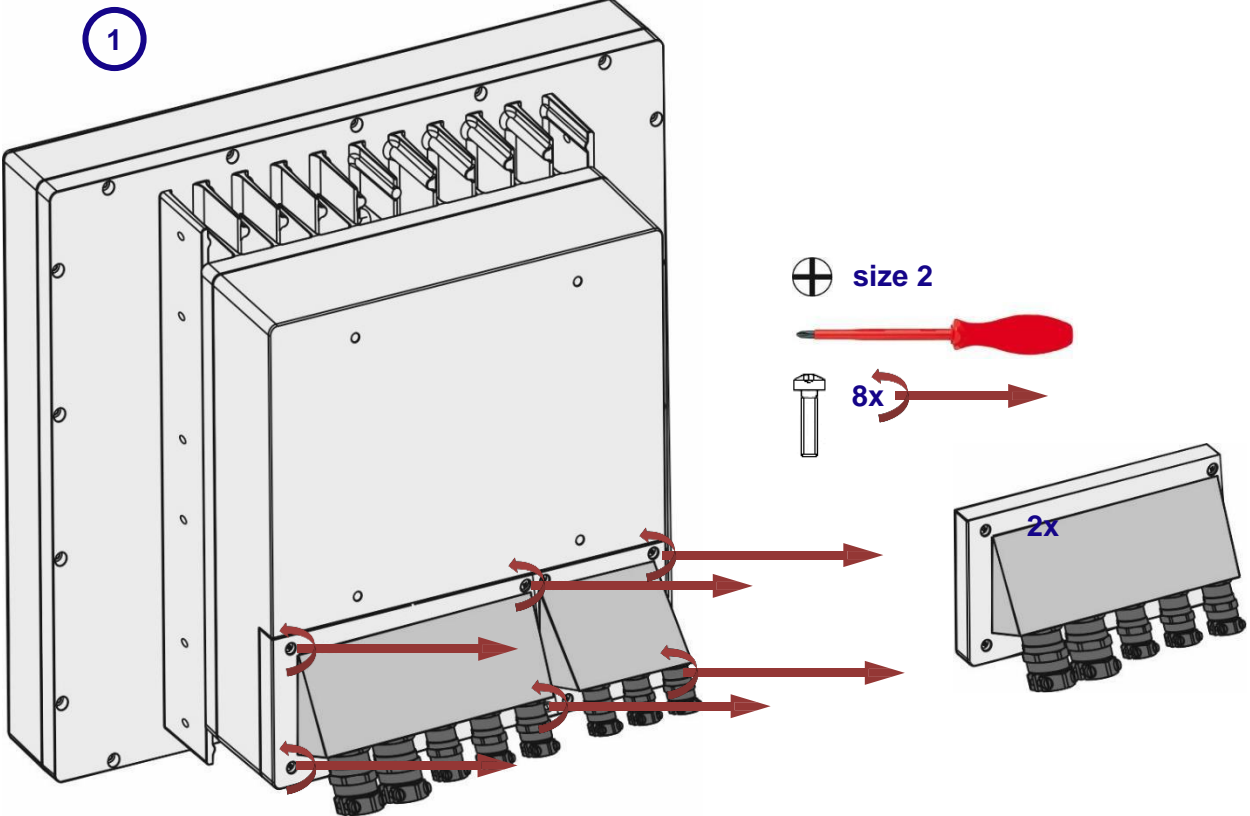
 <b>NOTE</b>	If not otherwise specified, exchange of modules for devices x38 and x98 is carried out in the same way.
---	---

 <b>NOTE</b>	<p>If the device is installed, connected and in operation on site, the device must first be taken out of operation.</p> <p>Then all cable connections must be disconnected. Make sure that the wires are de-energised !</p> <p>Disassemble the device and all additional mounting parts !</p>
---	---

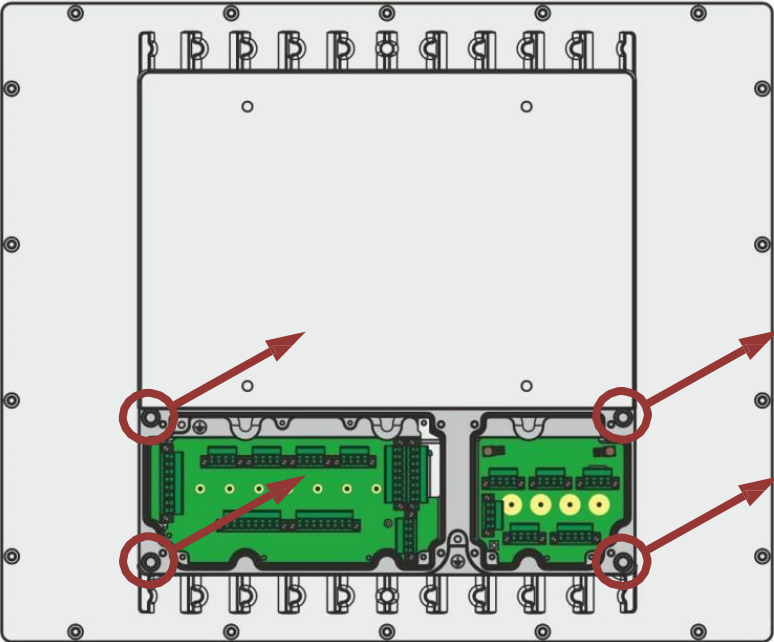
# 4 Module exchange - Step by step

## 4.1 VESA 200 Standard

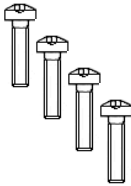
### 4.1.1 Dismounting



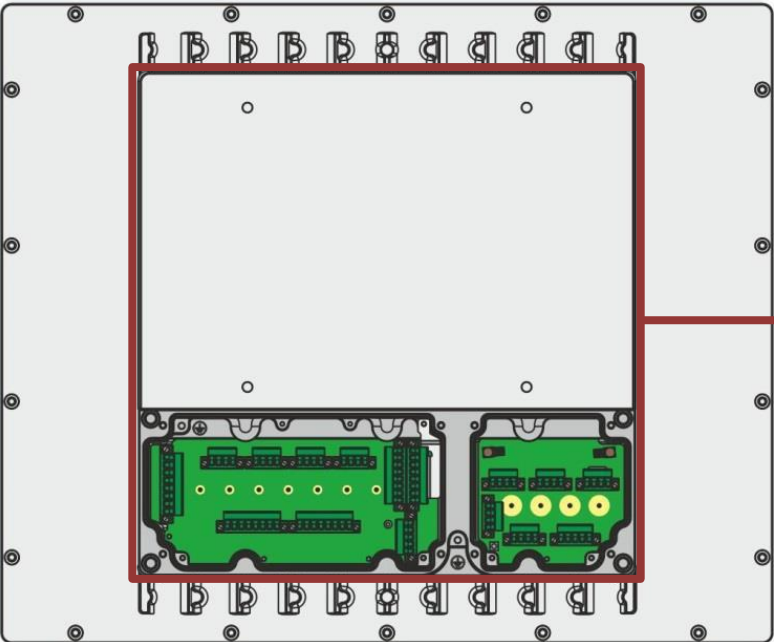
3



4x



4



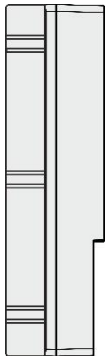
Lift in parallel

5

Display box

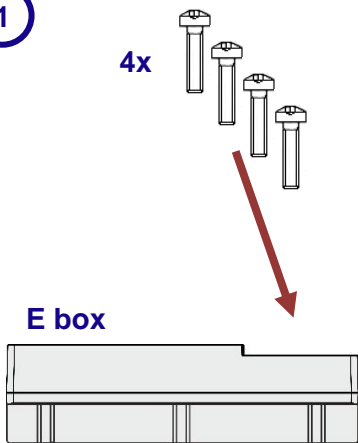


E box

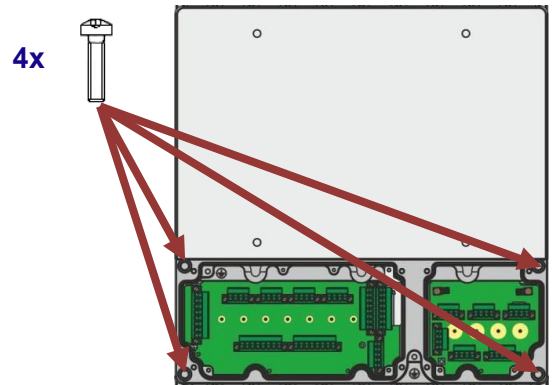


4.1.2 Mounting

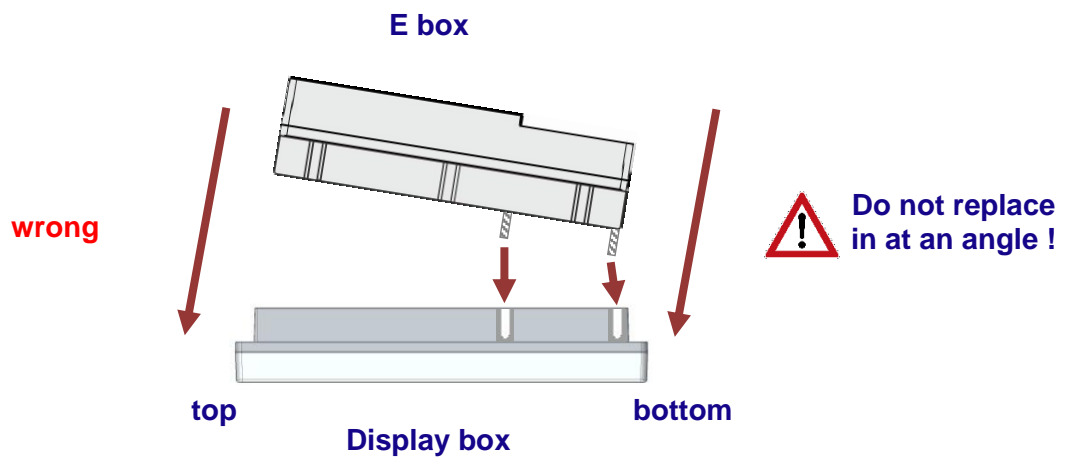
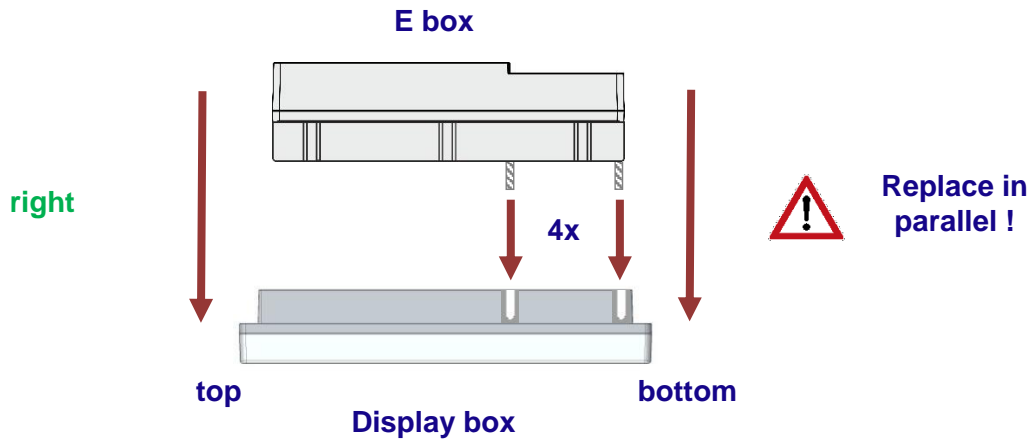
1



1a

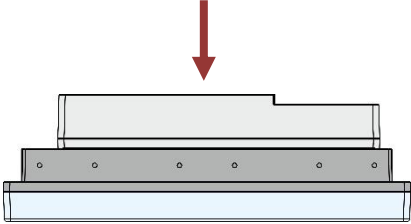


2

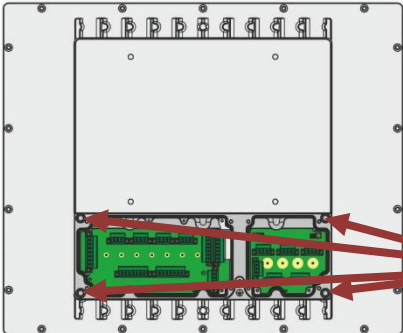


3

push

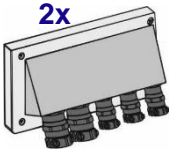
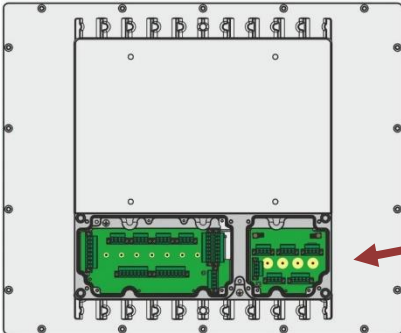


4

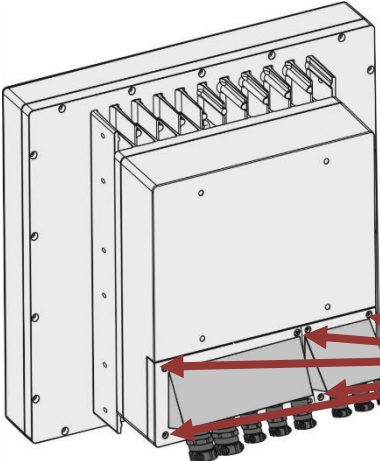


tigthing torque: 10 Nm

5



6



8x



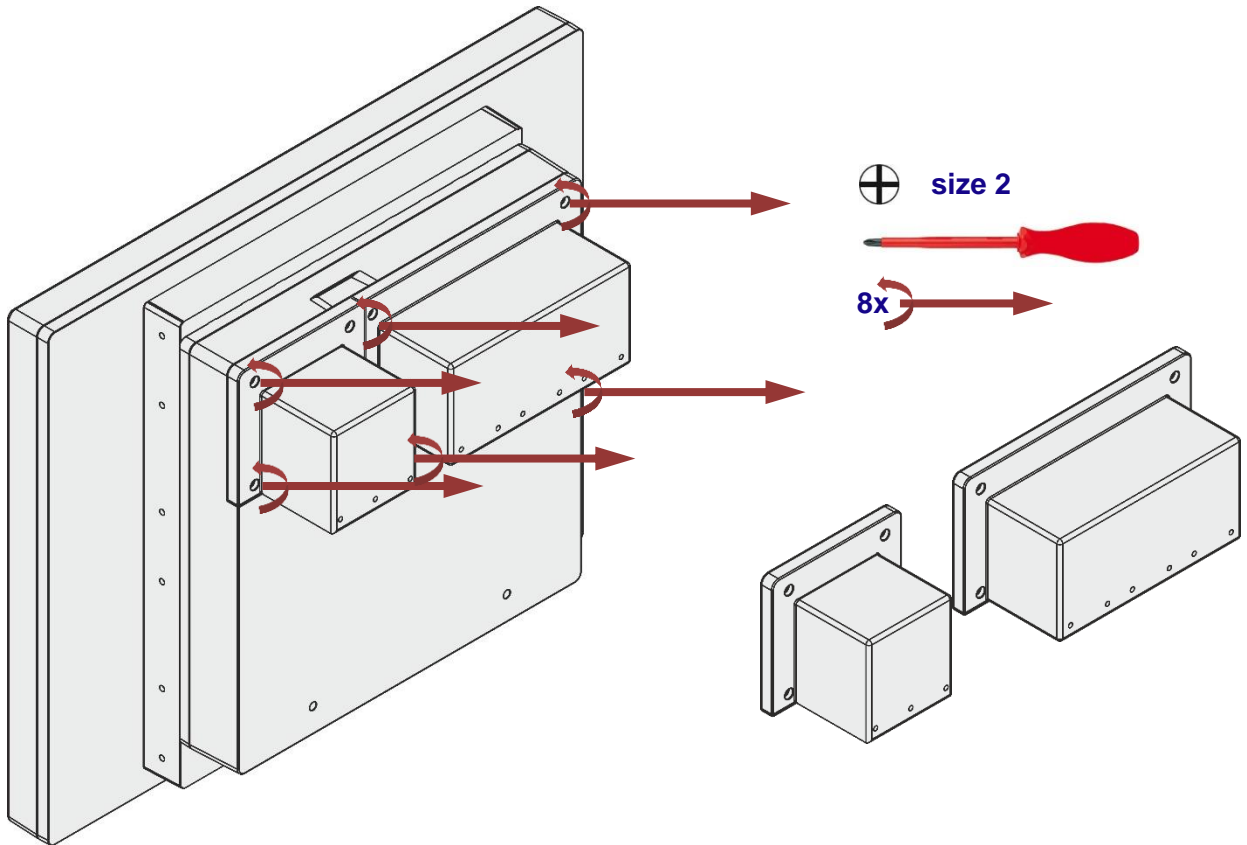
## 4.2 VESA 200 Top Connect

### 4.2.1 Dismounting

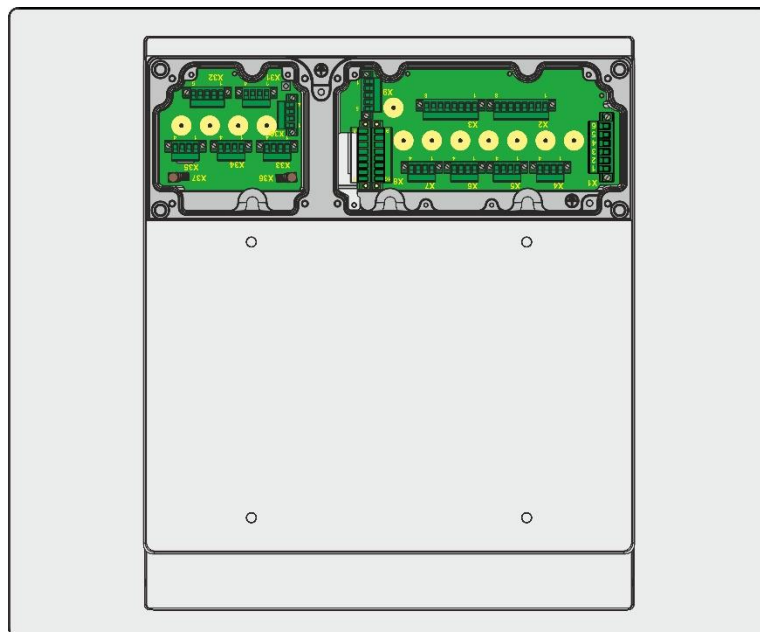
**NOTE**

Any accessories / connection kits must be removed / dismantled before the E box is dismantled.

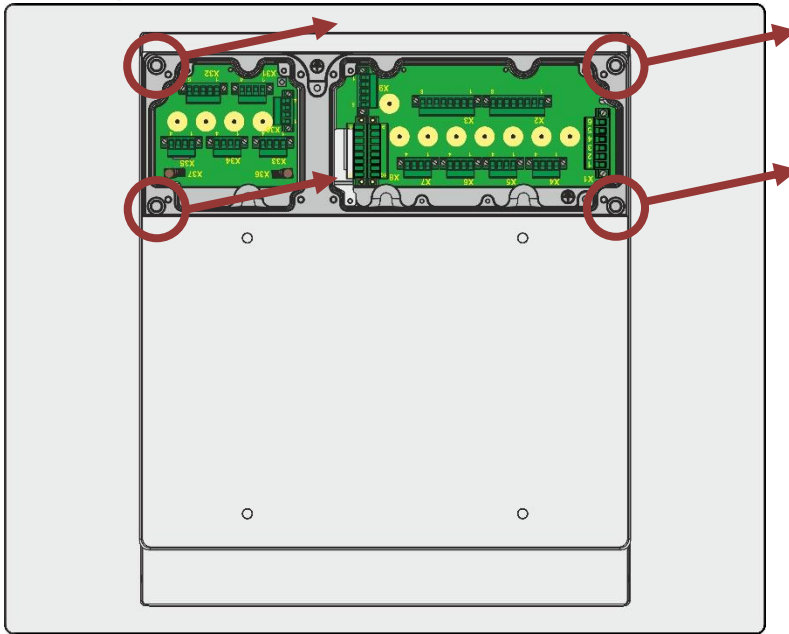
1



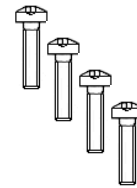
2



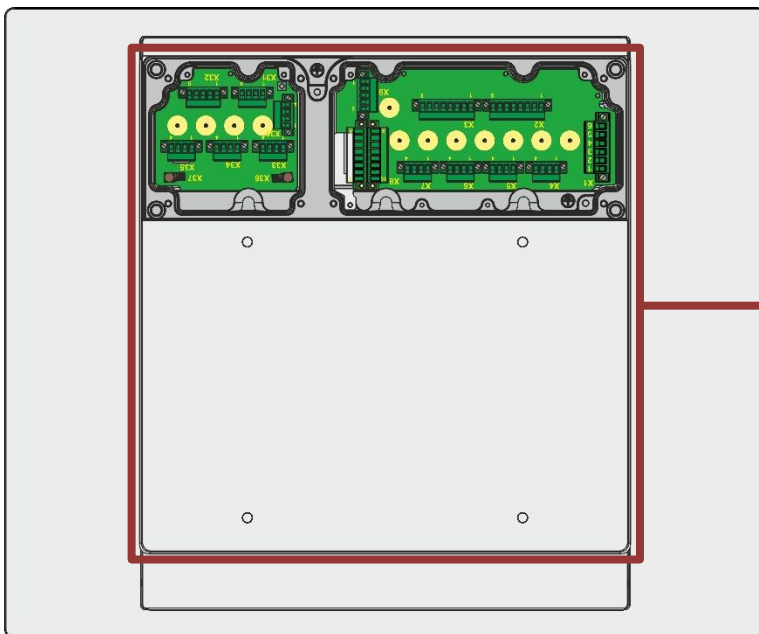
3



4x



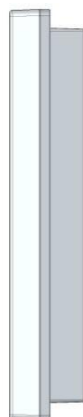
4



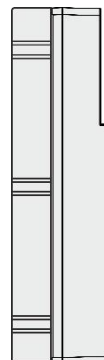
Lift in parallel

5

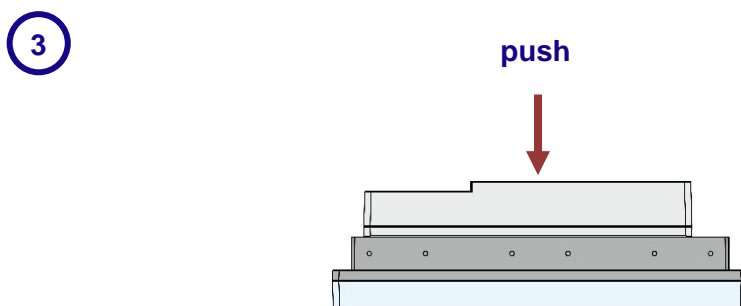
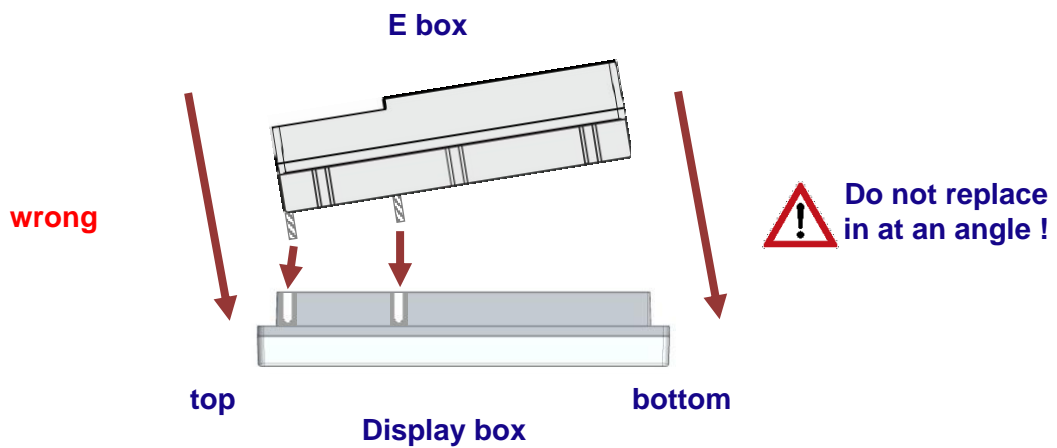
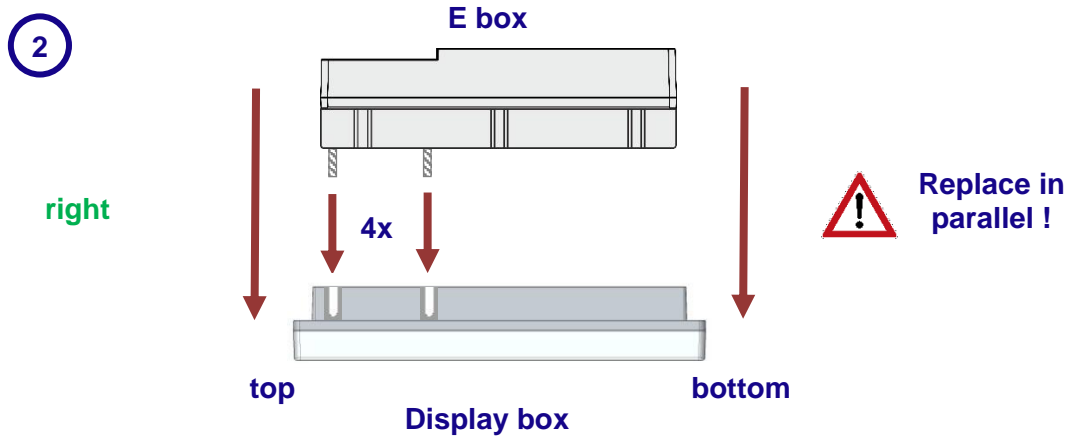
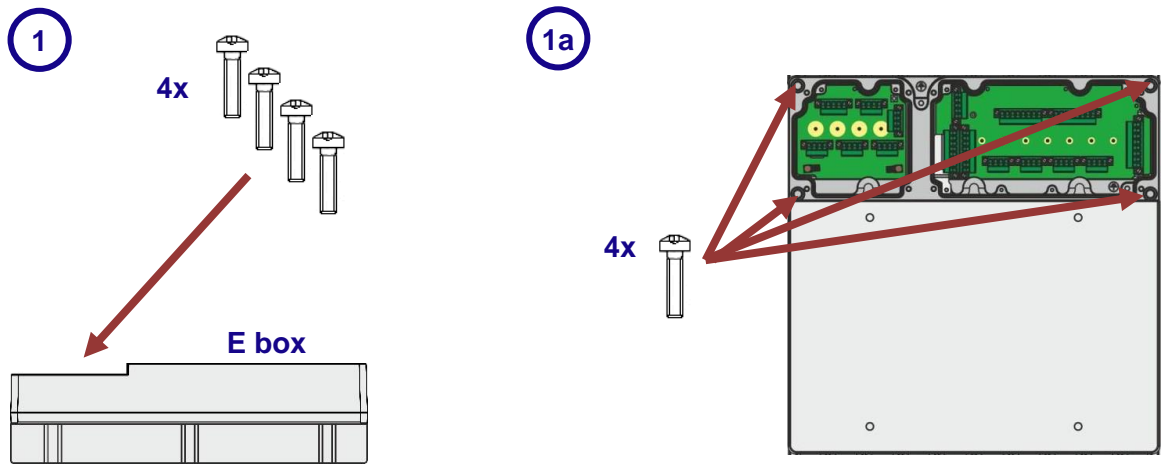
Display box



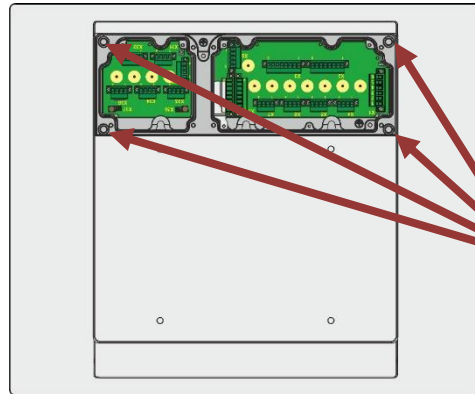
E box



4.2.2 Mounting



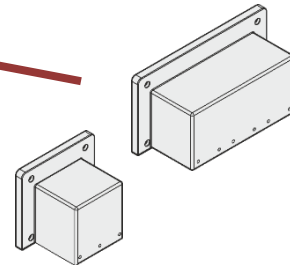
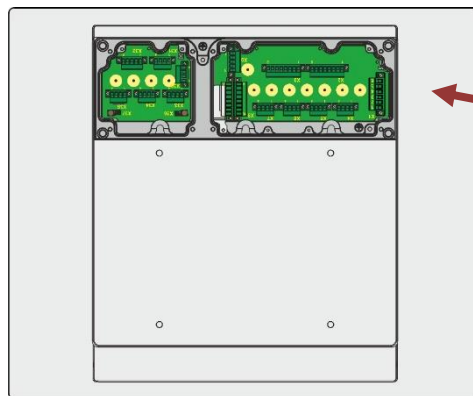
4



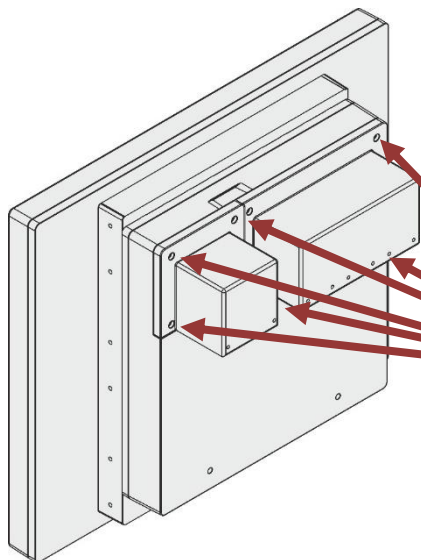
4x

tighting torque: 10 Nm

5



6



8x

**NOTE**

Any accessories / connection kits must be replaced after the E-box has been replaced.

**DOCUMENTATION**

The installation instructions for the connection sets are located in "IM\_Top-Connect\_xx8-\*.pdf".

## 5 Release notes

The chapter entitled "Release Notes" contains all the changes made in every version of the Instruction Manual.

### Version 01.00.00

- Section "Module exchange" included in this document as separate chapter
- Module exchange for version VESA 200 Top Connect included
- Correction of E-box illustration version VESA 200 Standard
- Changing document name "IM\_Connection-Kit\_xx8" into "IM\_Top-Connect\_xx8"
- Addition of headline with "Module Exchange"

### Version 01.00.01

- Deleting of label exchange
- Text and formal changes

### Version 01.00.02

- Changing logo at cover
- Changing HW-Rev at cover
- Changing disclaimer, new mail addresses
- Adaption address field verso
- Addition of second note at "General information"
- Addition of drawings "replace in at an angle" at standard and Top Connect
- Formale changes

R. STAHL HMI Systems GmbH  
Adolf-Grimme-Allee 8  
D 50829 Köln

T:	(Sales Support)	+49 221 768 06 - 1000
	(Technical Support)	+49 221 768 06 - 5000
F:		+49 221 768 06 - 4100
E:	(Sales Support)	<a href="mailto:sales.dehm@r-stahl.com">sales.dehm@r-stahl.com</a>
	(Technical Support)	<a href="mailto:support.dehm@r-stahl.com">support.dehm@r-stahl.com</a>

[r-stahl.com](http://r-stahl.com)  
[exicom.de](http://exicom.de)



THE STRONGEST LINK.