



Installation Manual



Panel mount with xx8 mounting kit
SHARK device platform
ET-xx8 / MT-xx8



THE STRONGEST LINK.

HW-Rev. ET-xx8: 01.00.00 / 01.01.00
HW-Rev. MT-xx8: 01.00.00 / 01.01.00

Version: 01.00.03
Issue: 08.08.2019

Publisher

Publisher and copyright holder:

R. STAHL HMI Systems GmbH
Adolf-Grimme-Allee 8
D 50829 Cologne

Phone: (switchboard) +49 (0) 221 76 806 - 1000
(hotline) - 5000
Fax: - 4100
E-mail: (switchboard) office@stahl-hmi.de
(hotline) support@stahl-hmi.de

- All rights reserved.
- This document may not be reproduced in whole or in part except with the written consent of the publisher.
- This document may be subject to change (dates, dimensions, weight, constructions, drawings, images).

Any warranty claims are limited to the right to demand amendments. Liability for any damage that might result from the contents of these instructions or all other documentation is limited to clear cases of premeditation.

We reserve the right to change our products and their specifications at any time, provided it is in the interest of technical progress. The information in the current manual (online or on CD / DVD / USB stick) or in the operating instructions included in the delivery applies.

Trademark











The terms and names used in this document are registered trademarks and / or products of the companies in question.

Copyright © 2019 by R. STAHL HMI Systems GmbH. Subject to alterations.

Table of contents

	Description	Page
	Publisher	2
	Table of contents	3
1	Legend	4
2	Tools	4
3	General information	4
4	xx8 Mounting-Kit	5
4.1	Scope of delivery	5
4.2	Fixing frame x38	5
4.2.1	View	5
4.2.1.1	View sub-positions	6
4.2.1	Dimensions	6
4.3	Fixing frame x98	7
4.3.1	View	7
4.3.1.1	View sub-positions	7
4.3.2	Dimensions	8
4.4	Adhesive sealing strip right / left	8
4.4.1	View	8
4.4.2	Dimensions	8
4.5	Adhesive sealing strip top / bottom	8
4.5.1	View	8
4.5.2	Dimensions	8
4.6	Adhesive sealing dots	8
4.6.1	View	8
4.6.2	Dimensions	8
5	Mounting – Step by step	9
6	Release notes	16

1 Legend

Symbol	Meaning
	Component
	Sub-component
	Process step
	Process step, subordinate position
	Order in which screws are tightened
	Direction of movement or position
	Process step, order, cut-out position (with or without arrow)
	Cut-out, enlarged partial view
	Turning movement, turning direction
	Important note, must be complied with

2 Tools



1x spanner AF 10
 1x spanner AF 13
 1x torx wrench TX 30

NOTE

Tools are not included in the delivery and must be supplied by customer.

3 General information

- New screws not included in the delivery must be greased before use.

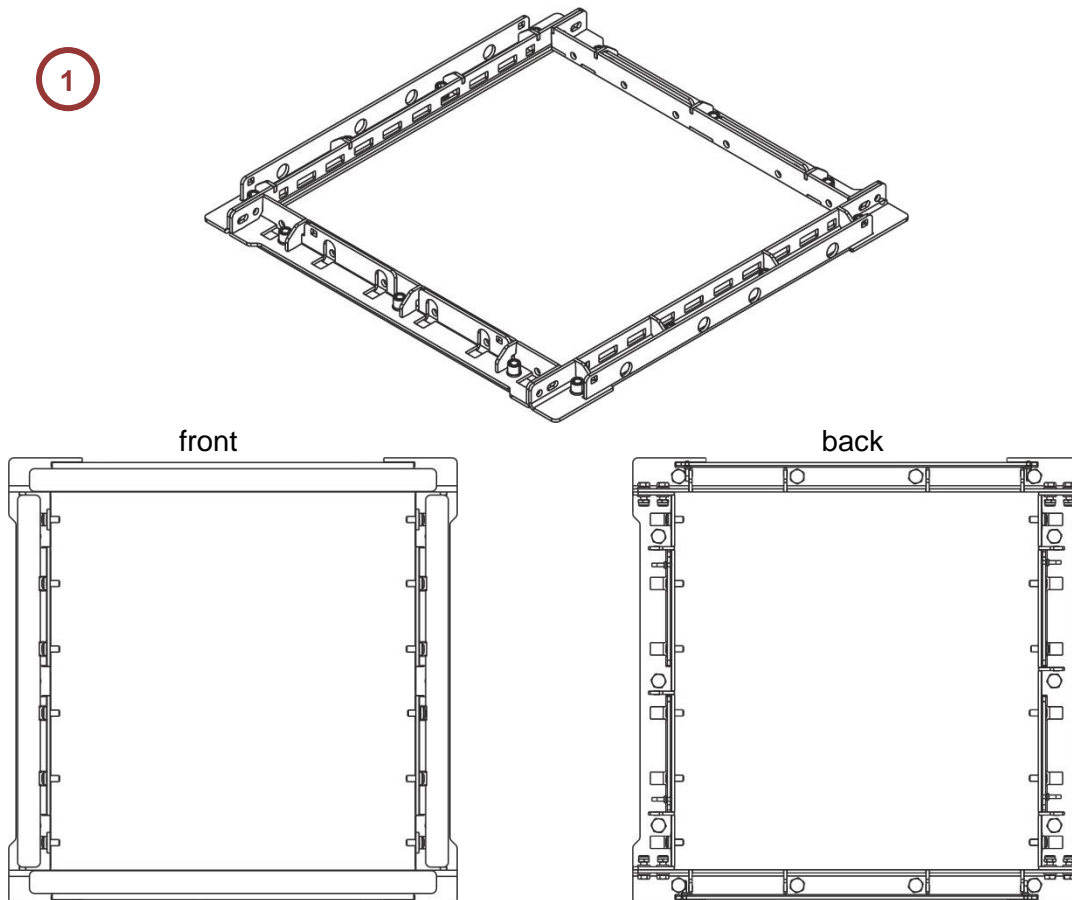
4 xx8 Mounting-Kit

4.1 Scope of delivery

No.	Quantity	Designation	
1	1	Fixing frame, assembled	
Sub-positions fixing frame			
1a		2	Display frame right / left
1b		2	Display frame top / bottom
1c		2	Pressure angle bracket
1d		2	Pressure angle bracket narrow (x38) / wide (x98)
1e		8	Cable ties (pre-mounted)
1f		14 for x38 16 for x98	Hexagon screw M8 x 40 (pre-mounted)
1g		12	Pan head screw (Torx 30) M6 x 12 (included)
1h		8	Hexagon screw M6 x 12
1i		16	Washer Ø 6.4
1j		8	Self-locking nut M6
(all pre-mounted)			
2	2	Adhesive sealing strip right / left	
3	2	Adhesive sealing strip top / bottom	
4	14 for x38 18 for x98	Adhesive sealing dots	

4.2 Fixing frame x38

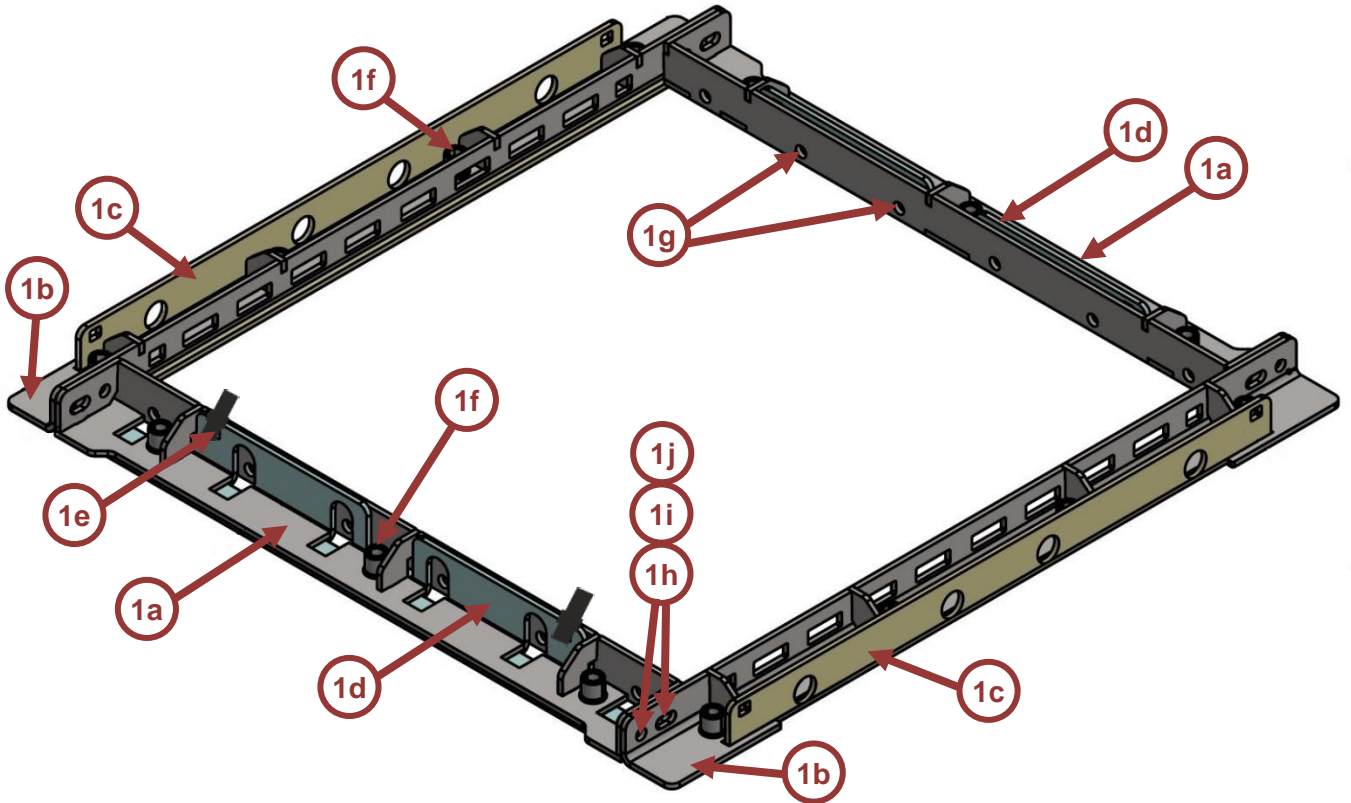
4.2.1 View



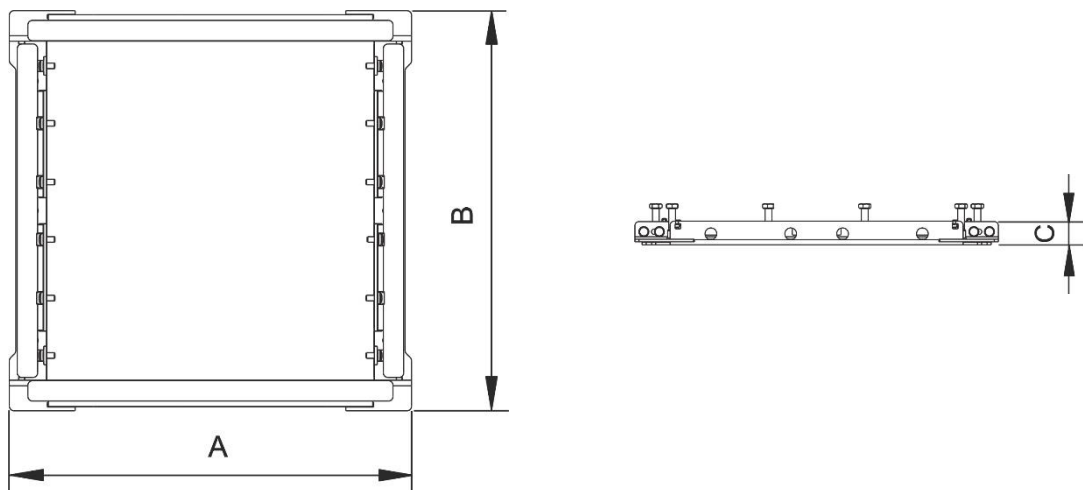
4.2.1.1 View sub-positions

NOTE

For clarity's sake positions **1e** to **1j** are shown at only one position in the fixing frame. They are the same for every corner or side of the frame, or for the corresponding positions at the display frame and pressure angle bracket.



4.2.1 Dimensions

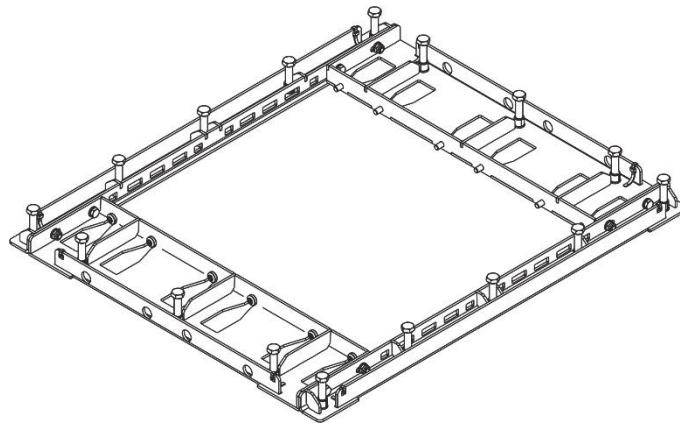


Device	Dimensions [mm]		
	A	B	C
ET-x38 / MT-x38	434	432	27.5

4.3 Fixing frame x98

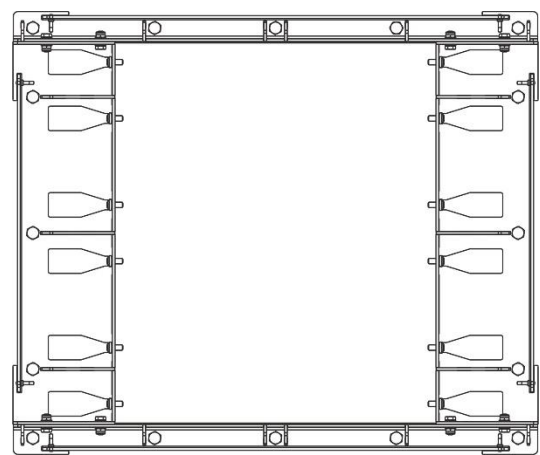
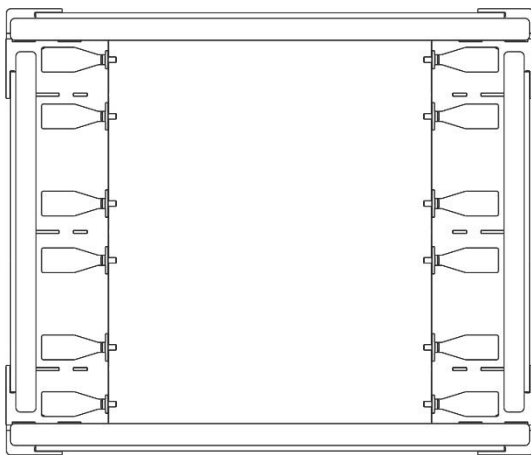
4.3.1 View

1



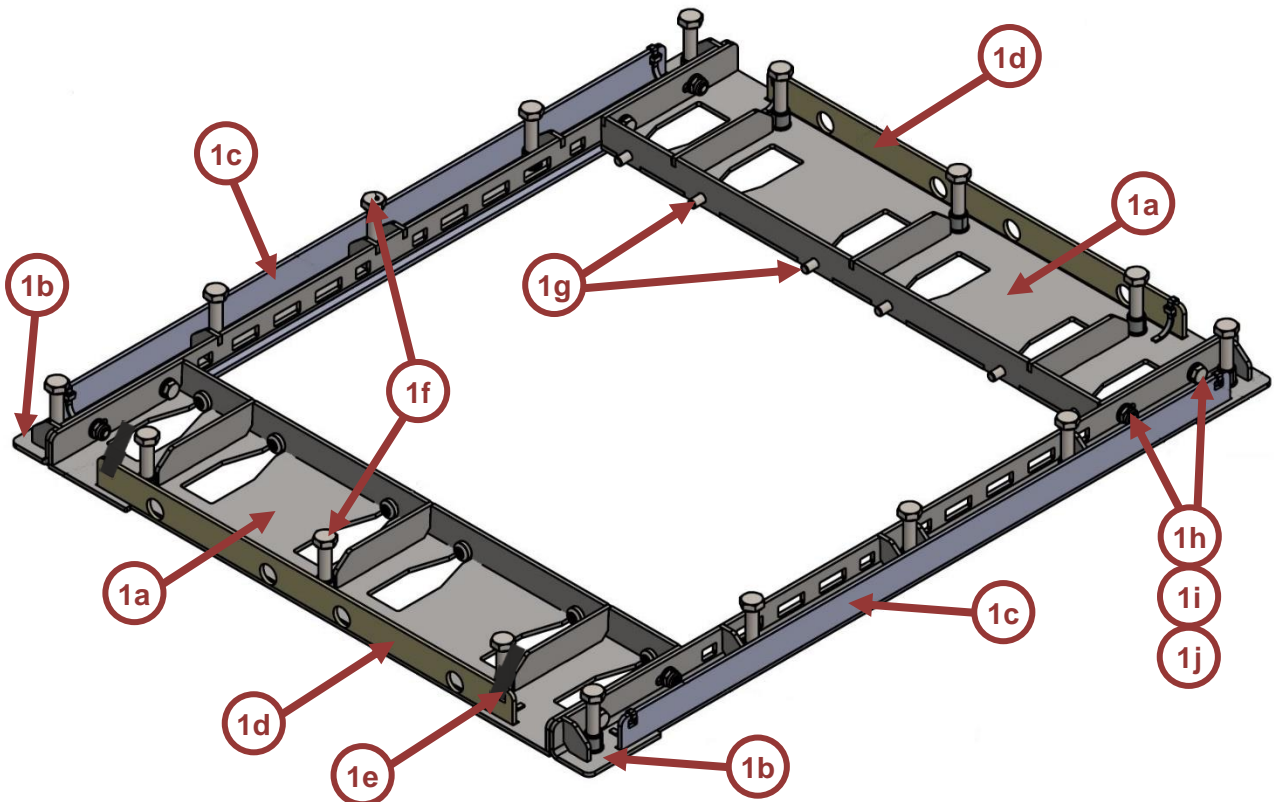
front

back

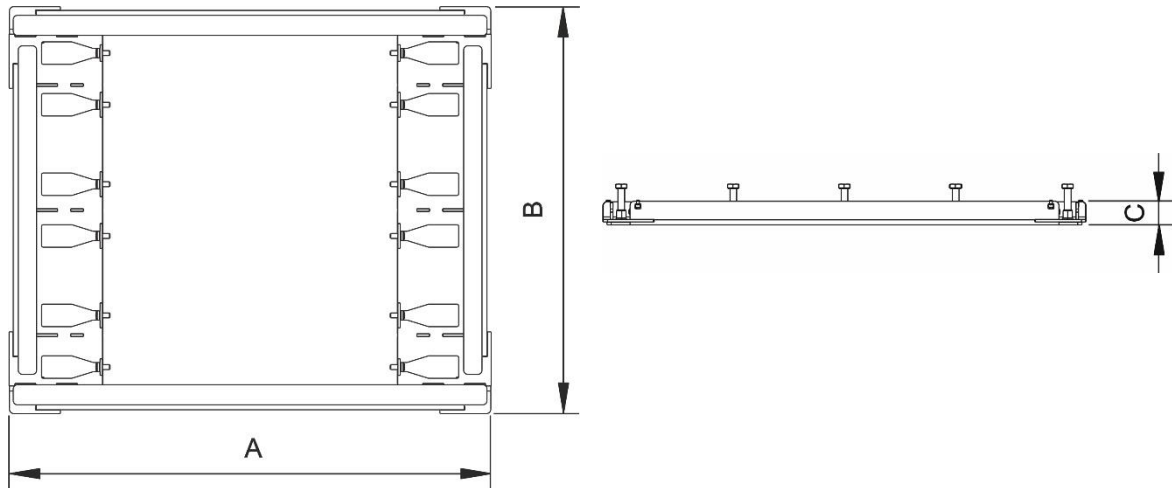


4.3.1.1 View sub-positions

Note: see note under 4.2.1.1



4.3.2 Dimensions



Device	Dimensions [mm]		
	A	B	C
ET-x98 / MT-x98	578	488	28

4.4 Adhesive sealing strip right / left

4.4.1 View



4.4.2 Dimensions

Device	Dimensions [mm]		
	Length	Width	Width
ET-x38 / MT-x38	364	11	1.6
ET-x98 / MT-x98	444	11	1.6

4.5 Adhesive sealing strip top / bottom

4.5.1 View



4.5.2 Dimensions

Device	Dimensions [mm]		
	Length	Width	Width
ET-x38 / MT-x38	378.5	11	1.6
ET-x98 / MT-x98	551	11	1.6

4.6 Adhesive sealing dots

4.6.1 View



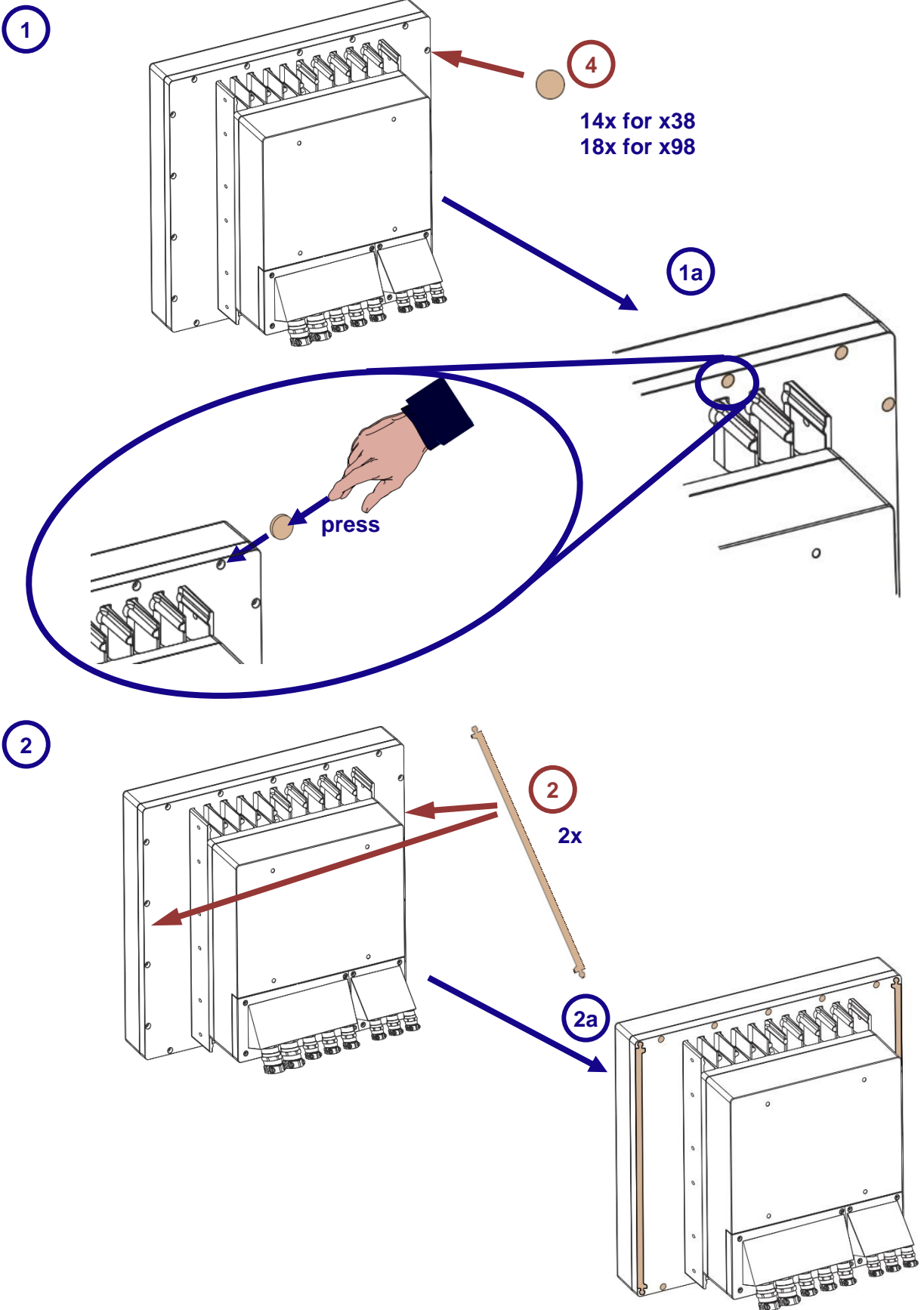
4.6.2 Dimensions

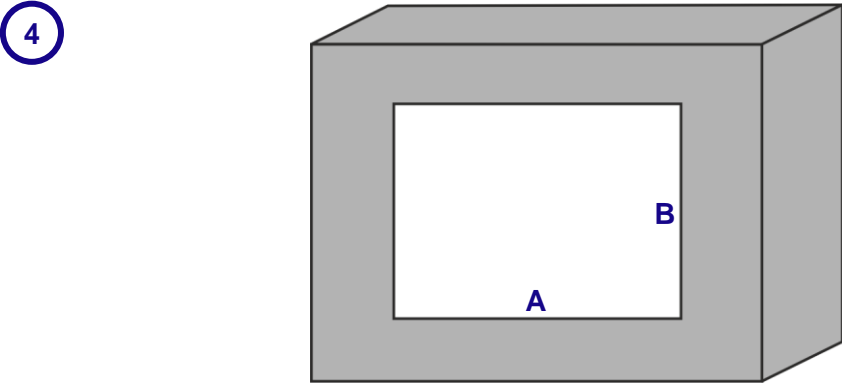
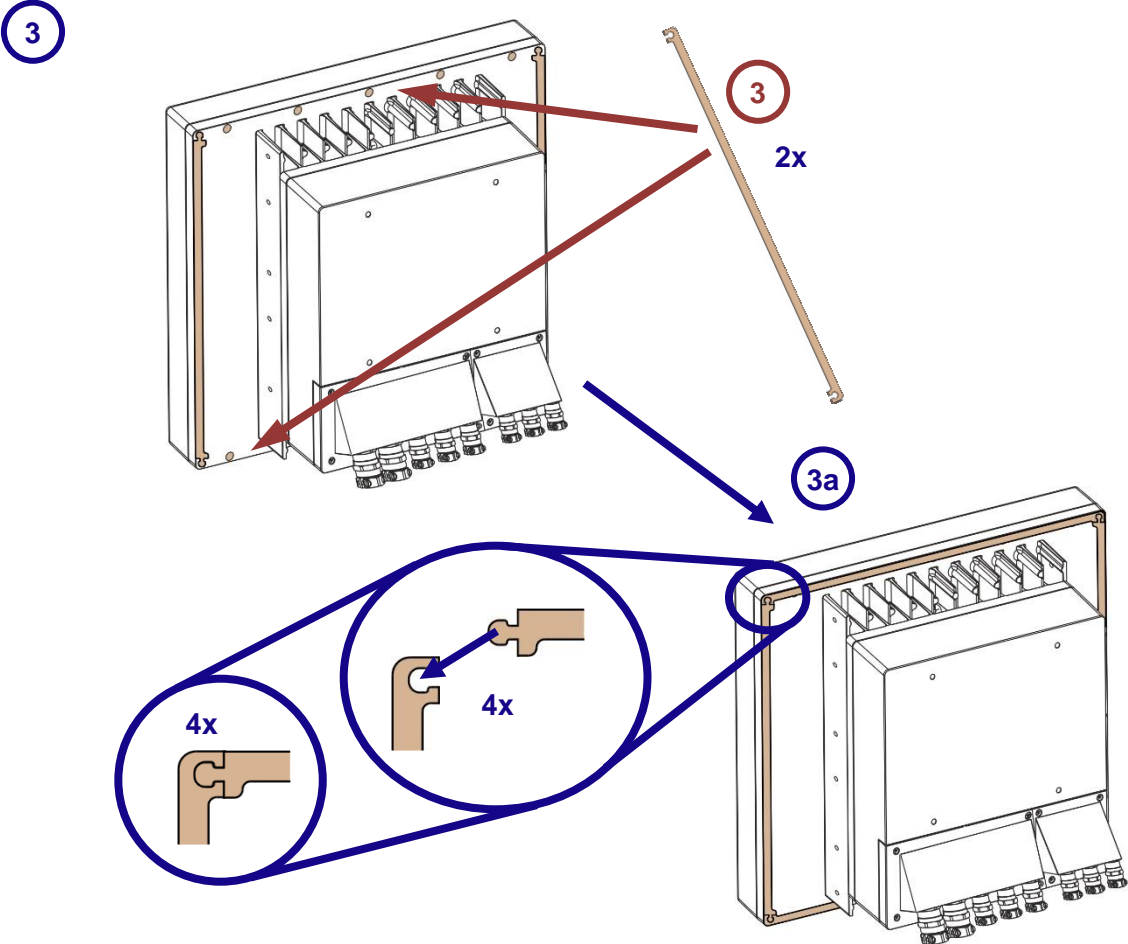
Dimensions [mm]	
Ø	Width
12	3.18

5 Mounting – Step by step

NOTE

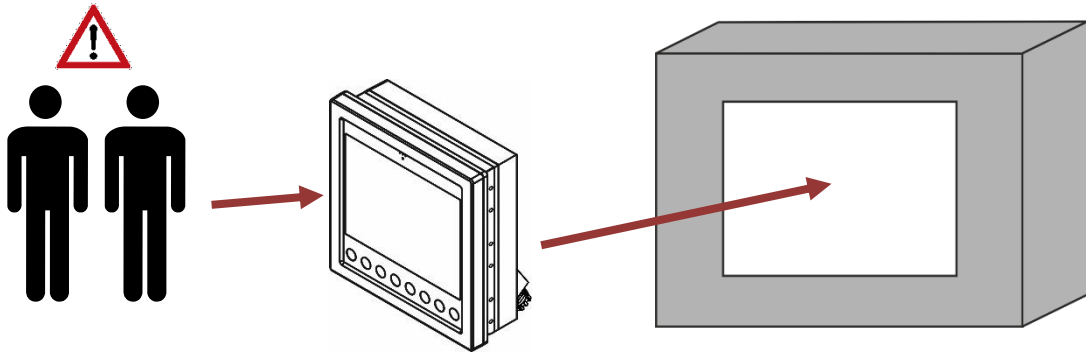
All mounting steps apply equally to both x38 and x98 devices. The only difference are the dimensions, the fixing frame or the number of screws, etc.



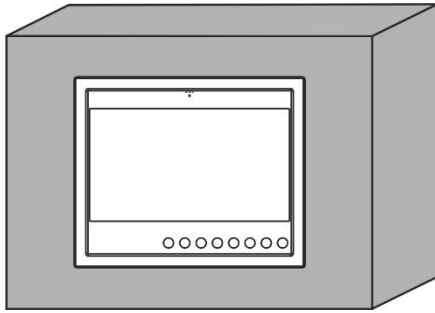


Device	Dimensions of cut-out [mm]		Tolerance
	A	B	
ET-x38 / MT-x38	360	364	±1
ET-x98 / MT-x98	360	418	

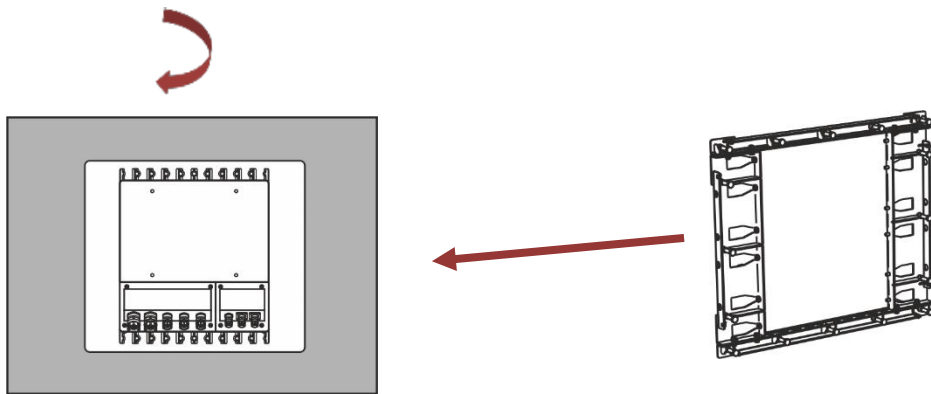
5



6

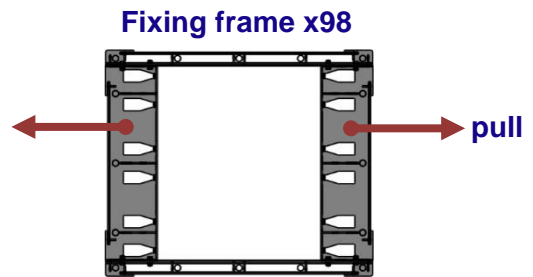
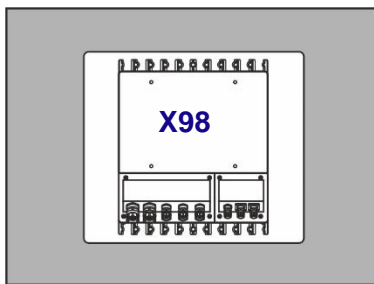


6a

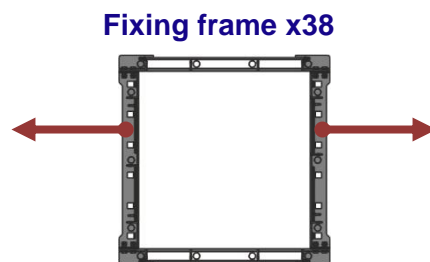
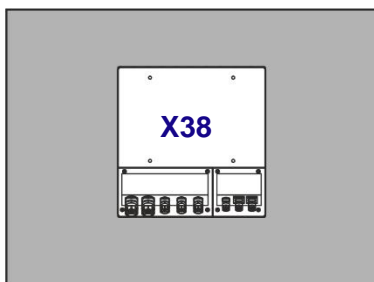


7

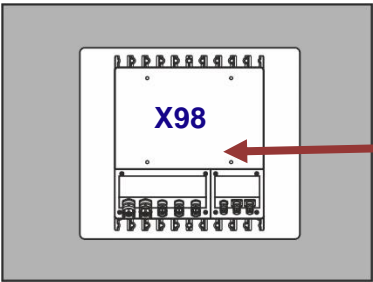
 **Do not remove cable ties!**



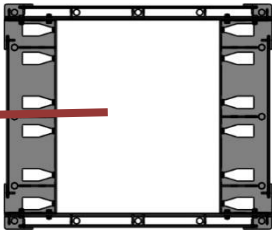
or



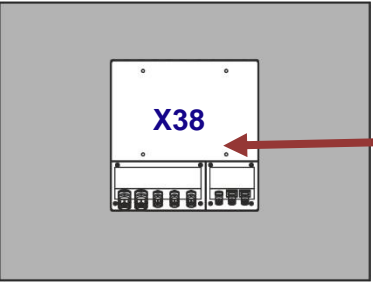
7a



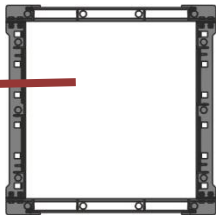
Fixing frame x98



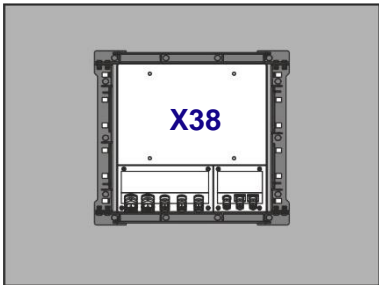
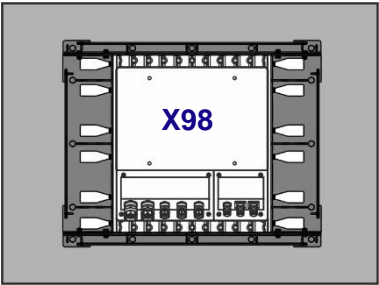
or



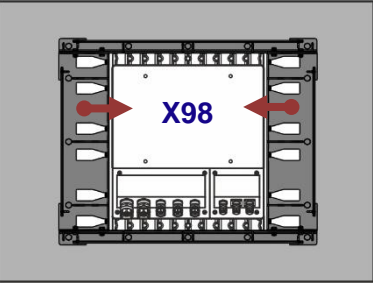
Fixing frame x38



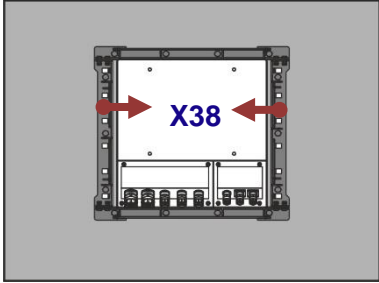
7b



8



push together



9

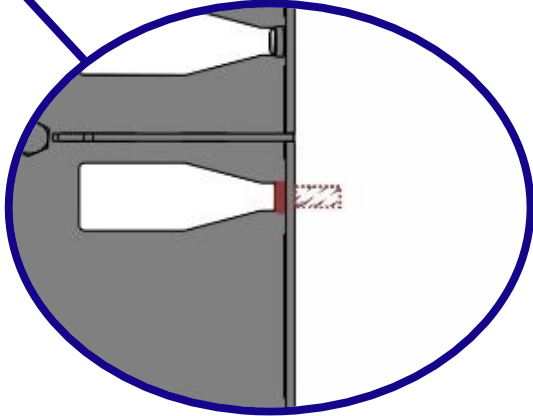
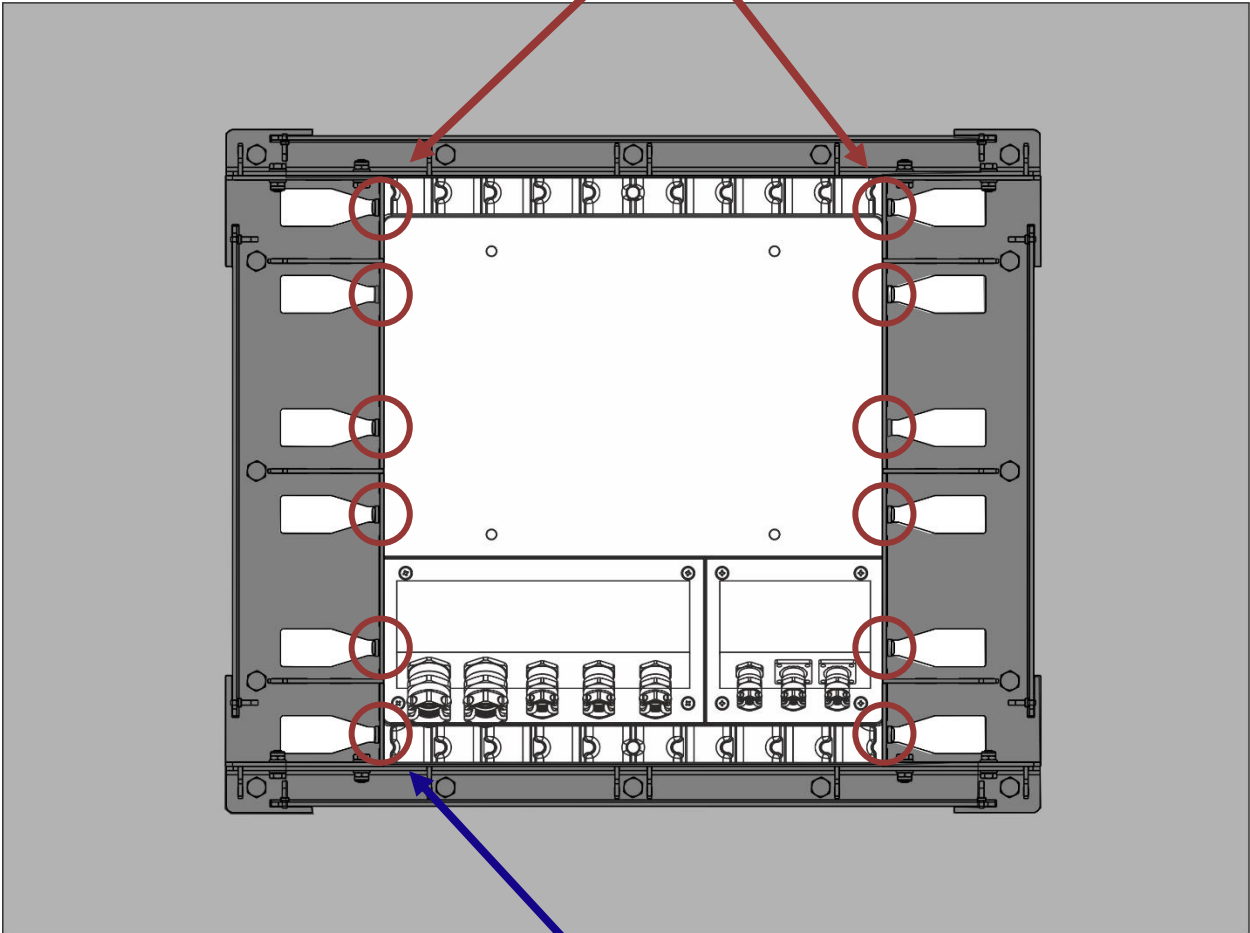


TX 30

recommended torque
1.5 to 2 Nm

1g

12x



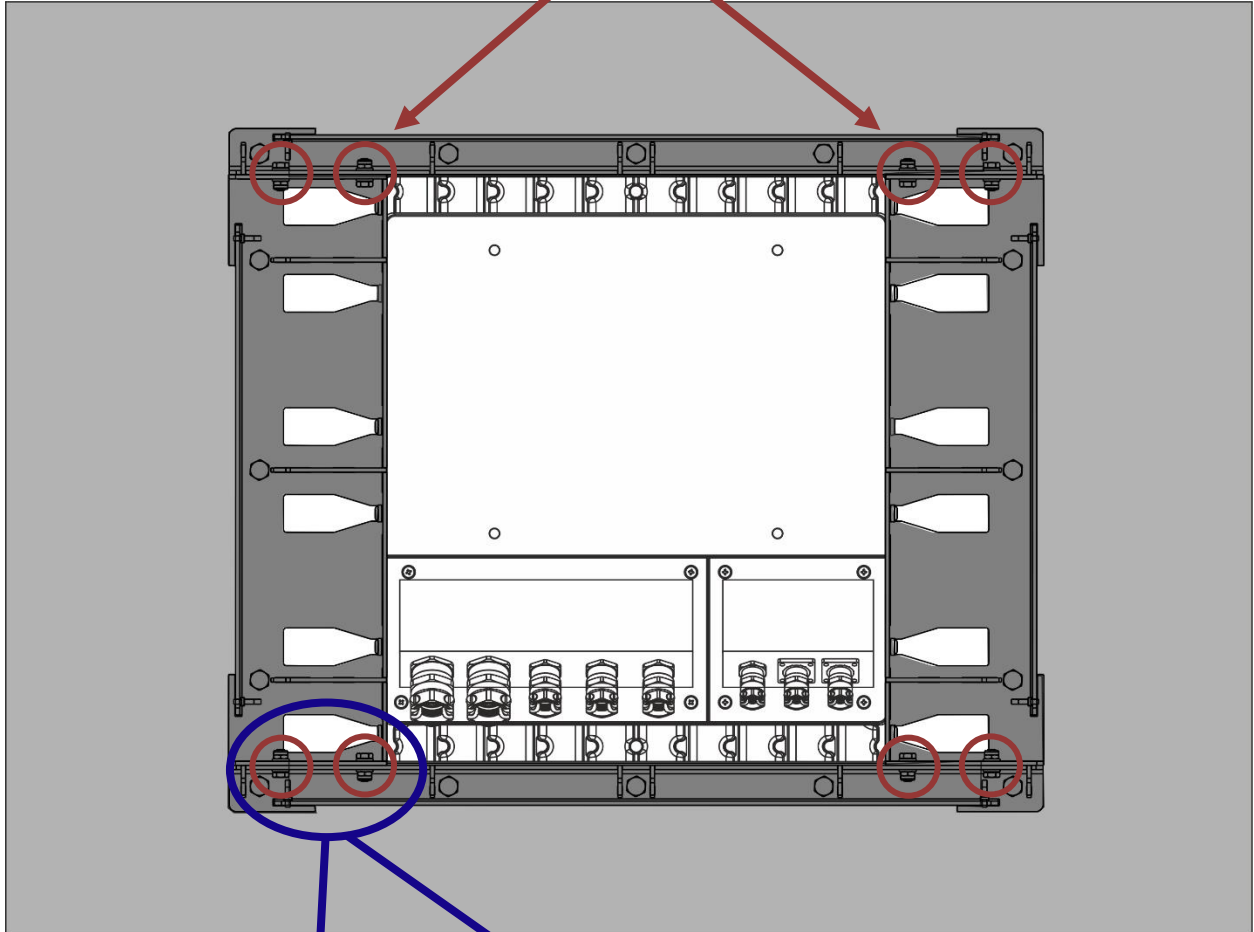
10



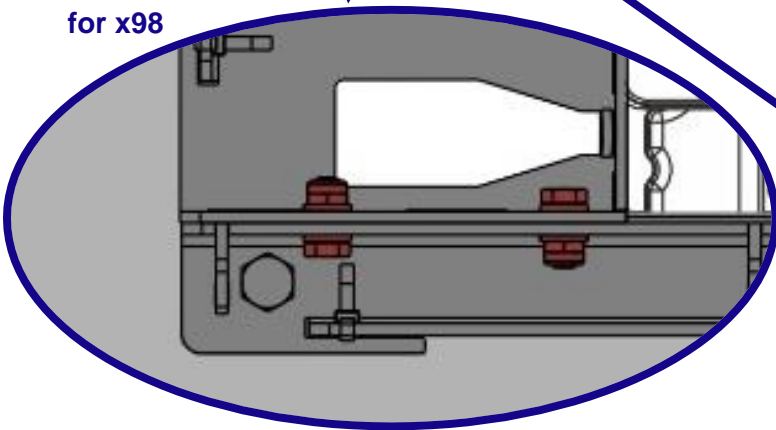
recommended torque
1.5 to 2 Nm

8x M6

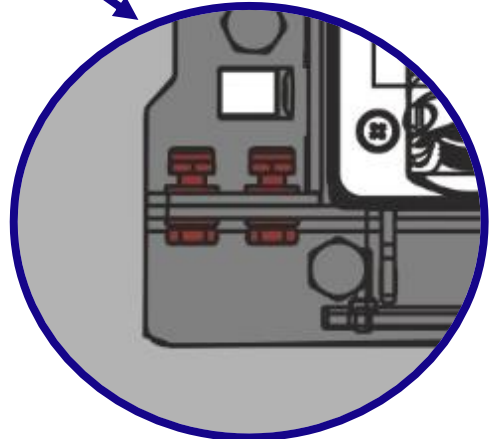
1h 1i 1j



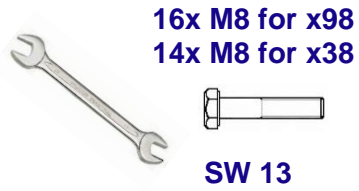
for x98



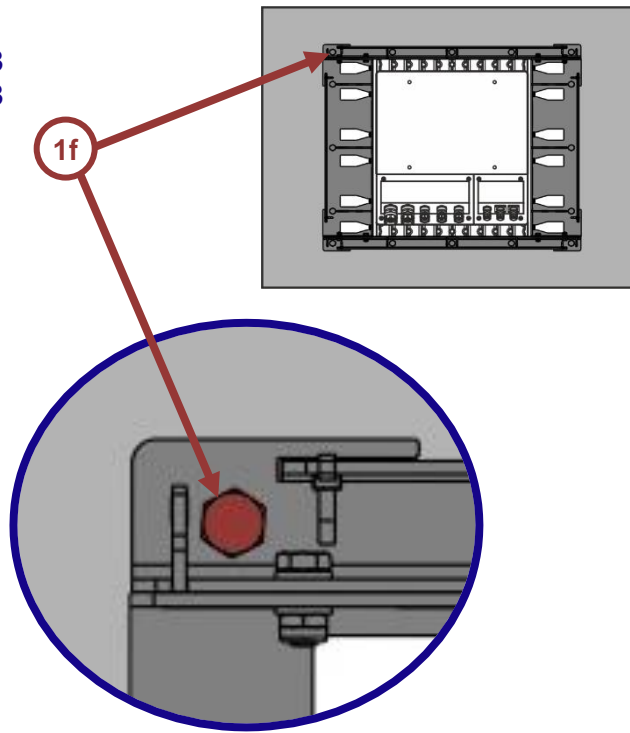
for x38



11



recommended torque
1.5 to 2 Nm

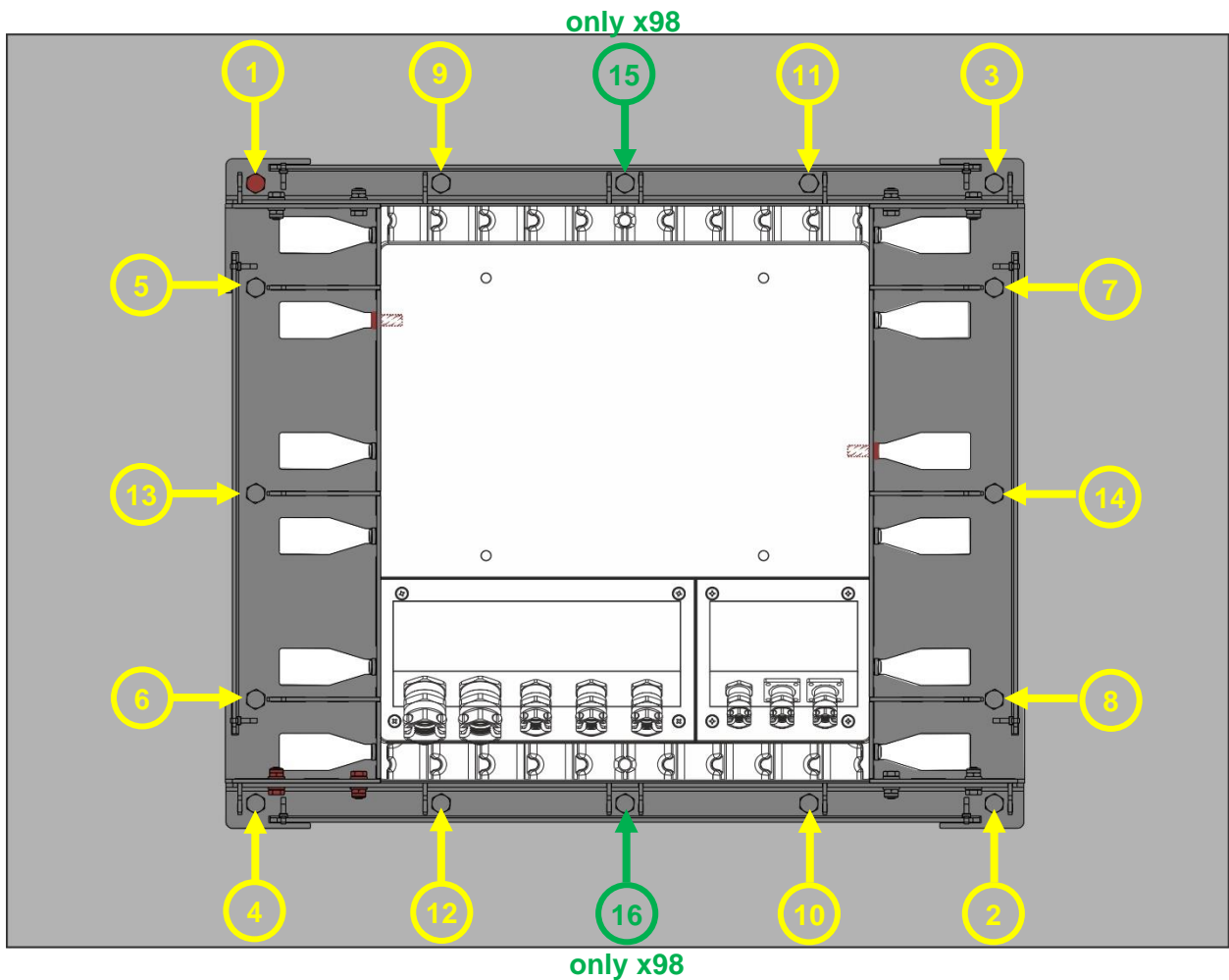


11a

Tighten 1f screws 2x



Tighten screws in stipulated order !



6 Release notes

The chapter entitled "Release Notes" contains all the changes made in every version of the Installation Manual.

Version 01.00.00

- First edition

Version 01.00.01

- Correction of numbers in "stipulated order"
- Addition of headline with "Mounting-Kit"
- Correction of picture x98 with frame

Version 01.00.02

- Addition of drawing "fixing frame sub-position" with cable ties
- Addition of drawing "screw positions" more detailed
- Addition of "recommended torque"

Version 01.00.03

- Correction dimension of cut-out B for x98 in table at page 10
- Formal changings

R. STAHL HMI Systems GmbH
Adolf-Grimme-Allee 8
D 50829 Köln

T:	(switchboard)	+49 221 76 806	- 1000
	(Hotline)	+49 221 76 806	- 5000
F:		+49 221 76 806	- 4100
E:	(switchboard)	office@stahl-hmi.de	
	(hotline)	support@stahl-hmi.de	

r-stahl.com
stahl-hmi.de



THE STRONGEST LINK.