



# Operating Instructions



KB2 Device versions, incl. enclosure

KB2 Keyboards

PD2 Pointing device

KB2-HSG / PD2-HSG Assemblies



THE STRONGEST LINK.

HW-Rev.:

01.01.02

Operating Instructions Version:  
Issue:

01.01.02  
24.06.2024

Order number:

326677

## Table of contents

	Description	Page
	Table of contents	2
<b>1</b>	<b>General information</b>	<b>6</b>
1.1	Manufacturer	6
1.2	Legal notice	6
1.2.1	Trademark	6
1.2.2	Disclaimer	6
1.3	About these Operating Instructions	7
1.3.1	Target group	7
1.3.2	How to use this manual	7
1.3.3	Application	7
1.4	Further documents	7
1.5	Conformity with standards and regulations	8
1.5.1	Certificates	8
1.5.2	Approvals	8
	Europe (CE / ATEX)	8
	Global (IECEX)	8
	India (BIS / PESO)	8
1.5.3	Summary of applied standards	9
1.5.3.1	ATEX / IECEX	9
1.5.3.2	EMC directive 2014/30/EU	9
1.5.3.3	Low voltage directive 2014/35/EU	9
1.5.3.4	Radio equipment directive 2014/53/EU	10
1.5.3.5	RoHS directive 2011/65/EU	10
<b>2</b>	<b>Explanation of symbols</b>	<b>11</b>
2.1	Symbols used in these Operating Instructions	11
2.2	Warning notes	11
2.3	Symbols on the device	12
<b>3</b>	<b>Safety</b>	<b>13</b>
3.1	Intended use	13
3.2	Predictable improper use	13
3.3	Personnel qualification	13
3.4	Special conditions of use	14
3.5	Installation safety information	15
3.6	Safety information for operation	16
3.7	Residual risks	16
3.7.1	Explosion hazard	16
3.7.2	Risk of injury	17
3.7.3	Device damage	18
<b>4</b>	<b>Function and device design</b>	<b>19</b>
4.1	Features and versions	19
4.1.1	Options	19
4.1.2	Keyboards	19
4.1.3	Enclosure	19
4.1.4	Keyboard versions	20

4.1.5	Enclosure versions	20
4.1.6	Pointing device	22
4.1.7	Scope of delivery	23
4.2	Dimensions	25
4.2.1	Keyboard with pointing device	25
4.2.2	Keyboard with pointing device inside HSG	26
4.2.3	Keyboard with pointing device and UB03 inside HSG	26
4.2.4	Keyboard with pointing device inside HSG, support arms for FR / CFR / BD / ORCA OFR	27
4.2.5	Keyboard with pointing device and UB03 inside HSG, support arms for FR / CFR / BD / ORCA OFR	27
4.2.6	Keyboard with pointing device inside HSG, support arms for Yokemount	28
4.2.7	Keyboard with pointing device inside HSG for SHARK wall mounting	28
4.2.8	Keyboard with pointing device desktop mounting	29
4.3	Operating elements	30
4.4	Markings on the device	31
4.4.1	Position	31
4.4.2	Design of a type label	31
4.4.3	Type code layout	32
4.4.4	Type key code KB2 device versions	33
4.4.5	Type key code KB2-HSG assemblies	34
4.4.6	Ex classification ATEX / IECEx	34
4.4.7	Ex classification PESO	35
5	Transport and storage	36
6	Unpacking	36
7	Mounting and installation	37
7.1	Note on mounting and installation	37
7.2	Requirements for site of installation	37
7.3	Mounting types	37
7.4	Installation KB2 in enclosure	38
7.5	Installation	39
7.5.1	General information on electric connection	39
7.5.2	Connecting the device	39
7.5.3	Grounding the device	39
8	Initial start-up	40
9	(Re-) Commissioning	40
10	Operation	41
10.1	Switching the device on and off	41
11	Maintenance, overhaul and repair	42
11.1	Servicing	42
11.2	Maintenance	43
11.3	Repair	43
12	Returning the device	44
13	Cleaning	44
14	Disposal	45

15	Accessories	45
16	Appendix A	46
16.1	Technical data	46
16.2	Overview Hardware Revision	47
17	Appendix B	48
17.1	Permitted maximum values	48
17.1.1	KB2 / PD2 versions	48
17.1.2	For HSG enclosures with "U3" device version	49
18	Appendix C	50
18.1	Proof of intrinsic safety	50
18.1.1	General information	50
18.1.2	Connections	51
19	Appendix D	52
19.1	Connection overview cable assignment KB2	52
19.1.1	KB2 at ET-/MT-xx7	52
19.1.2	KB2 at ET-/MT-xx8	53
19.1.3	KB2 at ORCA01*	54
19.2	Connection overview cable assignment PD2	55
20	Appendix E	56
20.1	Cutout KB2	56
21	Attachment F	57
21.1	Trackball cleaning	57
22	Appendix G	59
22.1	Disposal / Restricted substances	59
22.1.1	Declaration of substances and restricted substances	59
22.1.1.1	Declarable substance groups	59
22.1.1.2	RoHS directive 2011/65/EC	59
22.1.1.3	IMO Resolution MEPC.269(68)	59
23	Appendix H	60
23.1	Material resistance	60
23.1.1	Materials	60
23.1.1.1	Powder coating front plate	61
23.1.1.2	Front plate membrane	62
23.1.1.3	Front plate / enclosure seal HT-800	63
23.1.1.4	Enclosure seal VQM	63
23.1.1.5	Breather	63
23.1.1.6	Joystick	64
23.1.1.7	Trackball recess	64
23.1.1.8	Trackball (itself)	67
23.1.1.9	Key pad / PD2 seal	68
24	Appendix I	69
24.1	Declarations of conformity	69
24.1.1	EU	69
24.1.1.1	KB2 / PD2 -Z1	69
24.1.1.2	KB2 / PD2 -Z2	70
24.1.1.3	KB2 / PD2 -Z1 -HSG	71
24.1.1.4	KB2 / PD2 -Z2 -HSG	73

<b>25</b>	<b>Appendix J</b>	<b>75</b>
<b>25.1</b>	<b>Keyboard layouts</b>	<b>75</b>
<b>25.1.1</b>	<b>German - DE</b>	<b>75</b>
<b>25.1.2</b>	<b>American - US</b>	<b>75</b>
<b>25.1.3</b>	<b>French - FR</b>	<b>75</b>
<b>25.1.4</b>	<b>Spanish - ES</b>	<b>76</b>
<b>25.1.5</b>	<b>Swiss German - DE-CH</b>	<b>76</b>
<b>25.1.6</b>	<b>Nordic</b>	<b>76</b>
<b>25.1.7</b>	<b>Slovenian - SL</b>	<b>77</b>
<b>25.1.8</b>	<b>Japanese - JP</b>	<b>77</b>
<b>25.1.9</b>	<b>Hungarian - HU</b>	<b>77</b>
<b>25.1.10</b>	<b>Ukrainian - UA</b>	<b>77</b>
<b>26</b>	<b>Appendix K</b>	<b>78</b>
<b>26.1</b>	<b>Release notes</b>	<b>78</b>

# 1 General information

## 1.1 Manufacturer

R. STAHL HMI Systems GmbH  
Adolf-Grimme-Allee 8  
50829 Köln  
Germany

### Sales Support

T: +49 221 768 06 – 1200  
E: [sales.dehm@r-stahl.com](mailto:sales.dehm@r-stahl.com)

### Technical Support

T: +49 221 768 06 – 5000  
E: [support.dehm@r-stahl.com](mailto:support.dehm@r-stahl.com)

### General

F: +49 221 768 06 – 4200  
Internet: [r-stahl.com](http://r-stahl.com)

## 1.2 Legal notice

### 1.2.1 Trademark

The terms and names used in this document are registered trademarks and / or products of the companies in question.

### 1.2.2 Disclaimer

- All rights reserved.
- This document may not be reproduced in whole or in part except with the written consent of the publisher.
- This document may be subject to change without notice.

Any warranty claims are limited to the right to demand amendments. Liability for any damage that might result from the contents of these instructions or all other documentation is limited to clear cases of premeditation.

We reserve the right to amend our products and their specifications at any time, provided it is in the interest of technical progress. The information in the current manual (online or on CD / DVD / USB-stick) or in the Operating Instructions included in the delivery applies.

## 1.3 About these Operating Instructions

### 1.3.1 Target group

These Operating Instructions are intended for the following groups of people:

- Project engineers
- Electricians and installers
- Operators
- Operating staff
- Maintenance staff

### 1.3.2 How to use this manual

- Read these Operating Instructions, especially the safety notes, carefully before use.
- Take note of all other applicable documents (see also chapter [1.4 Further documents](#)).
- Keep the Operating Instructions throughout the service life of the devices.
- Make the Operating Instructions accessible to operating and maintenance staff at all times.
- Pass the Operating Instructions on to each subsequent owner or user of the devices.
- Update the Operating Instructions every time R. STAHL issues an amendment.

### 1.3.3 Application

Operating Instructions version: 01.01.02  
Hardware revision: 01.01.02

The following Operating Instructions apply to the following systems:

KB2 Keyboards	KB2 Keyboards
	PD2 Pointing device
Assemblies	KB2-*-HSG-*
	PD2-*-HSG-*

The original instructions are the German edition.  
They are legally binding in all legal affairs.

## 1.4 Further documents


- Certificate Compilation KB2\_Doc-A (CE\_Keyboards\_KB2\_Doc-A)
- Operating Instructions UB03 (OI\_UB03)
- Installation manual KB2 at IT-xx7 Non-Ex device (IM-KB2-an-IT-xx7)
- 2023348000\_1-Arbeitsanweisung KB2 Desktop Binderstecker.pdf



For documents in other languages, see [r-stahl.com](https://www.r-stahl.com).

## 1.5 Conformity with standards and regulations

### 1.5.1 Certificates

	Certificates: <a href="https://www.r-stahl.com">r-stahl.com</a>
	The devices have IECEx approval. See IECEx homepage: <a href="https://www.iecex-certs.com/#/home">https://www.iecex-certs.com/#/home</a> to view the certificate

### 1.5.2 Approvals

The following approvals are valid for all devices:

Synonym	Scope of validity	Valid until	Certificate number	Comment
<b>KB2 / PD2 - Z1 (Zone 1, 21 devices)</b>				
CE	Europe	unlimited		According to directive 2014/30/EU
ATEX	Europe	unlimited	BVS 20 ATEX E 078 X	Issue: 01
IECEX	Global	unlimited	IECEX BVS 20.0065X	Issue: 01
BIS	India	22.05.2026	R-41226106	
PESO		31.12.2028	A/P/HQ/TN/104/6572 (P599287) P599287/1 P599287/2	
<b>KB2 / PD2 - Z1-*HSG*00* / *U3* (Zone 1, 21 devices inside enclosure)</b>				
CE	Europe	unlimited		According to directive 2014/30/EU; 2014/35/EU; 2014/53/EU
ATEX	Europe	unlimited	BVS 20 ATEX E 106 X	Issue: 01
IECEX	Global	unlimited	IECEX BVS 20.0084X	Issue: 01
BIS	India	22.05.2026	R-41226106	<b>Not for devices with *U3*</b>
PESO		31.12.2028	A/P/HQ/TN/104/6572 (P599287) P599287/1 P599287/2	



**1.5.3 Summary of applied standards****1.5.3.1 ATEX / IECEx****1.5.3.1.1 KB2 device versions**

Standard	Classification
<b>ATEX directive 2014/34/EU</b>	
EN IEC 60079-0 : 2018	General requirements
EN 60079-11 : 2012	Protection by intrinsic safety "i"

**1.5.3.1.2 KB2-HSG / PD2-HSG assemblies**

Standard	Classification
<b>ATEX directive 2014/34/EU</b>	
EN IEC 60079-0 : 2018	General requirements
EN 60079-5 : 2015	Protection by powder filling "q"
EN IEC 60079-7 : 2015 + A1 : 2018	Protection by increased safety "e"
EN 60079-11 : 2012	Intrinsic safety "i"
EN 60079-31 : 2014	Protected by enclosures "t" (dust)

**1.5.3.2 EMC directive 2014/30/EU****1.5.3.2.1 KB2 device versions**

Standard	Classification
DIN EN 61326-1 : 2013-07	Electrical equipment for measurement, control and laboratory use - General requirements
DIN EN IEC 61000-6-2 : 2019-11 EN 61000-6-2/AC : 2005-09	Immunity
EN 61000-6-4/A1 : 2011-02 EN IEC 61000-6-4 : 2019-09	Emitted interference

**1.5.3.2.2 KB2-HSG / PD2-HSG assemblies**

Standard	Classification
EN IEC 61000-6-2 : 2019-11 EN 61000-6-2/AC : 2005-09	Immunity
EN 61000-6-4/A1 : 2011-02 EN IEC 61000-6-4 : 2019-09	Emitted interference

**1.5.3.3 Low voltage directive 2014/35/EU**

Only for versions with "U3".

Standard	Classification
EN 62368-1 : 2014 + AC : 2015 + A11 : 2017	Audio / video, information and communication technology equipment - Safety requirements

**1.5.3.4 Radio equipment directive 2014/53/EU**

Only for versions with "U3".



Standard	Classification
ETSI EN 300330 V2.1.1	Short range devices (SRD)
ETSI EN 301489-1 V2.2.3	Electromagnetic compatibility - Standard for radio equipment and services - Common technical requirements
ETSI EN 301489-3 V2.1.1	Electromagnetic compatibility and radio spectrum matters (ERM) - Electromagnetic compatibility standard for radio equipment and services - Specific conditions for short range devices (SRD)

**1.5.3.5 RoHS directive 2011/65/EU**





Standard	Classification
EN IEC 63000 : 2018	Technical documentation for the assessment of electrical and electronic equipment with regard to the restriction of hazardous substances



## 2 Explanation of symbols

### 2.1 Symbols used in these Operating Instructions







Symbol	Meaning
	Useful hint for making work easier, important note
	Reference to another chapter, another section, another documentation or another web page.

### 2.2 Warning notes

	Dangerous situation which can result in fatal or severe, life-changing injuries if the safety measures are not complied with.
	Dangerous situation which can result in severe injuries if the safety measures are not complied with.
	Dangerous situation which can result in minor injuries if the safety measures are not complied with.
	Dangerous situation which can result in material damage if the safety measures are not complied with.

Symbol	Meaning
	Heat hazard
	Electrostatic discharge hazard

## 2.3 Symbols on the device

Symbol	Meaning
	Device certified for hazardous areas according to ATEX directive.
	Device marking according to EU directive
0158	ID number of monitoring body
	Marking according to WEEE directive 2012/19/EU
	Warning - important information
	Warning of hazardous voltage
	Connection for equipotential bonding

## 3 Safety

The devices have been manufactured according to the state of the art of technology while observing recognised safety-related rules. When using the devices, it is nevertheless possible for hazards to occur to life and limb of the user or third parties or for the devices, environment or material assets to be compromised.

Only use the devices under the following conditions:

- If they are not damaged
- As intended, while remaining aware of safety and hazards
- In accordance with these Operating Instructions

### 3.1 Intended use

The type KB2 device versions are used to enter data, commands etc. on PCs and similar devices in hazardous areas.

They are explosion-protected equipment for use and installation in hazardous areas of Zones 1, 2, 21 and 22. They must be connected to intrinsically safe USB interfaces. Power supply and data communication takes place only via this USB interface.

The KB2 and PD2 device versions are connected via the cables provided.

Various keyboard versions are available that differ in their layout (German, English, French etc.) and in their design (PC keyboard with trackball, touchpad or with joystick).

The KB2 devices are available in the following versions:

- KB2 Keyboards
- PD2 Pointing device

The KB2 and PD2 device versions are installed in a type HSG enclosure, which then represents the assembly of the complete system.

In addition to KB2 and PD2 devices, the UB03-\* device can also be installed in this enclosure.

### 3.2 Predictable improper use

The device may only be installed and connected by specifically trained personnel.

### 3.3 Personnel qualification

Qualified specialist personnel is required to perform the activities described in these Operating Instructions. This primarily applies to work in the following areas:

- Product selection and project engineering
- Mounting / dismounting the device
- Installation
- Commissioning
- Maintenance, cleaning

Specialists who perform these tasks must have a level of knowledge that meets applicable national or equivalent country-specific standards and regulations. Additional knowledge is required for any activity in hazardous areas !

R. STAHL recommends having a level of knowledge equal to that described in the following standards:

- IEC/EN 60079-14 (Electrical installations design, selection and erection)
- IEC/EN 60079-17 (Inspection and maintenance of electrical installations)
- IEC/EN 60079-19 (Equipment repair, overhaul and reclamation)

### 3.4 Special conditions of use

The devices (including their connection cables) may only be installed in areas where there are absolutely no intensive electrostatic loading processes.

If the devices are to be used in areas with dust-explosion hazard, they need to be installed in a suitable enclosure to achieve at least IP64 (acc. to EN IEC 60079-0).

If the device is supplied with a current of over 250 mA in an area with dust-explosion hazard, this must be via an ia current (linear characteristic).

#### **Additional requirements for KB2 / PD2 only**

When the devices are used in gas hazardous areas they have to be installed in a suitable enclosure so that at least IP20 is achieved (acc. to IEC 60529).

The KB2 and PD2 device versions are suitable for installation into the cut-out of an enclosure with IP64 (acc. to EN IEC 60079-0), or into the cut-out of an enclosure with degree of protection EX eb / ec or Ex tb / tc or Ex p. In this case, they fulfil the respective enclosure requirements.

#### **Additional information for KB2 with pointing device and KB2-HSG only**

The connection cable of the devices contains two separate intrinsically safe circuits. The device must be installed in such a way that there is no mechanical impact (tensile force) onto the cable. The cable must be fixed and effectively protected against damage.

#### **Additional information for installation in HSG enclosure**

As a minimum, the installed device must have the same IP degree of protection as the enclosure, and must also be separately certified for this IP degree of protection.

The enclosure must be connected to ground potential, and this connection must not exceed 1 MΩ against the ground. Where appropriate, assembly components or the ground connection of the installed devices may be used.

### Additional information for HSG enclosures with "U3" device version only

For the connection of the UB03 device a cable must be used that has an insulation of at least 0.5 mm between conductor and outer coating.

The cable must be installed inside the enclosure with a minimum distance of 50 mm to bare, conductive parts of the keyboard / pointing device.

## 3.5 Installation safety information

- Only use suitable tools for the installation.
- When keyboards and pointing devices are installed into the cut-out of closed enclosures, the nuts used to fix them must be tightened with a tightening torque of at least 1 Nm.
- The connection cable is approx.. 2.4 m long.
- The connection cable must not be extended or replaced by the customer.
- We recommend you use screened cables with the keyboards and pointing devices. Routing of the cable may reduce performance.
- The shield of the connection cable must be grounded with a maximum of 1 MΩ against the ground.
- The D+ and D- USB data conductors must be twisted right up to the terminals.



Once the devices have been connected to and operated in circuits with ia, ib or ic level of protection or Non-Ex circuits, they must no longer be operated in areas that require circuits with higher levels of protection !

When installed and wired ex factory, the type plate of the keyboards will indicate the applicable level of protection. For Non-Ex circuits, the type plate will indicate "Industrial use only when supplied with non Ex i circuits".

If a device is being replaced, the person responsible for the replacement of the old and / or operation of the new device must ensure that the type plate of the new device indicates the level of protection according to the connected circuit.

### Additional information for KDB2-HSG / PD2-HSG

- The back cover of the enclosure must be fixed with a tightening torque of 3.4 Nm (+0.6 / - 0 Nm).
- Cable that come into contact with conductive parts must be mechanically protected and / or securely installed to avoid damage to the insulation.
- Make sure you are using the correct insulation / distance to achieve safe cable installation with regard to the standards applicable for degrees of protection "i" and "e".
- All Ex e and Ex i circuits must be completely de-energised before the keyboards and pointing devices are connected. Do not open the lid of the enclosure if the devices are energised.

## 3.6 Safety information for operation

- Only operate the devices if they are clean and undamaged. If a device is in any way damaged, do not touch it to avoid injury. In the case of any damage that may compromise ingress protection (e.g. cracks, holes or broken components) the devices must be taken out of commission immediately. Before the device is recommissioned the damaged components must be replaced.
- If the devices are to be used in category 2D/3D or EPL Db/Dc dust deposits thicker than 5 mm must be removed. You must ensure that no high-energy loading mechanisms at the operating surface of the keyboards and pointing devices (e.g. pneumatic particle transport) occur during operation. Do not use the keyboards and pointing devices in environments where propagating brush discharges may occur.
- In case of non-compliance with or contravention of the above explosion-protection is no longer guaranteed and all warranty claims shall be null and void.

## 3.7 Residual risks

### 3.7.1 Explosion hazard

Despite the device's state-of-the-art design, explosion hazards cannot be entirely eliminated in hazardous areas.

- Perform all work steps in hazardous areas with the utmost care at all times !

Possible hazards ("residual risks") can be categorised according to the following causes:

#### Mechanical damage

The device may become damaged during transport, mounting or commissioning. This kind of damage may, for example, render the device's explosion protection partially or completely ineffective. This may result in explosions causing serious or even fatal injury.

- Do not commission a damaged device.
- Only transport the device in special transport packaging that reliably protects the device from external influences. Take ambient conditions into account when selecting the transport packaging (see chapter [16.1 Technical data](#)).
- Do not place any loads on the device.
- Check the packaging and the device for damage. Immediately report any damage to R. STAHL.
- Store the device ideally in its original packaging in a dry place (with no condensation), and make sure that it is stable and protected against the effects of vibrations and knocks.
- Do not damage the device or seals during its installation.

#### Excessive heating or electrostatic charge

- Operate the device only within the prescribed operating conditions (see chapter [4.4 Markings on the device](#) and chapter [16.1 Technical data](#)).
- Mount and install the device in such a way that it is always operated within the permissible temperature range.
- Do not use the device in strong charge-generating environments.
- Avoid friction and flow of particle streams.



- Regularly inspect the device for a material change. If you spot any changes, test or replace the device.
- Only the manufacturer may paint / coat the devices with a special, conductive paint.
- No other person is permitted to paint / coat the device or to touch up its paint / coating. Any repairs must be carried out by the manufacturer only.
- Comply with the area specification of EN/IEC 60079-0 when fitting additional plastic adhesive labels.
- Clean the device with a damp cloth only.

### **Improper mounting, installation, commissioning, maintenance or cleaning**

Basic work such as installation, commissioning, maintenance or cleaning of the device must always be performed in accordance with the applicable national regulations of the country of use and only by qualified persons. Otherwise, the explosion protection may be rendered ineffective. This may result in explosions causing serious or even fatal injury.

- Have the assembly, installation, commissioning and maintenance work performed by qualified and authorised persons only (see chapter [3.3 Personnel qualification](#)).
- Prior to commissioning, check the device is correctly mounted (see chapter [7 Mounting and installation](#)).
- Electrical circuits with Ex i type of protection may no longer be operated as electrical circuits with this type of protection after having been operated with electrical circuits with other types of protection.
- Only connect the device to equipment which does not carry voltages higher than 250 VAC (50 - 60 Hz).
- Connect Ex i devices only to intrinsically safe terminals.
- In hazardous areas, always switch the electrical circuits and devices to a de-energised state before disconnecting or connecting and when mounting / dismantling.
- Do not change or modify the device.
- Any repair on the device is to be performed by R. STAHL only.
- Gently clean the device with a damp cloth only – do not use scratching, abrasive or aggressive cleaning agents or solutions.
- Never clean the device with a strong water jet, such as a pressure washer !

### **3.7.2 Risk of injury**

#### **Falling devices or components**

The device or components can fall during transport and mounting, causing injury to persons in the form of bruises and contusions.

- Use transporting and lifting equipment suitable for the size and weight of the device when transporting and mounting it.
- Observe the weight and the maximum load-bearing capacity of the device; see specifications on the shipping label or on the packaging.
- Use suitable mounting materials for mounting.

## Electric shock

During operation and maintenance, high voltage is at times applied to the device. Because of this, the device must be de-energised during installation. Persons coming into contact with electrical lines carrying excessively high voltage can suffer severe electric shocks and, consequently, injuries.

- Only connect electrical circuits to suitable terminals.

### 3.7.3 Device damage

As a result of unsuitable operating conditions or careless contact the device or individual components may be damaged so significantly that the device does not operate correctly or fails completely.

- Do not subject the device to external heat sources or direct sunshine. Ensure that the maximum ambient temperature is never exceeded.

## 4 Function and device design

### 4.1 Features and versions

#### 4.1.1 Options

The type KB2 device versions are used to enter data, commands etc. at PCs and similar devices. Usually, the devices are connected to operating devices with device platforms MANTA (xx7), SHARK (xx8) and ORCA (ORCA01\*) from R. STAHL. Depending on which version they are, they perform the following tasks:

Technology	Task
KB2 Keyboards	Keyboard with pointing device for entering data and commands
PD2 Pointing device	Separate pointing device to operate menu structures and to pass on commands

#### 4.1.2 Keyboards

The keyboards are available with the following options:

- Pointing device: trackball, touchpad or joystick
- Keyboard layout: German (QWERTZ), American (QWERTY), French (AZERTY), Spanish, Swiss German, Nordic (Swedish, Finnish, Norwegian, Danish), Slovenian, Japanese Hungarian, Ukrainian (see chapter [24.1 Keyboard layouts](#))

#### 4.1.3 Enclosure

The KB2 and PD2 device versions are installed in a type HSG enclosure, which then represents the assembly of the complete system.

- Enclosure material: Stainless Steel V2A (SS304, 1.4301) or V4A (SS316L, 1.4404)



For device platform SHARK only V4A (SS316L, 1.4404)

- Enclosure versions: Keyboard enclosure for Operator station MANTA and ORCA01\* (with support arms for FR / CFR / BD enclosure and ORCA OFR)  
Keyboard enclosure for Operator station SHARK (with support arms for Yokemount)  
Desktop enclosure with keyboard for Non-Ex applications



Mounting a KB2 keyboard at the wall mounting bracket of the SHARK device platform requires the optional HSG-xx8-V4A-KB-MOUNT-W mounting kit (adapter kit for mounting an xx8 keyboard at the wall bracket - SAP no. 267451). This mounting kit is not part of the delivery and must be ordered separately.

- Enclosure option: additional installation of UB03-\*

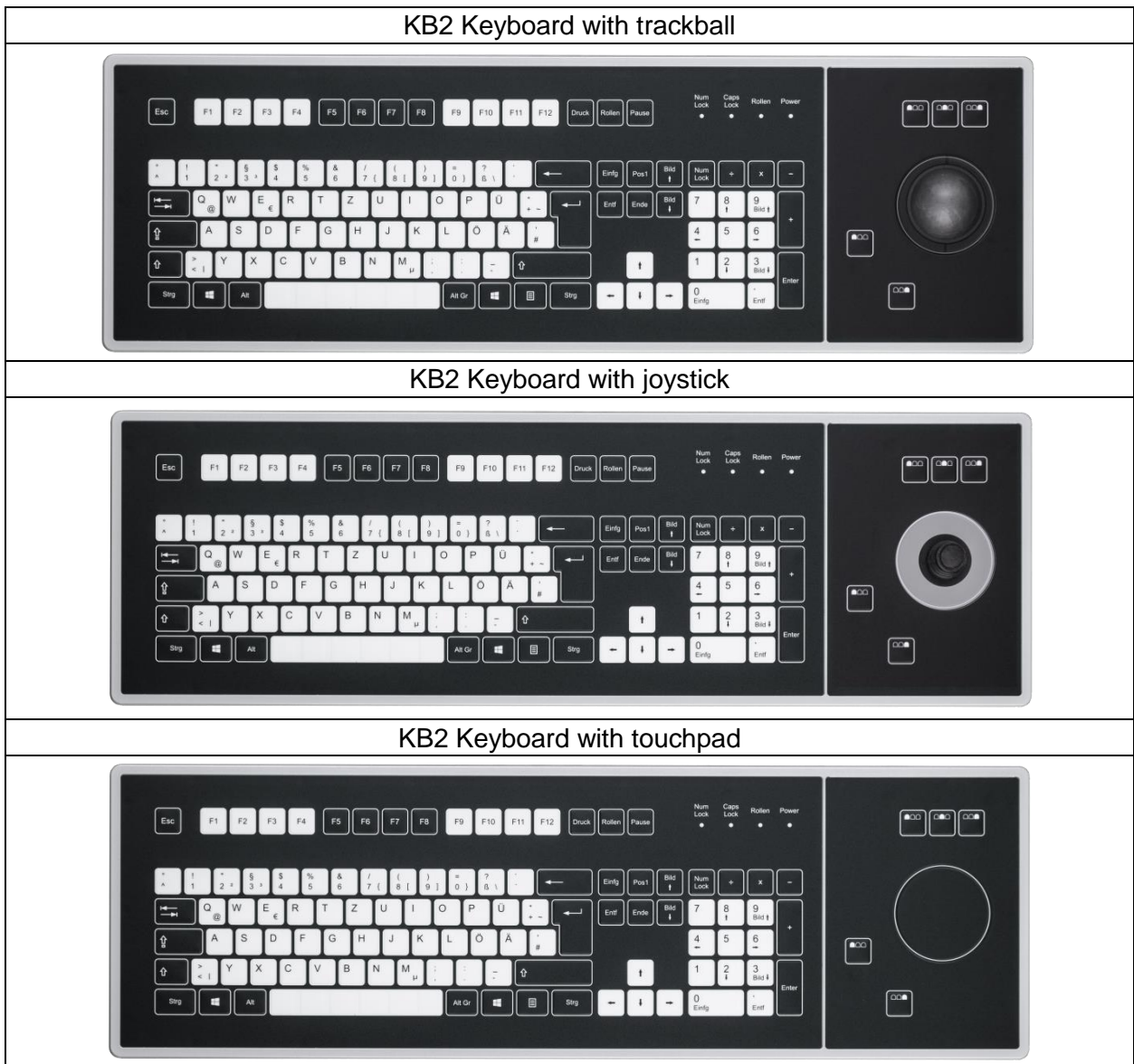


Not for device platform SHARK

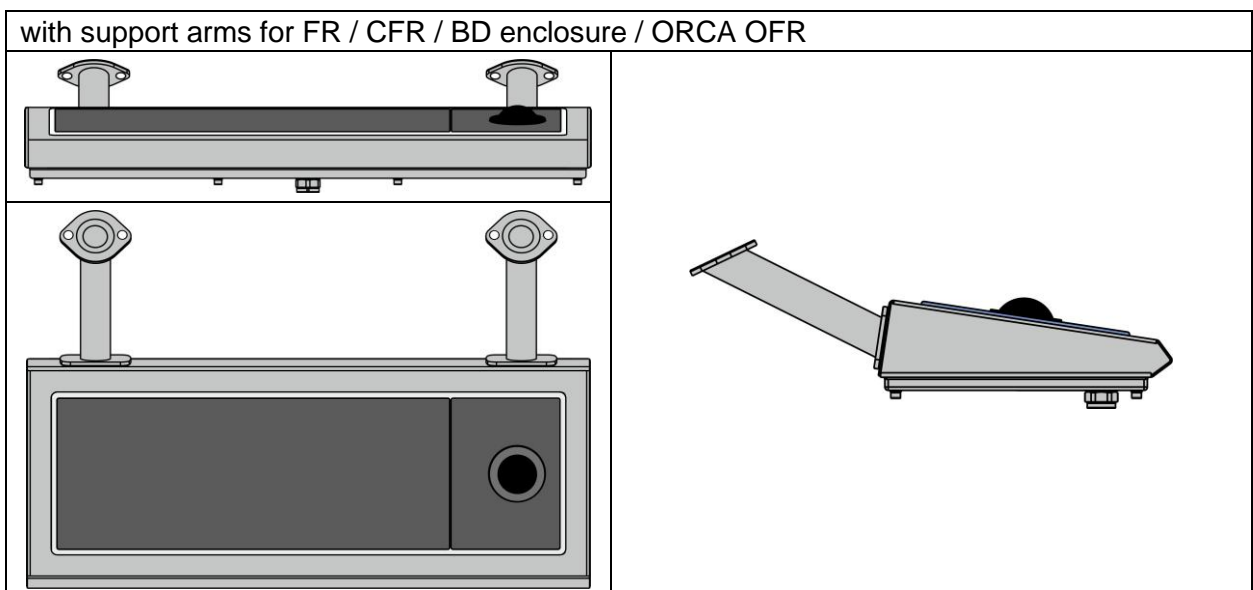


For UB03 documentation, see [r-stahl.com](http://r-stahl.com).

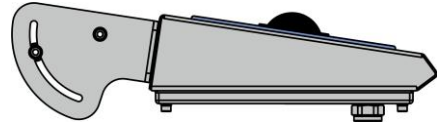
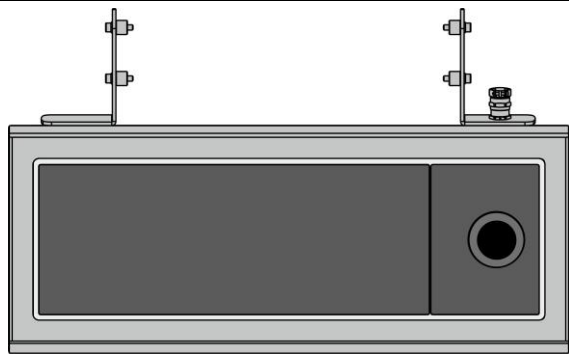
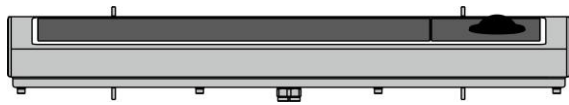
4.1.4 Keyboard versions



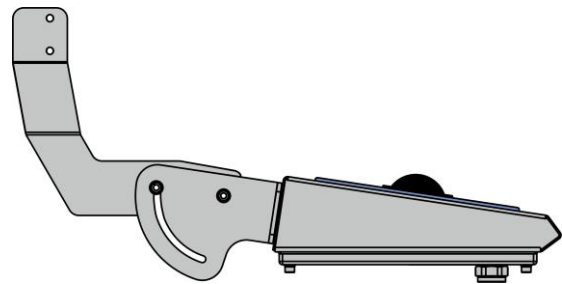
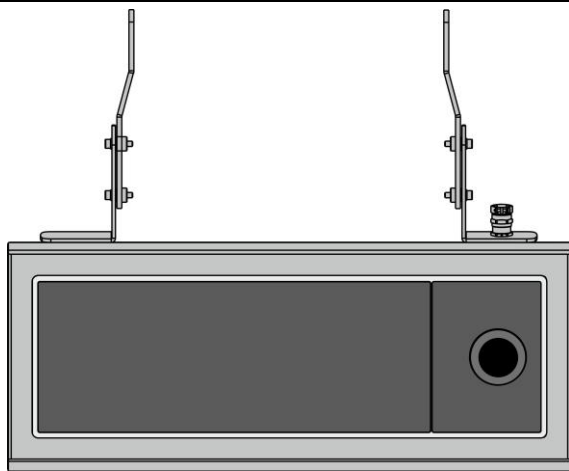
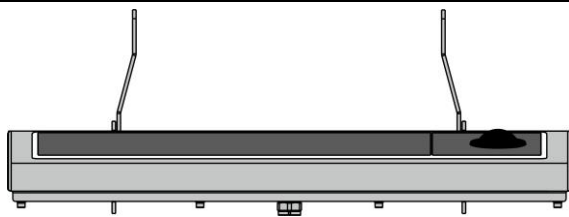
4.1.5 Enclosure versions



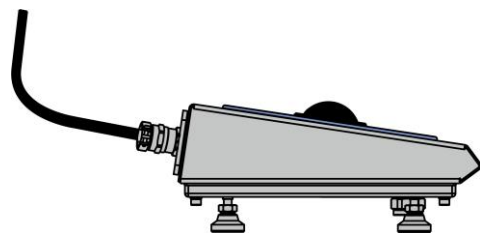
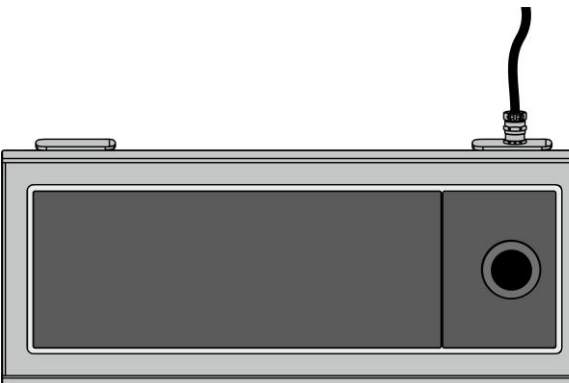
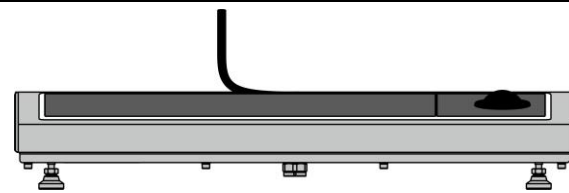
with support arms for Yokemount



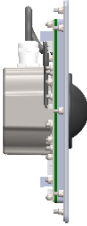
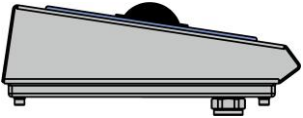

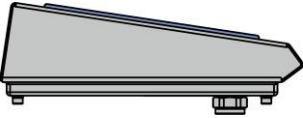
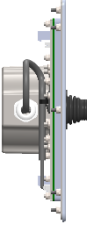
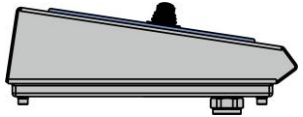
with adapter kit for wall mounting bracket at device platform SHARK



Desktop enclosure



4.1.6 Pointing device

<p>Trackball side view</p>  A detailed side view of a trackball pointing device. It shows a cylindrical metal housing with a black trackball on top. The device is mounted on a green printed circuit board (PCB) with various electronic components and connectors visible.	<p>Side view with trackball inside enclosure</p>  A simplified side view of the trackball device. The trackball is represented as a solid black circle on top of a grey trapezoidal enclosure. The enclosure has a flat base with four small feet.
<p>Touchpad side view</p>  A detailed side view of a touchpad pointing device. It features a rectangular metal housing with a touchpad surface on top. The device is mounted on a green PCB with electronic components.	<p>Side view with touchpad inside enclosure</p>  A simplified side view of the touchpad device. The touchpad is represented as a solid black rectangle on top of a grey trapezoidal enclosure. The enclosure has a flat base with four small feet.
<p>Joystick side view</p>  A detailed side view of a joystick pointing device. It has a cylindrical metal housing with a joystick stem on top. The device is mounted on a green PCB with electronic components.	<p>Side view with joystick inside enclosure</p>  A simplified side view of the joystick device. The joystick is represented as a solid black vertical stem on top of a grey trapezoidal enclosure. The enclosure has a flat base with four small feet.

#### 4.1.7 Scope of delivery

##### a) Complete delivery

- KB2 keyboard with pointing device installed inside HSG enclosure and attached to the xx7 operating device, at the yoke of the xx8 operating device or at the ORCA01\* Operator Station fully wired and operational

- Suction cup for trackball cleaning

or

##### b) KB2-HSG assemblies

- KB2 keyboard with pointing device installed inside HSG enclosure with attached cable (as repair replacement or retrofit).

- Fastening material for mounting at field enclosure for xx7 or fastening material for mounting at yoke for xx8

- Grounding material in bag as loose parts

- Suction cup for trackball cleaning

or

##### c) KB2 device versions

- KB2 keyboard with pointing device, with attached cable (as repair replacement)

- Grounding material in bag as loose parts

- Suction cup for trackball cleaning

or

##### d) KB2-Desktop assemblies


- KB2 keyboard with pointing device built into desktop enclosure with connected cable





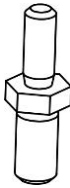



- Binder material consisting of: cable socket, cable plug, contact sockets, contact pins

- Grounding material in bag as loose parts

- Suction cup for trackball cleaning

Fastening material for xx7 / ORCA01*		Fastening material for xx8	
Designation	Number	Designation	Number
Mushroom head screw M6 x 20	4	Allen screw M6 x 25	4
Wave washer M6	4	Washer 6.4	4
Hexagon nut M6 self-locking	4	Spacer	4
Flange seal EPDM	2	-	

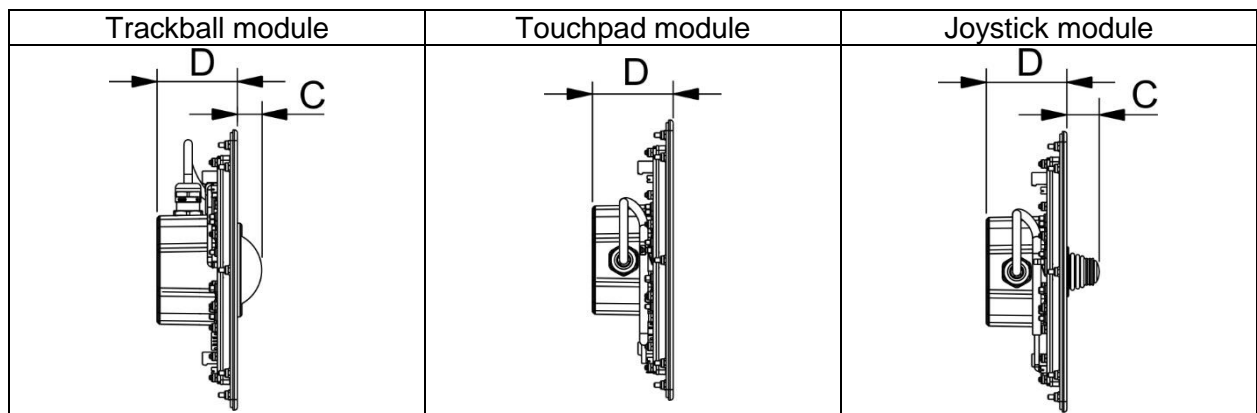
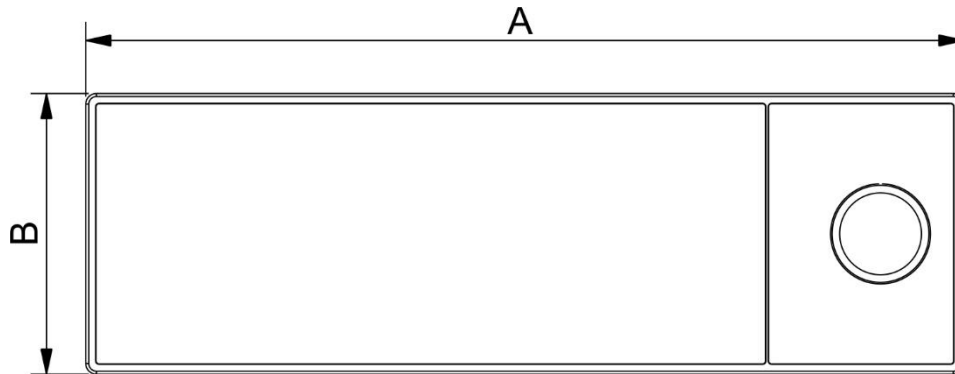
 The earthing material in the accessory bag is complete for all device variants. For using the individual earthing components, see earthing material table.

<b>Earthing material</b>				
Description	Picture	Using (quantity)		
		xx7	xx8	ORCA01*
Distance bolt ii M3 x 12		1x	-	-
Distance bolt IA M3 x 12 (SW 5.5)		-	1x	-
Combined screw with tooth lock washer M3 x 6		1x	1x	-
Tooth lock washer M3		1x	1x	2x
Distance bolt A-A M3 x 8 auf M4 x 8 (SW 5.5)		-	-	1x
Nut M3		-	-	1x
Spring lock washer M3		-	-	1x
Washer		-	-	2x



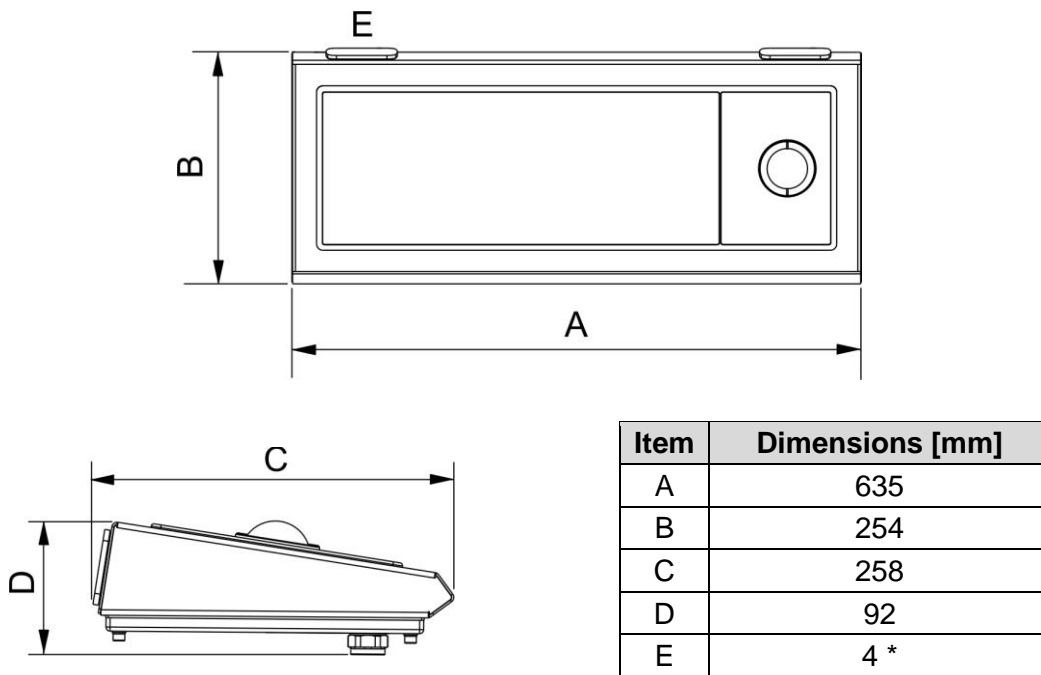
## 4.2 Dimensions


### 4.2.1 Keyboard with pointing device



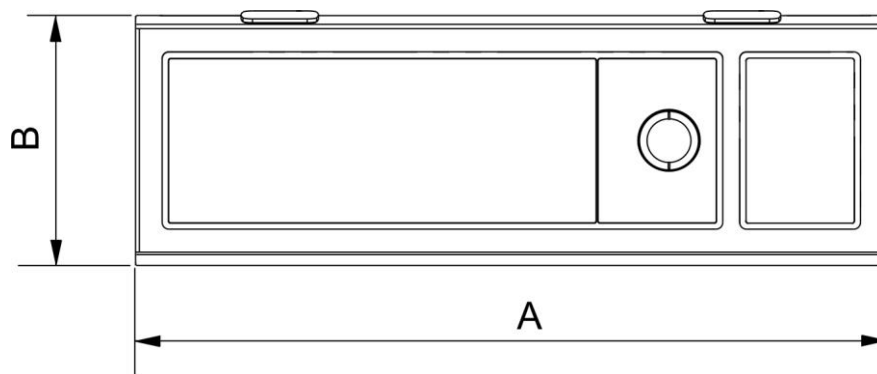
Dimensions [mm]			
Item	KB2 with TB	KB2 with TP	KB2 with JS
A	580		
B	185		
C	16.1	-	21.3
D	53		

4.2.2 Keyboard with pointing device inside HSG



 \* The blind plate E has a thickness of 4 mm.

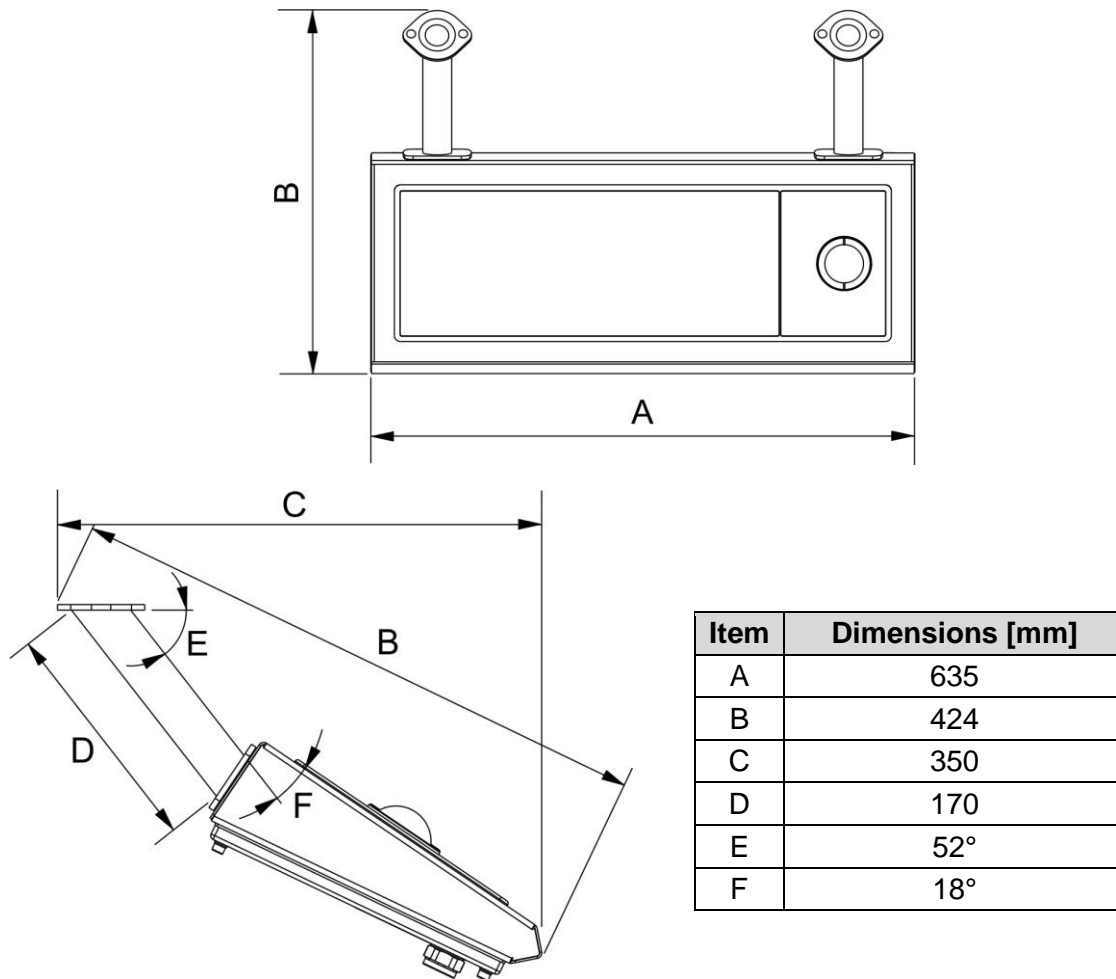
4.2.3 Keyboard with pointing device and UB03 inside HSG



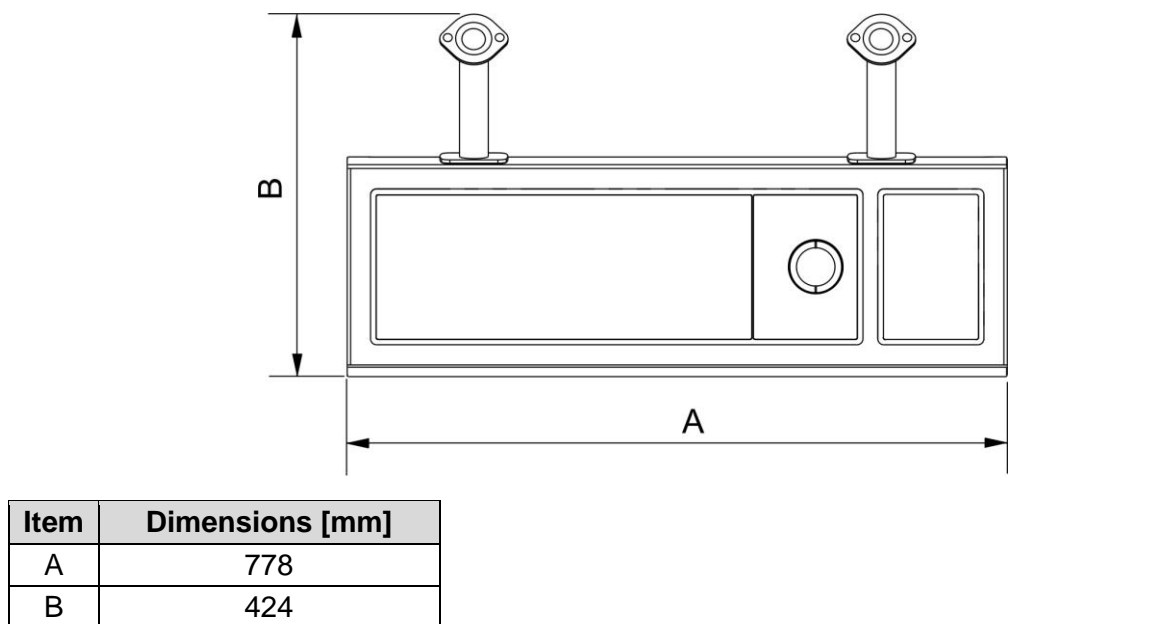
Item	Dimensions [mm]
A	778
B	254

The dimensions of the side view are identical to the enclosures without UB03.

4.2.4 Keyboard with pointing device inside HSG, support arms for FR / CFR / BD / ORCA OFR

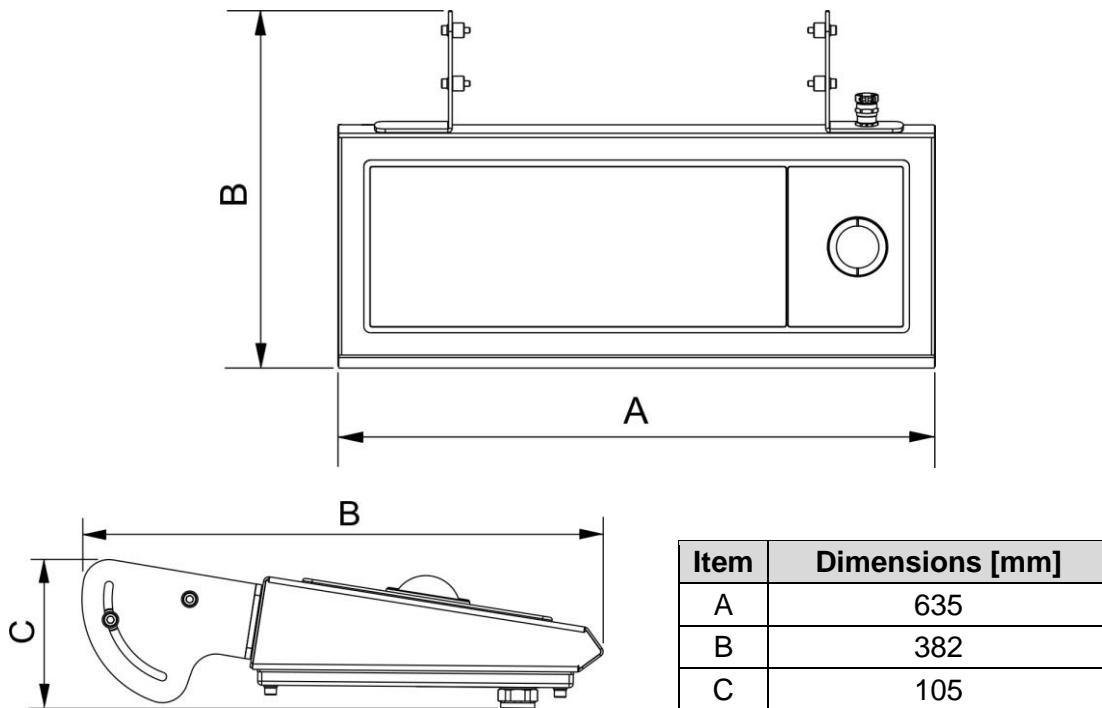


4.2.5 Keyboard with pointing device and UB03 inside HSG, support arms for FR / CFR / BD / ORCA OFR

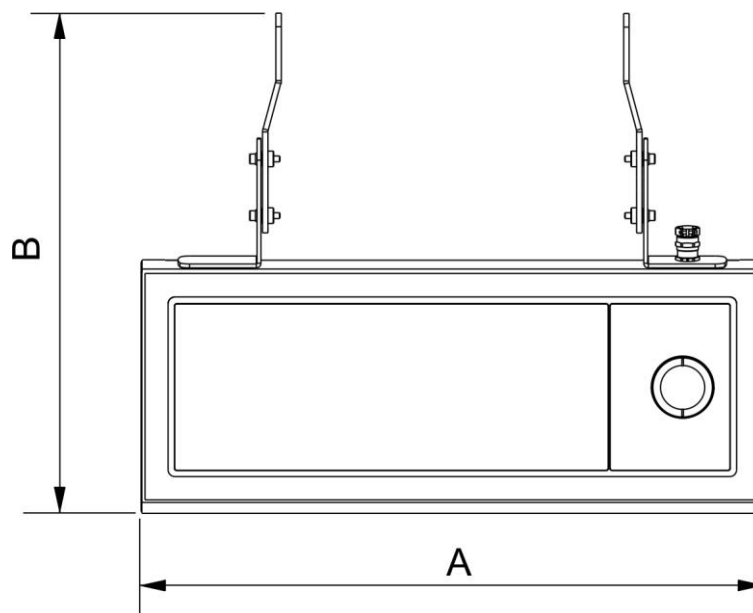


The dimensions of the side view are identical to the enclosures without UB03.

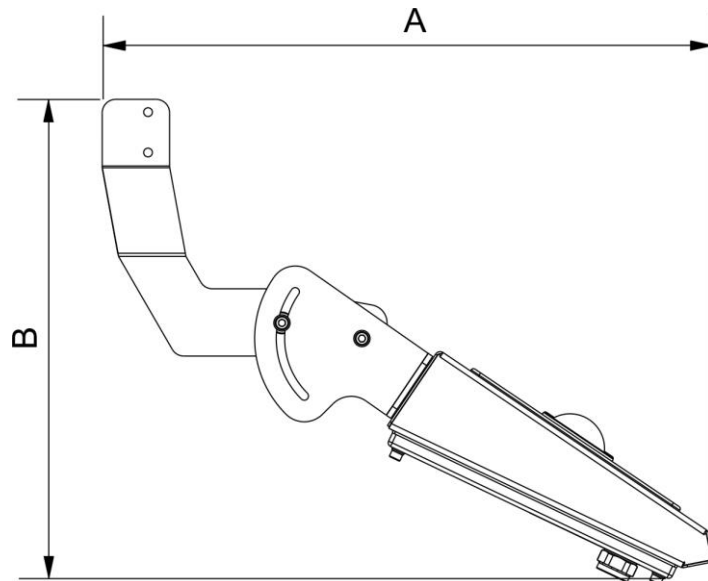
4.2.6 Keyboard with pointing device inside HSG, support arms for Yokemount



4.2.7 Keyboard with pointing device inside HSG for SHARK wall mounting

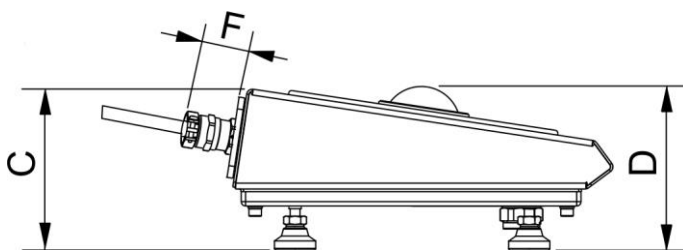
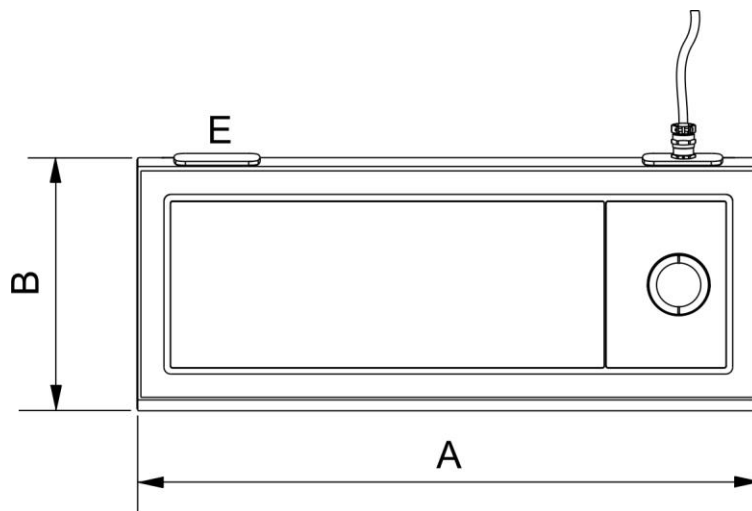


Item	Dimensions [mm]
A	635
B	557




Item	Dimensions [mm]
A	449
B	351

4.2.8 Keyboard with pointing device desktop mounting



Item	Dimensions [mm]
A	635
B	254
C	105
D	109
E	4 *
F	30

 \* The blind plate E has a thickness of 4 mm.

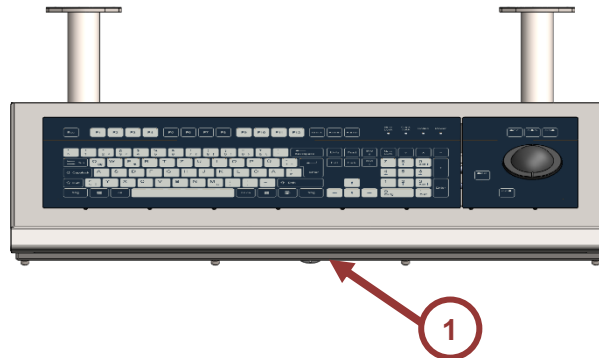
### 4.3 Operating elements



Item	Designation
1	Key allocation according to keyboard layout German (QWERTZ), American (QWERTY), French (AZERTY), Spanish, Swiss German, Nordic (Swedish, Finnish, Norwegian, Danish), Slovenian, Japanese, Hungarian, Ukrainian (see chapter <a href="#">24.1 Keyboard layouts</a> )
2	LEDs for NumLock, CapsLock, Scrolling, Power
3	Mouse keys left, centre, right
4	Mouse keys left, right

## 4.4 Markings on the device

### 4.4.1 Position



Item	Designation
1	Type label on back cover, position bottom centre

### 4.4.2 Design of a type label

AAA-Z1-CCC-DD-EE-F-GG-HSG H II J KKK L00 1

---

Article-Nº: 4 Serial-Nº: 9  
 -40°C ≤ Ta ≤ +70°C 0123456  
 Date: 01.01.2021  
 BVS 20 ATEX E 106X CE HW-Rev: 10  
 IECEx BVS 20.0084K 2 0158 6

---

5 II 2G Ex ia IIC T4 Gb, when supplied with ia-circuits  
 II 2G Ex ib IIC T4 Gb, when supplied with ib-circuits  
 II 2D Ex ia IIC T200 135°C Db, when supplied with ia-circuits 3  
 II 2D Ex ib IIC T200 135°C Db, when supplied with ib-circuits

---

Checked: siehe Betriebsanleitung / see operating instruction

---

R. STAHL HMI Systems GmbH  
 Cologne / Germany  
 www.stahl-hmi.de 8

7

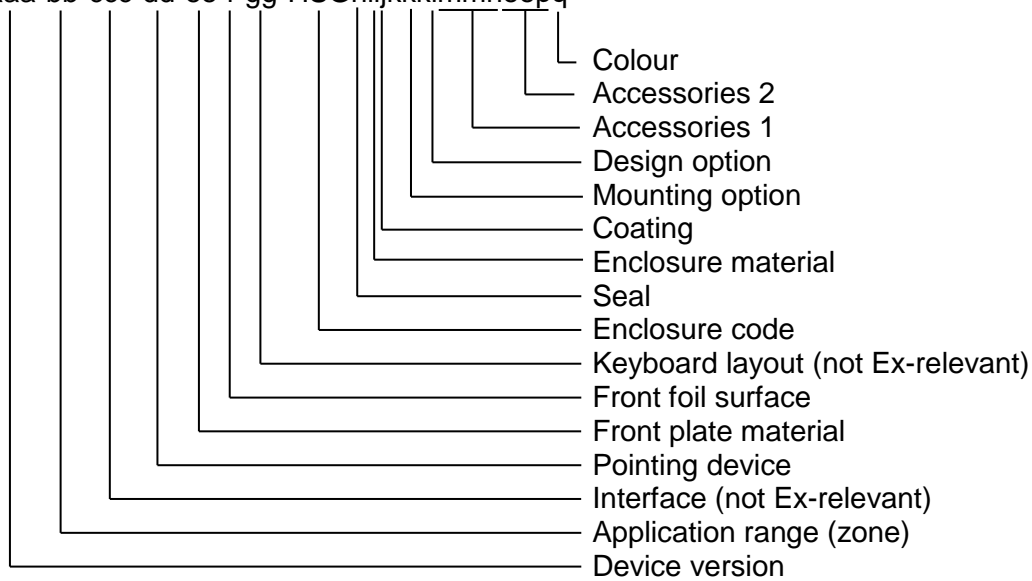
Made in Germany

2020 29 50 2

Item	Designation
1	Type key code, see chapter <a href="#">4.4.3 Type key code layout</a>
2	Testing authority and certificate number
3	Ex marking
4	Operating temperature range
5	Ex symbol
6	CE classification
7	WEEE symbol
8	Manufacturer
9	Serial number
10	Production date

### 4.4.3 Type code layout

aaa-bb-ccc-dd-ee-f-gg-HSGhijklklmmnoopq



**!** Characters a to g of the type code are also used as a separate type code of the KB2 device versions.

Type code digit	Possible value	Description
aaa	KB2	Keyboard with / without pointing device
	PD2	Pointing device (separate)
	KM2	Keyboard matrix ( <i>future realisation</i> )
bb	Z1	Devices for Zone 1, Zone 21, EPL Gb, Db
	Z2	Devices for Zone 2, Zone 22, EPL Gc, Dc
	NX	Devices for Non-Ex
ccc	USB	Interface (not Ex-relevant)
dd	00	no pointing device
	TB	Trackball
	TP	Touchpad
	JS	Joystick
ee	AP	Aluminium, coated
f	P	Polyester foil
	V	Metal foil
gg	DE	German keyboard layout (QWERTZ)
	US	American keyboard layout (QWERTY)
	FR	French keyboard layout (AZERTZ)
	CH	Swiss German keyboard layout
	ES	Spanish keyboard layout
	SI	Slovenian keyboard layout
	ND	Nordic keyboard layout (Swedish, Finnish, Norwegian, Danish)
	JP	Japanese keyboard layout
	HU	Hungarian keyboard layout
	UA	Ukrainian keyboard layout



HSG	HSG	Enclosure
h	1	<i>not used</i>
	2	Silicone foam seal
ii	V2	V2A Stainless steel, SS304, 1.4301
	V4	V4A Stainless steel, SS316L, 1.4404
j	N	No coating (natural or anodic)
	P	Coating
	M	Metal coating
kkk	M00	Desktop version
	M01	Supporting arms for FR / CFR
	M02	Supporting arms for SHARK
	M03	Supporting arms for ORCA OFR
	M04	Customised mounting or mounting at CFRP enclosure
	C00	Supporting arms for non-Ex
l	S	Standard
mmn	00	no accessories 1
	U3R	Cut-out for UB03, right side
oop	000	no accessories 2
q	0	Standard
	D	Drawing number, customised

#### 4.4.4 Type key code KB2 device versions

Product type:

Product key structure	Description
	Variant
KB2-Zb-USB- <b>TB</b> -AP-P-gg	Keyboard with integrated trackball
KB2-Zb-USB- <b>TP</b> -AP-P-gg	Keyboard with integrated touchpad
KB2-Zb-USB- <b>JS</b> -AP-P-gg	Keyboard with integrated joystick
PD2-Zb-USB- <b>TB</b> -AP-P	Pointing device, trackball
PD2-Zb-USB- <b>TP</b> -AP-P	Pointing device, touchpad
PD2-Zb-USB- <b>JS</b> -AP-P	Pointing device, joystick




The lower case letters of the version key stand for the values from the type key table, with which they are replaced as applicable.

**4.4.5 Type key code KB2-HSG assemblies**

Product type

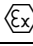
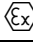
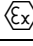
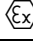
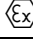
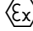
Product key structure	Description
Variant	
KB2-Zb-USB- <b>TB</b> -AP-P-gg-HSG2ViNkkkS0000000	Keyboard with integrated trackball, installed inside a standard keyboard enclosure
KB2-Zb-USB- <b>TP</b> -AP-P-gg-HSG2ViNkkkS0000000	Keyboard with integrated touchpad, installed inside a standard keyboard enclosure
KB2-Zb-USB- <b>JS</b> -AP-P-gg-HSG2ViNkkkS0000000	Keyboard with integrated joystick, installed inside a standard keyboard enclosure
KB2-Zb-USB-dd-AP-P-gg-HSG2ViNkkk <b>SU3R</b> 0000	Keyboard with pointing device, installed inside a standard keyboard enclosure with cut-out for UB03, right side

	The lower case letters of the version key stand for the values from the type key table, with which they are replaced as applicable.
---	---


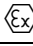
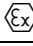



**4.4.6 Ex classification ATEX / IECEx**

Ex marking ATEX / IECEx according to IEC 60079-0 and ATEX directive 2014/34/EU.

**Versions**      **KB2 / PD2 -Z1**  
**KB2 / PD2 -Z1-\*-HSG\*00\***

Version	2014/34/EU prefix	Ex marking	
Gas	 II 2 G	Ex ia IIC T4 Gb	for supply with ia circuits
	 II 2 G	Ex ib IIC T4 Gb	for supply with ib circuits
	 II 3 G	Ex ic IIC T4 Gc	for supply with ic circuits
Dust	 II 2 D	Ex ia IIIC T <sub>200</sub> 135°C Db	for supply with ia circuits
	 II 2 D	Ex ib IIIC T <sub>200</sub> 135°C Db	for supply with ib circuits
	 II 3 D	Ex ic IIIC T <sub>200</sub> 135°C Dc	for supply with ic circuits

**Versions**      **KB2 / PD2 -Z1-\*-HSG\*U3\***

Version	2014/34/EU prefix	Ex marking	
Gas	 II 2 G	Ex eb ia q IIC T4 Gb	for supply with ia circuits
	 II 2 G	Ex eb ib q IIC T4 Gb	for supply with ib circuits
	 II 3 G	Ex eb ic q IIC T4 Gc	for supply with ic circuits
Dust	 II 2 D	Ex ia tb IIIC T135°C Db	for supply with ia circuits
	 II 2 D	Ex ib tb IIIC T135°C Db	for supply with ib circuits
	 II 3 D	Ex ic tb IIIC T135°C Dc	for supply with ic circuits

4.4.7 Ex classification PESO

Versions KB2 / PD2 -Z1  
KB2 / PD2 -Z1-\*-HSG\*

Version	Ex marking
Gas	Ex ia IIC T4 Gb
	Ex ib IIC T4 Gb

	Not for version with U3 !
---	---------------------------

## 5 Transport and storage

<b>NOTE</b>	<p><b>No or damaged packaging during transport and storage</b></p> <p>If the device is transported or stored without packaging, shocks, vibrations, pressure and humidity can directly impact the device. Damaged packaging indicates that the device has been subjected to and possibly been damaged by outside influences. This may result in faulty functionality.</p> <ul style="list-style-type: none"><li>• Check the state of the packaging.</li><li>• Report any damage sustained in transport to the haulier responsible and have it confirmed.</li><li>• Transport and store the device in undamaged packaging, ideally the original packaging.</li></ul>
-------------	---

- Transport and store the device carefully and in accordance with the safety notes (see chapter [3 Safety](#) ).
- Transport and store the device in undamaged packaging, ideally the original packaging.
- Ensure specified storage temperature range is not exceeded (see chapter [16.1 Technical data](#)).
- Store the device in a dry place free of vibrations.
- Do not drop the device.

## 6 Unpacking

- Unpack the device at its final destination.
- Check the contents are complete and undamaged (see chapter [4.1.5. Scope of delivery](#))
- Contact the manufacturer if the contents are incomplete, damaged or not what you have ordered.
- Dispose of the packaging materials according to local regulations.

## 7 Mounting and installation

### 7.1 Note on mounting and installation

Observing the following points will ensure a professional and safe assembly and installation

- Only use threads or holes already present in the enclosure.
- Mount the device carefully and strictly in accordance with the safety notes (see chapter [3 Safety](#)).
- Study the installation conditions and assembly instructions in these Operating Instructions carefully and follow them to the letter.

### 7.2 Requirements for site of installation



Mount the device in such a way that it is always operated within the permissible temperature range.

- Observe the stipulated hazardous zones: Z2 devices may only be installed in Zone 2 and Zone 22.
- The site of installation must be stable and suitable for the dimensions of the device, and able to bear the load of its weight and that of any necessary attachments.
- Avoid trackball / touchpad contamination by saltwater: conductive liquids on the trackball / touchpad may restrict functionality. This applies in particular to salt water.
- Avoid trackball contamination as this may restrict functionality.

### 7.3 Mounting types

The device is mounted and operated horizontally with the supporting arms (usually at the enclosure or yoke of the operating device).

These supporting arms are mounted at the HSG enclosure of the assemblies.



For a detailed description of how to mount the device refer to the Installation Manual stored on the CD / DVD / USB stick included in the delivery or online at [r-stahl.com](http://r-stahl.com).

## 7.4 Installation KB2 in enclosure



For suitable enclosure types, see chapter [3.4 Special conditions of use](#).

### NOTE



#### **Possible mechanical or electrical damage to the keyboard**

Exposed circuit boards and electronic components.

- Take ESD protective measures before installation.
- If possible, do not touch the circuit board areas.

- Prepare the mounting cut-out and hole dimensions for the enclosure in accordance with chapter [20.1 Cut-out KB2](#).
- Carefully insert the keypad into the mounting cut-out
- Fasten the keyboard with M3 lock nuts, tightening torque:  $1.0 \pm 0.1$  Nm
- Electrical installation, instructions according to chapter [7.5 Installation](#)

## 7.5 Installation



### Explosion hazard due to improper installation !

Non-compliance may result in fatal or serious injuries.

- Ensure the atmosphere is non-explosive.
- Make sure that the device is not damaged.
- If the device is connected to the mains:
  - Disconnect the device from the power supply.



### Explosion hazard due to electrostatic charge!

Non-compliance may result in fatal or serious injuries.

- Do not paint / coat the device or retouch its paint / coating. All repairs must be carried out by the manufacturer.
- If additional sticky labels are attached, the specifications of EN IEC 60079-0 must be observed.
- Clean the device with a damp cloth only.

### 7.5.1 General information on electric connection

- Connect cables carefully.
- Do not screw down on the conductor insulation.
- Do not switch conductors.
- Observe code of practice when connecting conductors.
- Firmly screw down conductors.
- Cables are attached ex factory and must not be extended or replaced.
- The KB2 device versions are fitted with an 8-pole cable (+ shield conductor), and the PD2 versions with a 4-pole cable (+ shield conductor).
- Shield the cable with a maximum of 1 MΩ against ground.
- Twist the D+ and D- data conductors until right up to their terminals.
- Pay attention to specified torques for screws to avoid damage to threads.
- Suitable measures against electrical surge during lightning strike may be necessary.
- Only connect and operate keyboards with the same protection level (see note on "[Protection level](#)") !
- For the connection of keyboards to IT-xx7 Non-Ex devices use the "Non-Ex connector KB2 set" (2x USB connector) (SAP no. 301224) !

### 7.5.2 Connecting the device

1. Connect the USB conductors according to the terminal diagram (see chapter [19.1 Connection overview terminal assignment KB2](#))
2. Make sure the pin assignment is correct.

### 7.5.3 Grounding the device

- Connect the shield with the cable lug to the PA ground connection (see chapter [19.1 Connection overview terminal assignment KB2](#)).

## 8 Initial start-up

### Conditions:

The device has been installed correctly.

The device has been connected to the equipotential bonding.


1. Since factors such as storage or temperature can have an impact on the cables and cable glands, check the following connections:
  - Connection terminals
  - Existing screw connections
2. Switch on the operating device (HMI).
  - Together with the operating device, the KB2 device is immediately operational.


## 9 (Re-) Commissioning



1. Check the device is correctly installed:
  - Connection terminals
  - Existing screw connections
2. Check the device for visible damage.
  - Only commission the device if there is no visible damage and if it has been correctly installed.
3. Switch on the operating device (HMI).
  - Together with the operating device, the KB2 device is immediately operational.



## 10 Operation

 <b>DANGER</b>	<p><b>Explosion hazard due to damaged device !</b>          Non-compliance may result in fatal or serious injuries.          In case of damage or changes to the factory state:</p> <ul style="list-style-type: none"> <li>• Decommission device immediately.</li> <li>• Contact manufacturer.</li> </ul>
---	---

 <b>DANGER</b>	<p><b>Explosion hazard due to electrostatic charge !</b>          Non-compliance may result in fatal or serious injuries</p> <ul style="list-style-type: none"> <li>• Do not paint / coat the device or retouch its paint / coating. All repairs must be carried out by the manufacturer.</li> <li>• If additional sticky labels are attached, the specifications of EN IEC 60079-0 must be observed.</li> <li>• Clean the device with a damp cloth only.</li> </ul>
---	--





 <b>WARNING</b>  	<p><b>Hot surfaces !</b>          Non-compliance may result in minor burns.          In ambient temperatures exceeding +45 °C the surface of the device may heat up.</p> <ul style="list-style-type: none"> <li>• Do not touch the device.</li> </ul>
---	---

- Conductive liquids on the trackball / touchpad may restrict functionality. This applies in particular to salt water.  
 Avoid contamination of the trackball / touchpad with salt water.
- Avoid trackball contamination as this may restrict functionality.
- Regularly clean the trackball (see chapter [22.1 Trackball cleaning](#)).

### 10.1 Switching the device on and off

The device is switched on and off together with the operating device (HMI).  
 When the operating device is switched on, the device is immediately operational.

## 11 Maintenance, overhaul and repair

 <b>DANGER</b>	<b>Explosion hazard due to damaged seal !</b> Non-compliance may result in fatal or serious injuries. <ul style="list-style-type: none"><li>• In case of damage or changes to the factory state immediately decommission the device.</li><li>• Contact manufacturer.</li></ul>
 <b>DANGER</b>	<b>Explosion hazard due to incorrect maintenance, overhaul or repair !</b> Non-compliance may result in fatal or serious injuries. <ul style="list-style-type: none"><li>• Ensure the atmosphere is non-explosive.</li><li>• Make sure that the device is not damaged.</li><li>• Do not open the enclosure.</li><li>• If the device is connected to the operating device:<ul style="list-style-type: none"><li>○ Disconnect the operating device from the power supply.</li><li>○ Isolate supply and all Ex e circuits and wait 5 minutes before opening the terminal boxes of the operating device.</li></ul></li></ul>
 <b>WARNING</b> 	<b>Hot surfaces at the device !</b> Non-compliance may result in minor burns. In ambient temperatures exceeding +45 °C the surface of the device may heat up. <ul style="list-style-type: none"><li>• Do not touch the device.</li></ul>

### 11.1 Servicing

When servicing the device, check the following points in addition to those stipulated in the national regulations:

- Damage to seals: cracks or other visible damage to the device enclosure and / or the protective enclosure.
- All cables and conductors securely connected: conductors tightly clamped
- All cables and conductors undamaged
- Compliance with permitted temperature range
- Mounting fits securely, all screws tightened fast
- Ensure pointing devices are clean
- Ensure the device is used as intended
- Only connect and operate keyboards with the same protection level (see note on "[Protection level](#)") !

## 11.2 Maintenance

Because the transmission of the devices remains reliable and stable over long periods of time, regular adjustments are not required.

- Regularly clean the trackball.
- If the device is operated in temperatures around freezing point, clean the trackball regularly to ensure there is no liquid / water inside it.
- Clean the trackball with a damp cloth only. Do not use any abrasive cleaning materials, and no cleaning agents. Under adverse ambient conditions the trackball may have to be cleaned at shorter intervals.
- Replace damaged seals with original parts by the manufacturer only.



For trackball cleaning, see chapter [22.1 Trackball cleaning](#)

## 11.3 Repair

The devices cannot be repaired by the customer.

- Any repair on the device is to be performed by R. STAHL only.
- The devices must be dismantled by qualified staff only (see chapter [3.3 Personnel qualification](#)).
- Returned devices must be accompanied by a description of the fault.
- Remove any residual substances. Take particular care with seal notches and slits to which residual substances might adhere.



**CAUTION**

### **Substance residues adhering to device**

Substance residues adhering to the device may result in skin lesions and must be removed.

- Do not return any devices for which you cannot be absolutely sure that any hazardous substance residues have been completely removed.

## 12 Returning the device

Only return or package the devices after consulting R. STAHL. Contact the responsible representative from R. STAHL. R. STAHL's customer service is available to handle returns if repair or service is required.

Contact customer service via E-mail or telephone:

- E: service.dehm@r-stahl.com
- T: +49 221 76806 3000

Requesting a RMA ticket via our website:

- Go to [r-stahl.com](https://www.r-stahl.com).
- Under "Support" > "RMA form", select "Request RMA ticket".
- Fill in and send the form.
- You will automatically receive an E-mail with an RMA ticket.
- Print out the RMA ticket.
- Clearly copy the RMA number onto the outside of the package.
- Send the device with the RMA ticket included in the package to R. STAHL HMI Systems GmbH (see chapter [1.1 Manufacturer](#) for the address).

## 13 Cleaning

- Check the device for damage before and after cleaning it. Decommission damaged devices immediately.
- Devices located in hazardous areas may only be cleaned with a damp cloth to avoid electrostatic charge.
- When cleaning with a damp cloth, use water or mild, non-abrasive, non-scratching cleaning agents.
- Do not use abrasive detergents or solvents.
- Never clean the device with a strong water jet, such as a pressure washer.



For trackball cleaning, see chapter [22.1 Trackball cleaning](#)

## 14 Disposal

- Observe national, local and statutory regulations regarding disposal.
- Separate materials for recycling.
- Ensure environmentally friendly disposal of all components according to statutory regulations.



For disposal and restricted substances, see [Chapter 20.1 Disposal / Restricted substances](#).

## 15 Accessories

### NOTE

**Malfunction or damage to the device due to the use of non- original components.**

Non-compliance may result in material damage.

- Only use original R. STAHL HMI Systems GmbH accessories.

## 16 Appendix A

### 16.1 Technical data

Function / Equipment	KB2-HSG assemblies
Power supply	via USB interface
Interfaces	USB
Connection	open cable end
Cable type	standard USB
Cable conductors (number)	8 + shield
Cable lengths	
Total length	2.4 m (must not be extended by the customer !)
Usable length	
for version M00	
for version M01 (MANTA)	1.95 m from the support arm exit
for version M02 (SHARK)	from the edge of the enclosure approx. 0.65 m
for version M03 (ORCA01)	
Keyboard layout (standard)	German (QWERTZ), American (QWERTY), French (AZERTY)
Other keyboard layouts	Spanish, Swiss German, Nordic (Swedish, Finnish, Norwegian, Danish), Slovenian, Japanese, Hungarian, Ukrainian
Number of keys	105 104 (American), 109 (Japanese)
Keyboard foil	Polyester
Key technology	
Switching force / travel	2.55 N / 0.55 mm
Service life	at least 1,000,000 actuations
Design	
Trackball	
Ball diameter [mm]	50
Switching force / travel	2.55 N / 0.55 mm
Service life	1,000,000 ball rotations
Joystick	
Length [mm]	24.3
Switching force / travel	2.55 N / 0.55 mm
Service life	1,000,000 actuation cycles
Enclosure	V2A stainless steel (SS304, 1.4301) or V4A stainless steel (SS316L, 1.4404)
Enclosure protection type	IP66
Front	IP66
Back	IP66
Operating temperature range	
Operation	-40 °C ... +70 °C
Storage temperature range	-40 °C ... +70 °C
Relative humidity	10% to 90% relative humidity, non-condensing
Damp heat	+95 °C / 90 %
MTBF	min. / typ. 50,000 h at Ta 20 °C (68 °F) and intended purpose

Dimensions [mm]	without cable
Keyboard with enclosure HSG	without cable and screw connections
Width x length (W x L)	635 x 254
Height (H)	92
Width x length (W x L) with UB03	778 x 254
Width x length x height (W x L x H) with support arm for FR / CFR / BD / ORCA OFR	635 x 350 x 424
Width x length x height (W x L x H) with UB03 with support arm for FR / CFR / BD / ORCA OFR	778 x 350 x 424
Width x length x height (W x L x H) with support arm for Yoke mount	635 x 382 x 105
Keyboard without enclosure	without cable
Width x length x deep (W x L x D)	580 x 185 x 53
Total height (H) with trackball	69.1
Total height (H) with joystick	74.3
Total weight [kg]	
for version M01 (MANTA) and M03 (ORCA01)	8.5
for version M01 (MANTA) with UB03 and M03 (ORCA01)	11
for version M02 (SHARK)	8.2
Own weight keyboard [kg]	2.4

## 16.2 Overview Hardware Revision

HW-Rev.	Device type	Technical modifications	Modification date Hardware	OI version	OI date
-	KB2 Keyboards PD2 Pointing device KB2-HSG / PD2-HSG Assemblies	Initial	-	01.00.00	30.04.2021
01.01.02	KB2 Keyboards PD2 Pointing device KB2-HSG / PD2-HSG Assemblies	New controller	05/2024	01.01.00	09.04.2024

## 17 Appendix B

### 17.1 Permitted maximum values

#### 17.1.1 KB2 / PD2 versions

Cable	Colour	Connection	Signal name	Name
1	White	Keyboard	+5 V	Power supply +UB
2	Green		USM_m	Data conductor D-
3	Yellow		USM_p	Data conductor D+
4	Brown		GND	Power supply GND
5	Red	Pointing device	+5 V	Power supply +UB
6	Grey		USM_m	Data conductor D-
7	Pink		USM_p	Data conductor D+
8	Blue		GND	Power supply GND

Cable	Colour	Connection	Signal name	Name
1	White	PD2	+5 V	Power supply +UB
2	Green		USM_m	Data conductor D-
3	Yellow		USM_p	Data conductor D+
4	Brown		GND	Power supply GND

$U_i$		=	5.9	VDC	$U_o$	=	$U_i$
$I_i$	Group III ib / ic	=	250	mA	$I_o$	=	$I_i$
$P_i$		=	650	mW	$P_o$	=	$P_i$
$C_i$		=	21	$\mu$ F	$C_o$	=	-
$L_i$		=	1.68	$\mu$ H	$L_o$	=	-



For the fixed cable, an additional capacity value of 200 pf/m and inductance value of 1  $\mu$ H/m must also be taken into account !

When connecting to operating devices with MANTA platform:



When the power supply is located in dust hazardous areas, the devices must be installed inside a suitable enclosure to ensure at least IP64 according to EN IEC 60079-0 !

$I_i$	Group II / III ia	=	319	mA	$I_o$	=	$I_i$
-------	-------------------	---	-----	----	-------	---	-------



## 17.1.2 For HSG enclosures with "U3" device version



Only version UB03-USB is available for KB2 keyboards with UB03. Version UB03-RS-422 is not possible !



Only representation of the relevant data.

USB version					
Terminal	Pin	Signal	typical colour coding		Connection / function
			USB 2.0 cable	Profinet cable	
X1	1	VBUS	Red	Orange	+5 VDC power supply
	2	USB D-	White	White	Data conductor -
	3	USB D+	Green	Blue	Data conductor +
	4	GND	Black	Yellow	0 VDC power supply
X2	Not in use / do not allocate !				

Device power supply X1 pins 1 and 4:

Nominal voltage		=	5 ... 30	VDC
Nominal current		=	max. 1	A
Nominal power		≤	30	W
Max. input voltage	$U_m$	=	250	VAC

Data cable X1 pins 2 and 3:

Nominal voltage	=	5 VDC
Max. input voltage $U_m$	=	250 VAC

## 18 Appendix C

### 18.1 Proof of intrinsic safety

Proof of intrinsic safety for connection of KB2 keyboards with HMI devices with platforms MANTA (ET-/MT-xx7), SHARK (ET-/MT-xx8) and ORCA (ORCA01\*).

#### 18.1.1 General information

Proof of intrinsic safety is given on the basis of the IEC/EN 60079-14 and the standards referred to therein. In particular, we refer to Chapter 12 "Additional requirements for type of protection i - intrinsic safety" in IEC/EN 60079-14.

Proof has been produced on the basis of the Certificate of Conformity according to IEC/EN 60079- 0 and IEC/EN 60079-11 or the EC Type Examination Certificate according to the 2014/34/EU directive and the comparison of the safety-relevant data listed therein.

The following Type Examination Certificates were used:

<i>Device</i>		<i>Type Examination Certificate</i>
ET-xx7	—	BVS 11 ATEX E 102 X
MT-xx7	—	BVS 12 ATEX E 033 X
ET-xx8	—	BVS 14 ATEX E 134 X
MT-xx8	—	
ORCA01*	—	UL 23 ATEX 2902X
KB2 keyboards and assemblies	—	BVS 20 ATEX E 078 X BVS 20 ATEX E 079 X BVS 20 ATEX E 106 X BVS 20 ATEX E 107 X

The relevant test body has listed **all** conditions applicable to intrinsic safety in the type examination certificates.

For example, if a type examination certificate for a specific device only lists the applicable voltage ( $U_i$ ), this means that intrinsic safety is guaranteed for connections if the associated power supply device does not exceed this voltage level ( $U_o$  is smaller than / equal to  $U_i$ ).

Other output parameters defined in the test certificate of the power supply device (e.g.  $I_o$ ,  $P_o$ ) are irrelevant to intrinsic safety concerns.



The data listed in this document **DO NOT** absolve the installers / operators of each system from their duty and responsibility to observe the applicable statutory requirements, directives and regulations. In any case, the associated due diligence remains the responsibility of the installer and / or the operator !

### 18.1.2 Connections

Examination of the voltage, current, capacitance and inductance values of all circuits to establish the connection between the KB2 keyboards and assemblies with MANTA (ET-/MT-xx7), SHARK (ET-/MT-xx8) and ORCA (ORCA01\*) devices.

#### a) ET-/MT-xx7 HMI device with KB2 keyboards / assemblies

Source / active		==>	Sink / passive
ET-/MT-xx7			KB2 keyboards / assemblies
Terminals X11 / X12			Keyboard connection
$U_o = 5.5 \text{ VDC}$		$\leq$	$U_i = 5.9 \text{ VDC}$
$I_o = 309 \text{ mA}$		$\leq$	$I_i = 319 \text{ mA}$
$P_o = 629 \text{ mW}$		$\leq$	$P_i = 650 \text{ mW}$
$C_o [\mu\text{F}] =$	50	$\geq$	$C_i = 21 \mu\text{F}$
$L_o [\mu\text{H}] =$	40	$\geq$	$L_i = 1.68 \mu\text{H}$

$C_o$  and  $L_o$  pairs directly above / underneath each other may be used.



For the fixed cable, an additional capacity value of 200 pf/m and inductance value of 1  $\mu\text{H}/\text{m}$  must also be taken into account !

#### b) ET-/MT-xx8 HMI device with KB2 keyboards / assemblies

Source / active		==>	Sink / passive
ET-/MT-xx8			KB2 keyboards / assemblies
Terminals X33 / X34			Keyboard connection
$U_o = 5.36 \text{ VDC}$		$\leq$	$U_i = 5.9 \text{ VDC}$
$I_o = 249.85 \text{ mA}$		$\leq$	$I_i = 250 \text{ mA}$
$P_o = 518 \text{ mW}$		$\leq$	$P_i = 650 \text{ mW}$
$C_o [\mu\text{F}] =$	21	$\geq$	$C_i = 21 \mu\text{F}$
$L_o [\mu\text{H}] =$	4.68	$\geq$	$L_i = 1.68 \mu\text{H}$

$C_o$  and  $L_o$  pairs directly above / underneath each other may be used.



For the fixed cable, an additional capacity value of 200 pf/m and inductance value of 1  $\mu\text{H}/\text{m}$  must also be taken into account !

#### c) ORCA01\* device with KB2 keyboards / assemblies

Source / active		==>	Sink / passive
ORCA01*			KB2 keyboards / assemblies
Terminals X5 / X6			Keyboard connection
$U_o = 5.36 \text{ VDC}$		$\leq$	$U_i = 5.9 \text{ VDC}$
$I_o = 249 \text{ mA}$		$\leq$	$I_i = 250 \text{ mA}$
$P_o = 550 \text{ mW}$		$\leq$	$P_i = 650 \text{ mW}$
$C_o [\mu\text{F}] =$	21	$\geq$	$C_i = 21 \mu\text{F}$
$L_o [\mu\text{H}] =$	5	$\geq$	$L_i = 1.68 \mu\text{H}$

$C_o$  and  $L_o$  pairs directly above / underneath each other may be used.



For the fixed cable, an additional capacity value of 200 pf/m and inductance value of 1  $\mu\text{H}/\text{m}$  must also be taken into account !

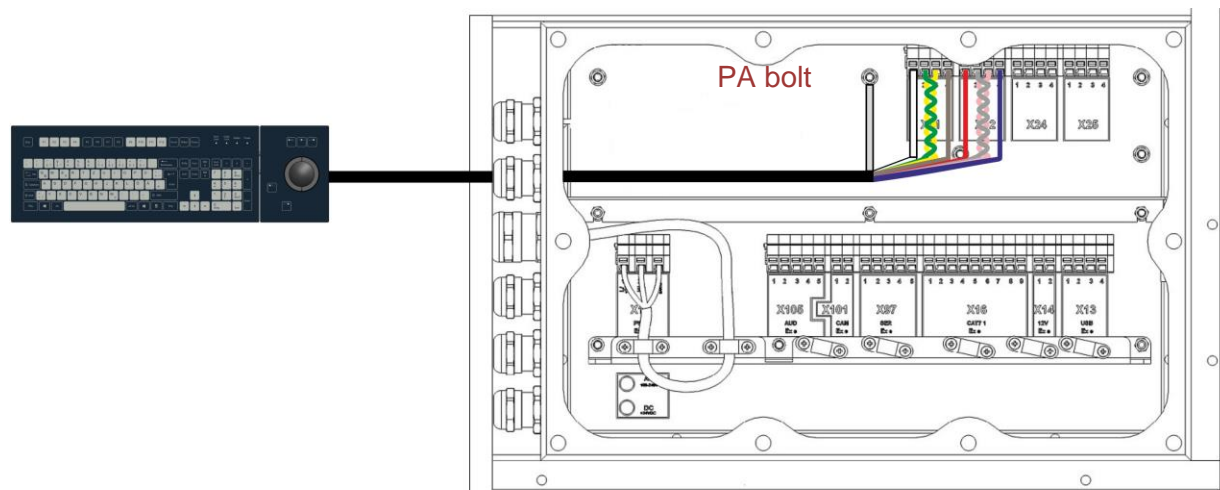
## 19 Appendix D

### 19.1 Connection overview cable assignment KB2

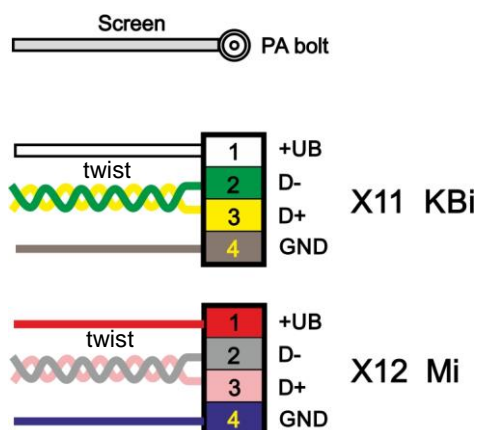
**!** The length of the connection cable (see [Technical data](#)) must not be extended or replaced by the customer !

Cable	Colour	Connection	Signal name	Name
1	White	Keyboard	+5 V	Power supply +UB
2	Green		USM_m	Data conductor D-
3	Yellow		USM_p	Data conductor D+
4	Brown		GND	Power supply GND
5	Red	Pointing device	+5 V	Power supply +UB
6	Grey		USM_m	Data conductor D-
7	Pink		USM_p	Data conductor D+
8	Blue		GND	Power supply GND
Screen	-		Screen	Connect shielding to ground (< 1 MΩ)

#### 19.1.1 KB2 at ET-/MT-xx7

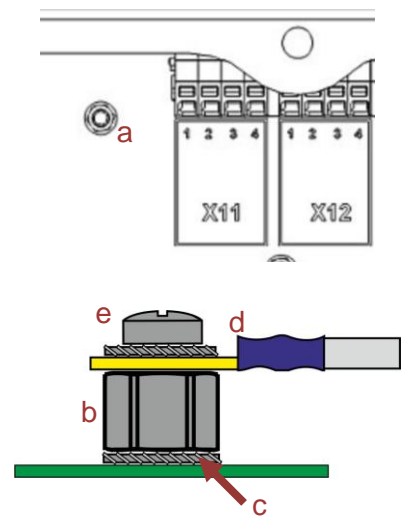


#### Detailed view terminal assignment



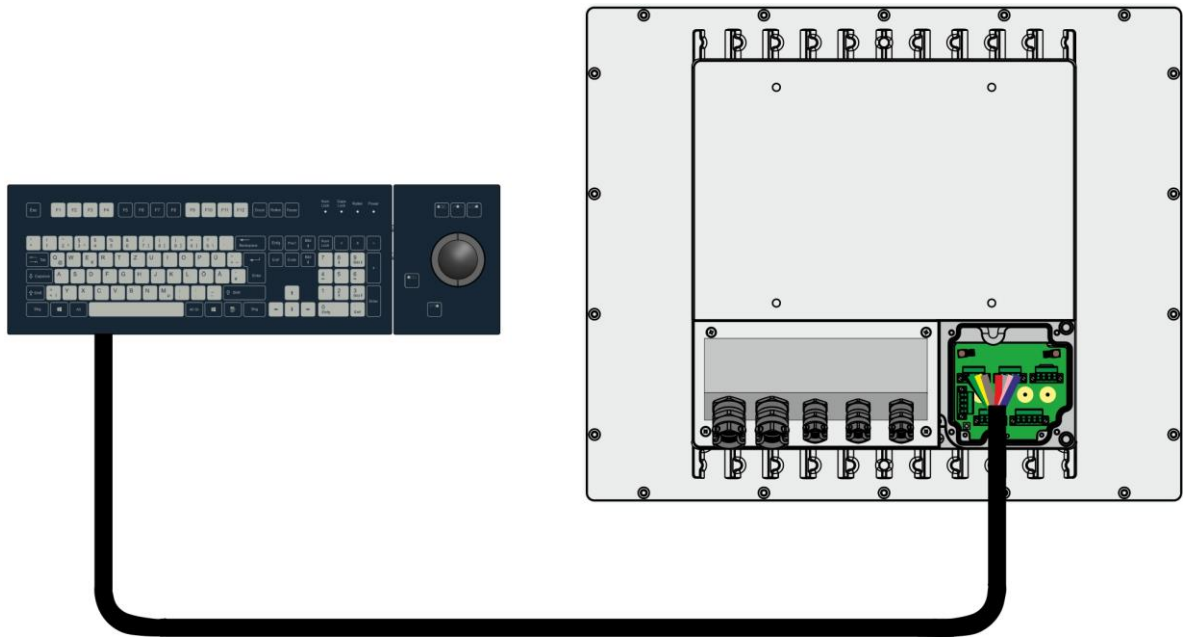
#### Ground connection

- unscrew existing nut (a)
- Screw on distance bolt l/I (b) with tooth lock washer (c) (tightening torque 1 Nm)
- Attach ring cable lug (d) with combined screw and tooth lock washer (e)

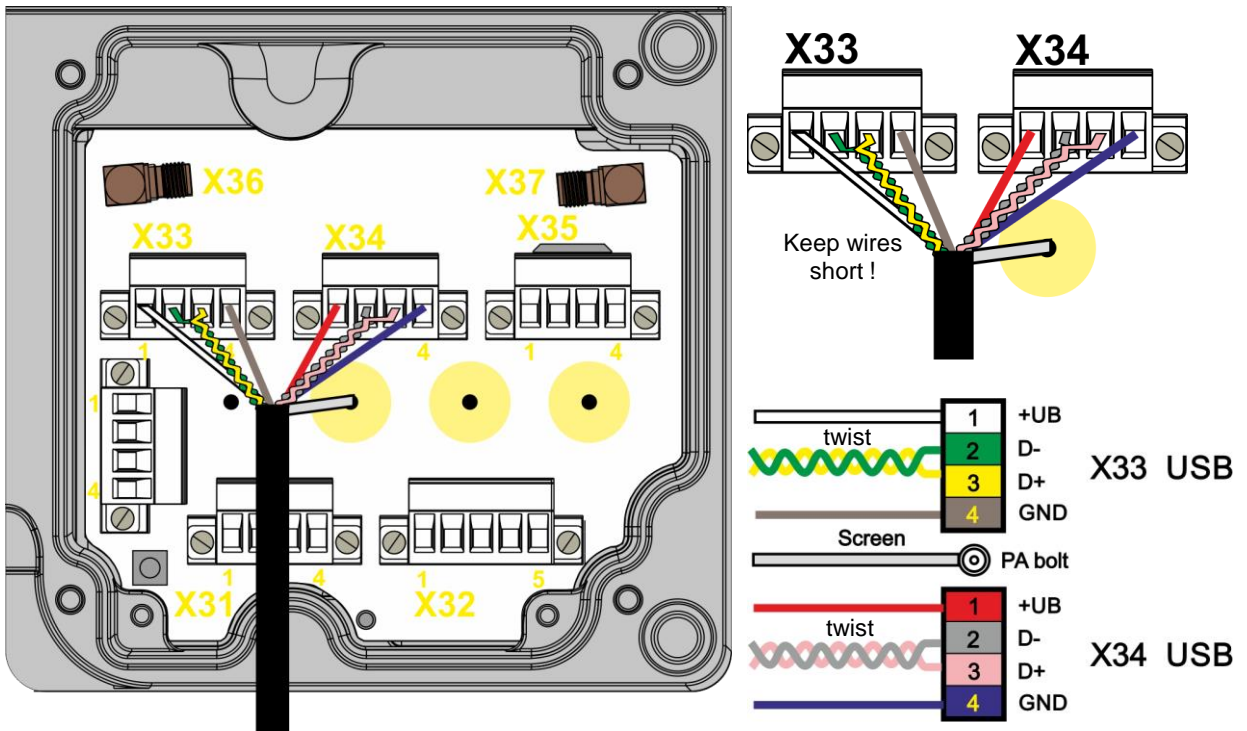


**!** Earthing material see [4.1.7 Scope of delivery](#)

19.1.2 KB2 at ET-/MT-xx8

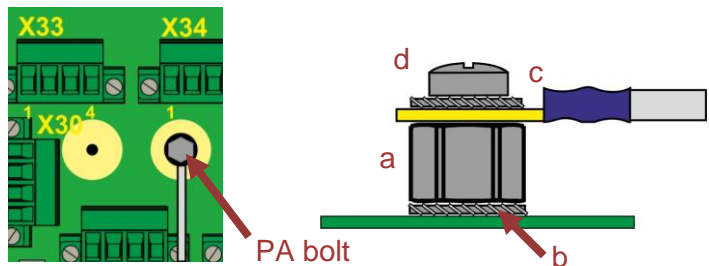


Detailed view terminal assignment



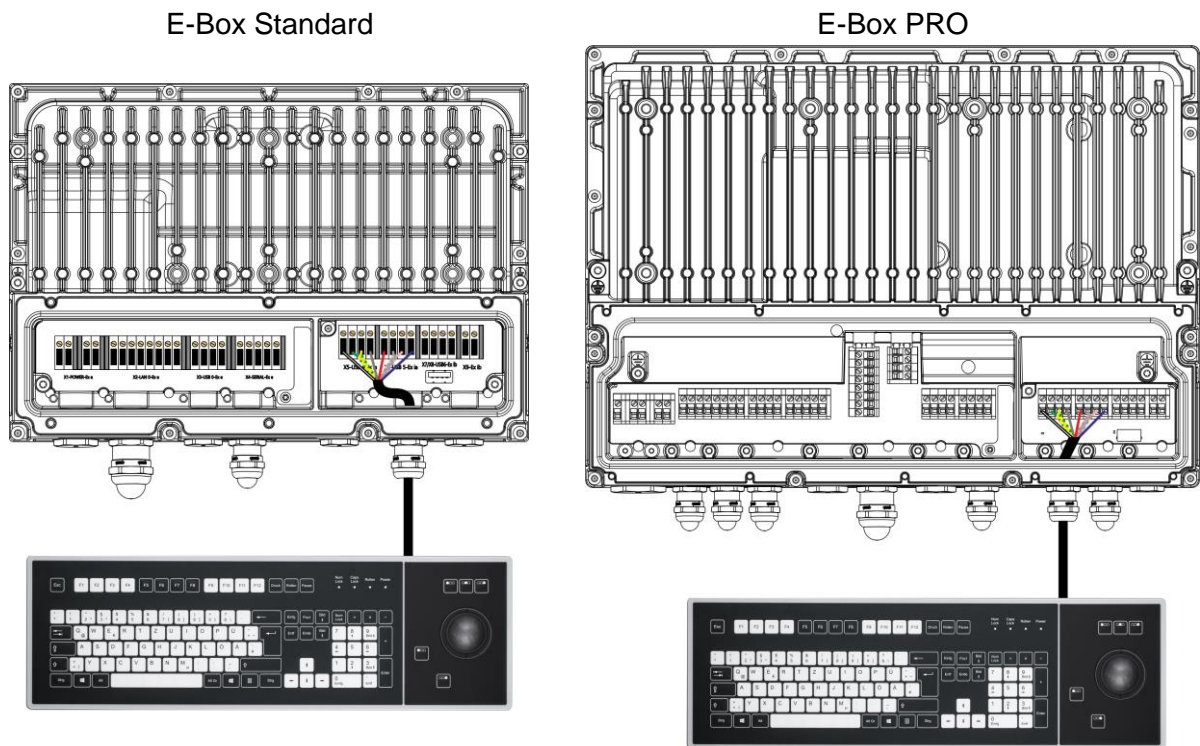
Ground connection

- Screw on distance bolt I/A (a) with tooth lock washer (b) (tightening torque 1 Nm)
- Attach ring cable lug (c) with combined screw and tooth lock washer (d)

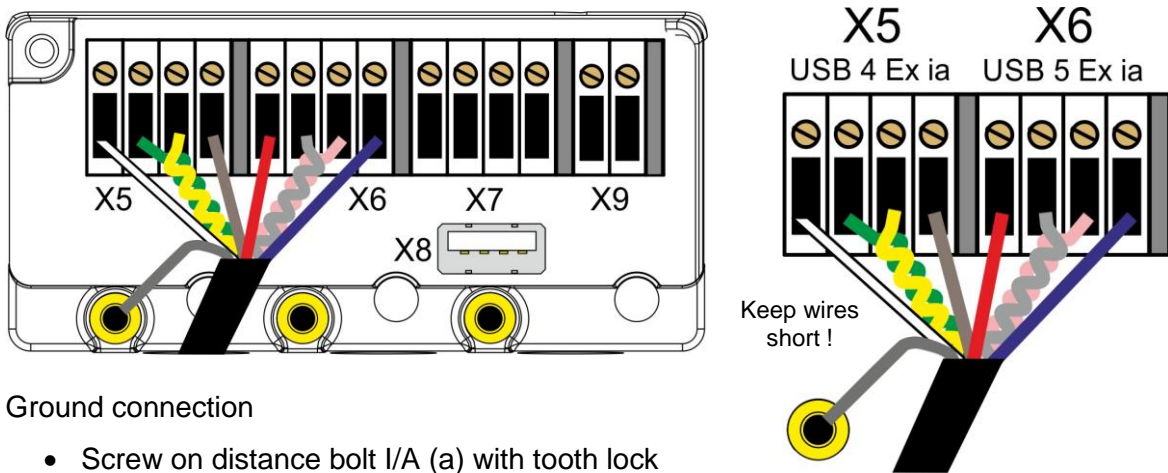


 Earthing material see [4.1.7 Scope of delivery](#)

19.1.3 KB2 at ORCA01\*

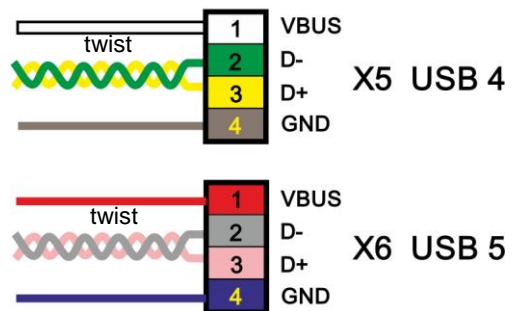
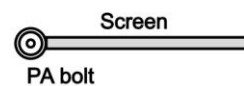
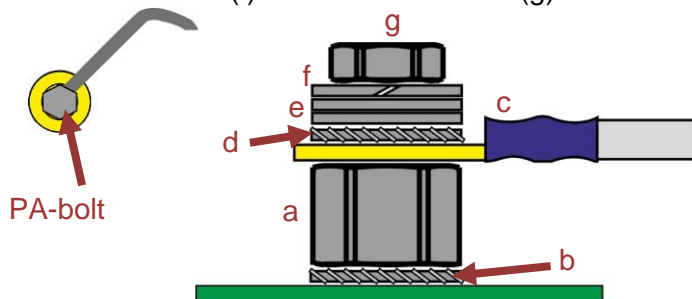


Detailed view terminal assignment (identical for E-Box Standard and PRO)



Ground connection

- Screw on distance bolt I/A (a) with tooth lock washer (b) (tightening torque 1 Nm)
- Fit distance bolt A-A M3 with ring cable lug (c), tooth lock washer (d), 2x washer (e), spring lock washer (f) and fasten with nut (g).



! Earthing material see [4.1.7 Scope of delivery](#)

## 19.2 Connection overview cable assignment PD2



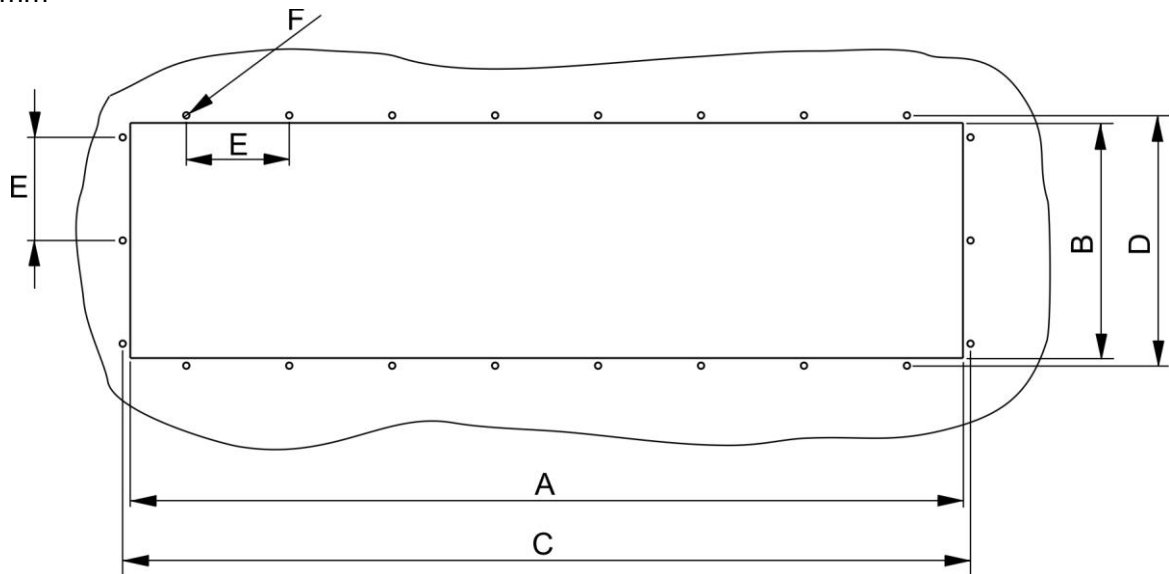
The length of the connection cable (see [Technical data](#)) must not be extended or replaced by the customer !.

Cable	Colour	Connection	Signal name	Name
1	White	PD2	+5 V	Power supply +UB
2	Green		USM_m	Data conductor D-
3	Yellow		USM_p	Data conductor D+
4	Brown		GND	Power supply GND
Screen	-		Screen	Connect shielding to ground (< 1 MΩ)

## 20 Appendix E

### 20.1 Cutout KB2

in mm



A	B	C	D	E	F	Material thickness
550 ±0.5	155 ±0.3	560 ±0.3	165 ±0.3	68 ±0.1	Ø 4.2 (22x)	1.5 up to 7



## 21 Attachment F

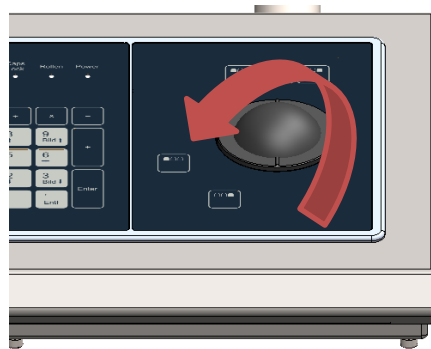
### 21.1 Trackball cleaning

Required materials:

- Suction cup (included in the delivery)
- a damp, lint-free cloth

Procedure:

- 1 - Switch off the device  
- Using your fingers, turn black ring to the left and remove it



- 2 - Using the included suction cup, carefully remove the trackball



#### NOTE

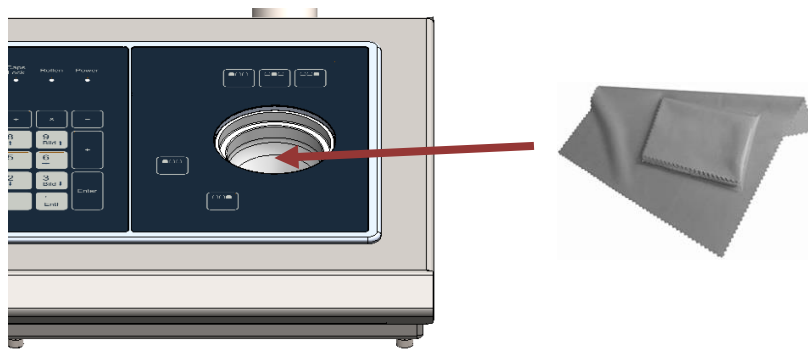
**Malfunction or damage to the device due to incorrect handling !**

A damaged surface may result in incorrect functionality !

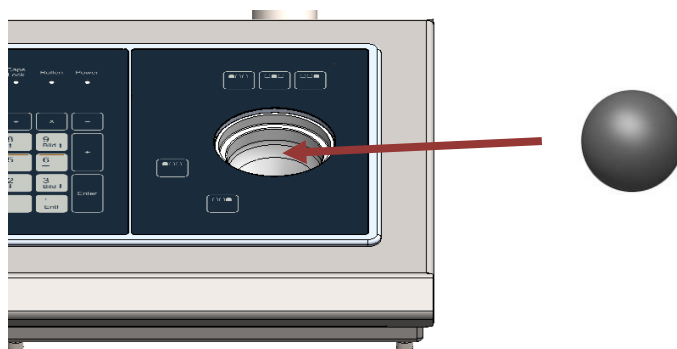
- Handle the trackball carefully
- Take care not to damage the surface



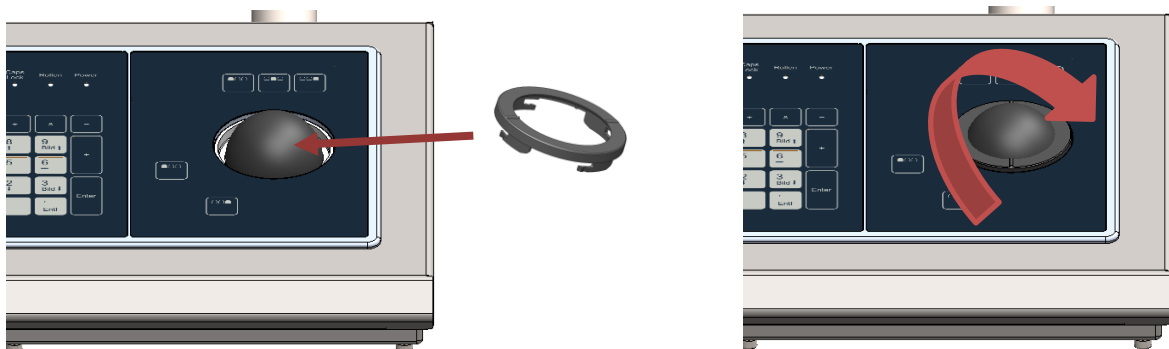
- 3 - Clean and dry the recess for the ball with a damp, lint-free cloth



- 4 - Slowly and carefully return the trackball to the recess



- 5 - Using your fingers, replace the ring disk and turn to right.



- 6 - Switch the device back on
- Check trackball function

## 22 Appendix G

### 22.1 Disposal / Restricted substances

Disposal of old electric and electronic devices, packaging and used parts is subject to regulations valid in whichever country the device has been installed.

For countries under the jurisdiction of the EU the corresponding WEEE directive applies.

The devices are classified according to the table below:

Directive	WEEE II Directive 2012/19/EU
Valid	from 2018-08-15
Category	SG4 large devices >50 cm

R. STAHL HMI Systems GmbH meets the requirements of directive 2012/19/EU (WEEE) and is registered under the number DE 15180083.

We shall take back our devices according to our General Terms and Conditions.

#### 22.1.1 Declaration of substances and restricted substances

The present declaration is based on the procedure described in the international standard and directives as listed in the table below:

- IEC 62474 : 2018 (DIN EN IEC 62474 : 2019-09)
- (EG) Nr. 1907/2006 (REACH)
- Directive 2011/65/EU (RoHS)
- Resolution MEPC.269(68) "International Maritime Organization" (IMO); particularly "2015 Guidelines for the Development of the Inventory of the Hazardous Materials" (IHM)

##### 22.1.1.1 Declarable substance groups

Component	Name	Mass (g)	Declarable Substance Groups and Substances (IEC 62474 database)	CAS No.	Mass %	Exemption (acc. to directive)
-	-	-	No SVHC present	-	-	-

##### 22.1.1.2 RoHS directive 2011/65/EC

The devices meet the requirements of RoHS Directive 2011/65/EU.

##### 22.1.1.3 IMO Resolution MEPC.269(68)

The devices meet the requirements of the MEPC.269(68) Resolution of the "International Maritime Organization" (IMO), in particular the "2015 Guidelines for the Development of the Inventory of the Hazardous Materials" (IHM).

## 23 Appendix H

### 23.1 Material resistance

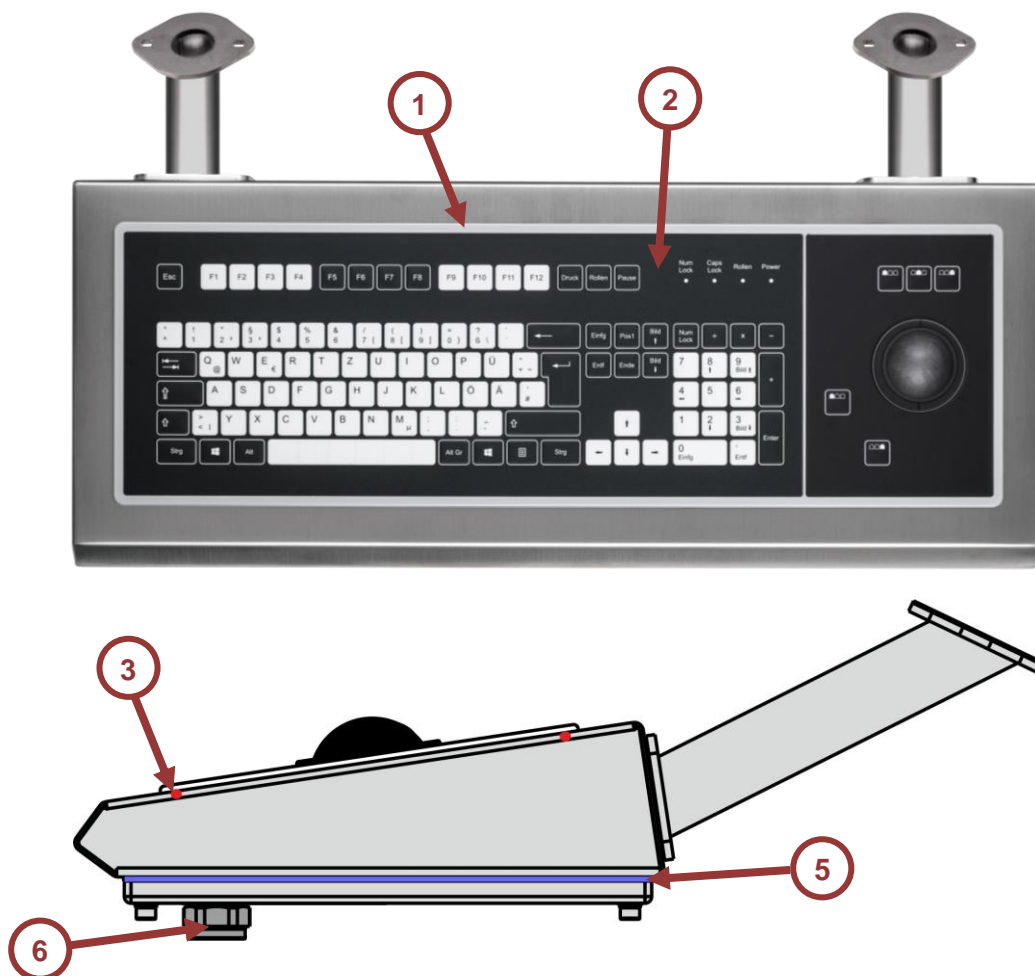
This section deals with the resistance to chemicals of keyboard components that are exposed to the outside environment.

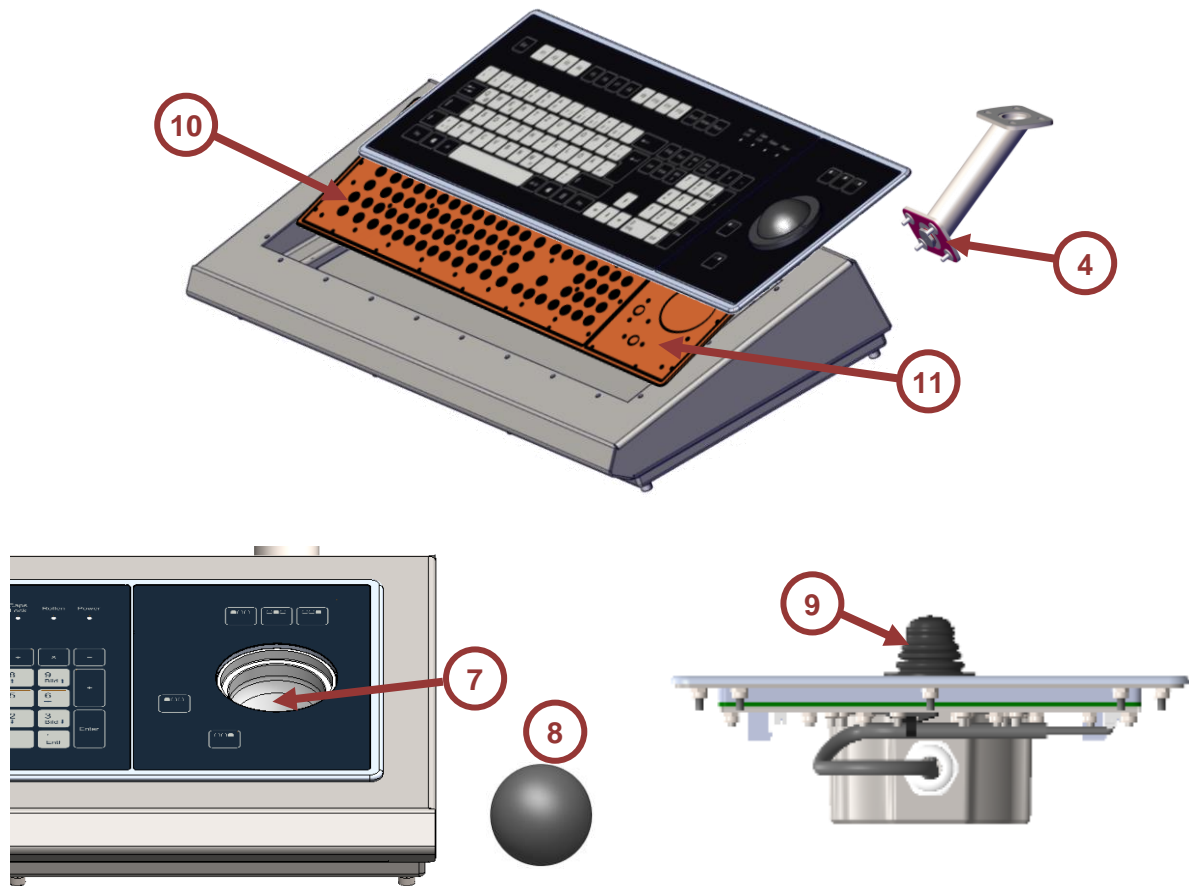
The selection of individual chemicals listed is by no means complete.

#### 23.1.1 Materials

Item	Colour in image	Designation	Position / additional designation	Materials
1	white	Front plate	Powder-coated aluminium	Tiger Drylac series 29
2	black	Front plate membrane	MacDermid Autotex XE	Polyester
3	red	Front plate seal	enclosure-side	Bisco HT-800
4	dark red	Enclosure seal	at the mounting arms	Bisco HT-800
5	blue	Enclosure seal	back cover side	Köpp methyl vinyl polysiloxane gum [VMQ]
6	dark grey	Breather	CMP 781e	Felt insert
7	light grey	Trackball recess	Ball recess featuring trackball optics	Polycarbonate (Lexan) LS2
8	dark grey	Trackball	Trackball itself	Epoxy Resin
9	black	Joystick	Rubber hood	
10	orange	Key pad	below front plate	Momentive Silopren LSR2650
11		PD2 seal		

Positions





23.1.1.1 Powder coating front plate

Chemical substances	Resistance					
	7 days	1 month	3 months	6 months	9 months	12 months
Ammonia solution 10%	moderate	moderate	-	-	-	-
Sodium hydroxide 10%	yes	yes	moderate	-	-	-
Soda 10%	yes	yes	yes	yes	yes	yes
Acetic acid 10%	yes	yes	moderate	-	-	-
Lactic acid 10%	yes	yes	yes	yes	yes	yes
Phosphoric acid 10%	yes	yes	yes	yes	yes	yes
Nitric acid 10%	yes	yes	moderate	moderate	-	-
Hydrochloric acid 10%	yes	yes	yes	moderate	moderate	moderate
Sulphuric acid 32%	yes	yes	moderate	moderate	moderate	-
Ethanol 96% (rectified spirit)	yes	yes	yes	yes	yes	yes
Isopropyl alcohol	yes	yes	yes	yes	yes	yes
Ethyl acetate	no	-	-	-	-	-
Toluene	no	-	-	-	-	-
Xylene	no	-	-	-	-	-
Diesel fuel	yes	yes	yes	yes	yes	yes
FAM test fluid	moderate	moderate	moderate	no	no	no
Petroleum	yes	yes	yes	yes	yes	yes
Seawater	yes	yes	yes	yes	yes	yes

**23.1.1.2 Front plate membrane**

The front plate membrane contains a UV-absorbent chemical substance which substantially increases the membrane's resistance to discolouration and premature brittleness with outdoor installation.

When in continuous contact with certain chemicals these may start to remove the UV absorber, reducing the membrane's UV resistance.

The front plate membrane resists exposure for 5 hours to the following chemicals without any visible change or loss of UV resistance. With longer exposure, both the membrane's appearance (colour) and its UV resistance may be affected.

Resistance for 5 hours				
Diesel fuel	Ammonia 2% *	Acetic acid 5%	Cutting oil	Hydraulic oil
Glycerin	Sodium hydroxide *	Hydrochloric acid 10%	Paraffin oil	Saltwater
White spirit *	Potash *	Nitric acid 10%	Pure turpentine	Water
SBP 60/95 *	Potassium ferricyanide	Phosphoric acid ≥30 %	Linseed oil	
Spirit	Sodium carbonate solution *	Sulphuric acid 10%	Castor oil	

\* Exposure to these chemicals lead to an extremely faint sheen of the texture.

Exposure to the following chemicals under the above conditions results in a faint sheen of the texture and a reduction in resistance to UV light of the product.

Chemical substances		
1.1.1. Trichloroethane	Ethyl acetate	Methanol
Acetaldehyde	Formaldehyde solution	Methylethyl ketone
Acetone	Formic acid 50%	Toluene *
Cyclohexanol	Glycol	Xylene
Cyclohexanone	Industrial methylated spirit	
Ether	Isopropanol	

\* Exposure to these chemicals resulted in a white spot on the membrane surface.

The front plate membrane withstands exposure for 5 hours at 50 °C to the following household chemicals:

Chemical substances		
Bleach / toilet cleaner	Cleaner for hard surfaces	Cleaning liquid
Cream cleaner	Washing powder solutions	Window cleaner
Fabric conditioner	Washing-up liquid	Tomato ketchup

The front plate membrane is NOT resistant to the following chemicals:

Chemical substances		
Benzyl alcohol	Concentrated mineral acids	High-pressure steam over 100 °C
Concentrated alkalis	Dichloromethane	

### 23.1.1.3 Front plate / enclosure seal HT-800

Generally, the seals show excellent or very good resistance to diluted acids or alkalis, organic liquids and crude oil products.

Chemical substances	Tensile strength (% change)		Dimensional stability (% change)		Compression set (% actual)
	wet	dry	wet	dry	dry
Sulphuric acid 10%	0 - 20	0 - 20	0 - 20	0 - 20	0 - 5
Hydrochloric acid 10%	0 - 20	0 - 20	0 - 20	0 - 20	0 - 5
Acetic acid 10%	40 - 60	0 - 20	0 - 20	0 - 20	0 - 5
Sodium bicarbonate 10%	0 - 20	0 - 20	0 - 20	0 - 20	0 - 5
Ammonia solution 10%	0 - 20	0 - 20	0 - 20	0 - 20	0 - 5
Potassium hydroxide 10%	0 - 20	0 - 20	0 - 20	0 - 20	0 - 5
Isopropyl alcohol	20 - 40	0 - 20	0 - 20	0 - 20	0 - 5
Methanol	0 - 20	0 - 20	0 - 20	0 - 20	0 - 5
Petrol	60 - 80	0 - 20	20 - 40	0 - 20	0 - 5
Mr. Clean®	0 - 20	0 - 20	0 - 20	0 - 20	0 - 5
Fantastik®	0 - 20	0 - 20	0 - 20	0 - 20	0 - 5
Formula 409	0 - 20	0 - 20	0 - 20	0 - 20	0 - 5
Distilled water	0 - 20	0 - 20	0 - 20	0 - 20	0 - 5

### 23.1.1.4 Enclosure seal VQM

The enclosure seal has a very high thermic resistance, good cold flexibility, good dielectric properties and a very good resistance to oxygen and ozone.

Medium swelling resistance	<ul style="list-style-type: none"> <li>- with mineral oils (comparable to materials on CR basis)</li> <li>- can be operated in water up to +100 °C</li> <li>- sufficiently resistant in watery saline solutions</li> <li>- sufficiently resistant in monovalent and polyvalent alcohols</li> </ul>	
High degree of swelling in	<ul style="list-style-type: none"> <li>- low-molecular-weight esters and ethers</li> <li>- aliphatic and aromatic hydrocarbons</li> <li>- concentrated acids and alkalis</li> <li>- Water and steam at temperatures over +100 °C have a highly destructive effect</li> </ul>	
Hardness	10 - 20 Shore A	
Compression set	22 h; 70 °C 50% deformation 22 h; 24 °C 50% deformation	5 – 10% 4 – 6%
Compressive strength	0.30 - 0.60 N/mm <sup>2</sup>	
Tensile strength	0.8 - 1.2 N/mm <sup>2</sup>	
Strain	200 - 400%	
Resilience	33%	

### 23.1.1.5 Breather

No information available

## 23.1.1.6 Joystick

Chemical resistance to		
Engine oil	Starbite soap and cleaner	Ammonia solution (over 5 volume percent solution)
Diesel fuel	WD-40	Alcohol
Antifreeze	Kerosene	Beer (over 5 volume percent alcohol)
Petrol	Acetone	Suntan lotion
Automatic transmission fluid	Armor All™ cleaner	Insect repellent

## 23.1.1.7 Trackball recess

The chemical strength of thermoplastics depends on the duration of exposure, temperature and wear (external conditions to which part is subjected) Chemical exposure of a thermoplastic substance can result in discoloration, softening, swelling, cracking or loss of its properties. The chemicals listed below underwent a very strict test procedure to evaluate their effect on the material. This test entailed exposure to the chemical in question under defined conditions, including temperature (20 °C and 80 °C) and load (0.5% and 1%) over a period of seven days.

Very good resistance (unaffected in its performance when exposed for defined duration, under defined temperature and load)		
Boric acid	Polyethylene glycol	Potassium bromide
Hydrogen chloride 20%	Oxygen	Potassium carbonate
Hydrogen fluoride 20%	Propylene	Potassium chlorate
Phosphorous pentoxide dry	Dichlorohydroxybenzene	Potassium chloride 15%
Phosphoric acid 1%	Aluminium oxide	Potassium cyanide powder
Phosphorous pentachloride	Copper oxide	Potassium dichromate
Sulphuric acid 50%	Phenoxyacetic acid	Potassium iodide
Gallic acid	Aluminium fluoride	Potassium nitrate
Maleic acid	Aluminium sodium sulphate	Potassium persulphate
Myristic acid 20%	Ammonium bicarbonate	Potassium sulphate
Oleic acid	Ammonium bromide	Silver nitrate
Palmitic acid	Ammonium dichromate	Sodium bisulphate
Phenoxyacetic acid	Ammonium persulphate	Sodium bromate
Phthalic anhydride	Barium carbonate	Sodium bromide
Salicylate acid	Barium chloride	Sodium carbonate
Tannic acid	Barium sulphate	Sodium chlorate
Thiodiacetic acid	Calcium chloride	Sodium cyanide
Ethyl glycol 60%	Calcium sulphate	Sodium fluoride
Glycerin	Cesium bromide	Sodium hypochlorite 6%
Octyl alcohol	Copper (II) chloride 5%	Sodium perborate
Oxydiethanol 2.2	Iron (III) ammonium sulphate	Sodium phosphate
Polyethylene glycol	Iron (III) chloride saturated	Sodium silicate
Sorbitol	Iron (III) sulphate	Sodium sulphite
Triethylene glycol	Lithium bromide	Strontium bromide



Formaldehyde solvent 37%	Lithium hydroxine powder	Tin (II) chloride
Formalin	Magnesium bromide	Tin (IV) chloride
Thriethanolamine	Magnesium chloride	Titanium tetrachloride
Hydroxylamine	Magnesium nitrate	Zinc bromide
Aluminium hydroxine powder	Magnesium sulphate	Zinc carbonate
Sodium hydroxine dry	Mercury (I) nitrate	Zinc sulphate
Sodium thotalamate	Mono ammonium phosphate	Aluminium acetate
Dosononyl phthalate	Nickel nitrate	Ammonium oxalate
Ethyl bromoacetate	Potassium bicarbonate dry	Aniline sulphate
Methyl acetate	Potassium bisulphate	Valine bromide dl
2 dodecyl phenyl carbonate	Potassium bromate	

<b>Medium resistance</b> <b>(considered to be marginal, only for short exposure at low temperatures or if loss of properties is not critical)</b>		
Sulphamine acid 5%	Isobutanol	Sodium bicarbonate saturated
Sodium etherlaurylsuphate		

<b>No resistance</b> <b>(not recommended, results in failure or significant deterioration)</b>		
Hydrogen chloride 25%	Benzyl benzoate	Chlorobenzene
Nitric acid 70%	Butyl cellosolvate acetate	Chlorobutane
Perchlorid acid	Butyl stearate	Chloroform
Phosphoric acid 10%	Cello acetobutyrate	Dibromomethane
Sulphuric acid 70%	Cellulose acetate	Dichloroethane
Sulphurous acid 5%	Cellulose proprionate	Dichloromethane
Acetic anyhydride	Dibutyl phthalate	Methyl ethyl ketone
Formic acid concentrate	Didecyl carbonate	Arsenic trioxide
Mercapto acetic acid	Disodecyl phthalate	Calcium oxide paste
Myristic acid 25%	Diocetyl phthalate	Mercury metallic
Phenol sulphonic acid	Diocetyl sebacate	Allyl 4 methoxyphenol
Tannic acid 20%	Ditridecyl carbonate	Cresol
Trichlor acetic acid	Ditridecyl phthalate	P-Phenylphenol
Allyl alcohol	Ethyl butyrate	Pentachlorophenol
Amyl alcohol	Ethyl cellusolve 5%	Phenol sulphonic acid
Butoxyethanol	Ethyl chloracetate	Phenol 5%
Chlorethanol 2	Ethyl cyanoacetate	Aluminium ammonium sulphate
Decyl alcohol	Ethyl lactate	Aluminium chloride
Ethanol	Ethyl salicylate	Aluminium potassium sulphate
Ethyl glycol 100%	Isopropyl myristate	Ammonium carbonate
Furfuryl alcohol	Methyl calicylate	Calcium carbonate paste
Hepthyl alcohol	Methylbenzoate	Iron (II) chloride
Nonyl alcohol	Triacetine	Iron (III) nitrate
Penethyl alcohol	Tributoexethyl phosphate	Mercury (II) chloride
Polyalkylene glycol	Tributyl cello phosphate	Potassium chloride saturated

Propylene glycol	Ether	Potassium chromium sulphate
Thiodiglycol 5%	Methyl cellosolve	Potassium permanganate
Tripropylene glycol	Polyalkylene glycol	Silver chloride saturated
Acetaldehyde	Polyethylene sulphide	Sodium bicarbonate 13%
Butyraldehyde	Propylene oxide	Sodium carbonate solvent
Propionaldehyde	Bromine	Sodium hypochlorite 15%
Dimethylformamide	Chloracetophenone	Sodium nitrate 10%
Aniline	Chlorine	Sodium sulphide
Diphenylamine	Iodine	Trisodiumphosphate 5%
Methylaniline N	Isobutane	Zinc chloride
Methylene dianiline	Methane	Zinc oxide
Phenylhydrazine	Ozone 2%	Ammonium acetate
Pyridine	Sulphur dioxide	Potassium acetate 30%
Ammonium concentrate	Sulphur hexafluoride	Quinine sulphate
Ammonium hydroxide 0.13%	Acetylene dibromo	Sodium acetate 30%
Calcium hydroxide	Acetylene tetrachloride	
Potassium hydroxide 10%	Bromochloromethane	
Sodium hydroxide 10%	Carbon tetrachloride	

## 23.1.1.8 Trackball (itself)

The trackball was subjected to the following chemical tests:

Fluid group	Fluid type		Test fluid	Test fluid temperature (+/- 2 °C)
Fuels and Solvents	Fuels	Kerosene	ISO 1817, Test liquid F	70
		Petrol	ISO 1817, Test liquid B	40
		Ester based	ISO 1817, Test liquid 101	150
	Solvents and cleaning fluids	Propan-2-ol (isopropyl alcohol)		50
		Solvent – DTD 929		23
		Denatured alcohol		23
		Detergent Cleaning compound for aircraft surfaces		23
Oils	Hydraulic oils	Mineral oil based	NATO H-520/NATO H-515	70
	Lubricating oils	Mineral based	NATO O-1176(OMD 80)	70
De-Icers	De-icing & antifreeze fluids		Inhibited ethylene glycol (BS6580) 80% and 50% solution in water (v/v)	23
	Runway de-icers	25% urea / 25% ethylene glycol in water (v/v)		23
		50% inhibited potassium acetate in water		23
Corrosion preventatives and beverages	Corrosion preventative fluid		Def Stan 68-10, NATO C-634	23
	Beverages	Tea		23
		Coffee		23
		Fruit Juices		16
		Minerals		16
Extinguishers and NBC	Fire extinguishants		Protein: NATO Stock #4210 99 224 6855	23
			Fluoroprotein: NATO Stock #4210 99 224 6854	23
	NBC decontamination agents	Chemical Agent Decontaminant (CAD) - an aqueous solution of hydroxide and sodium dichloroisocyanurate buffered at pH 10.5 with boric acid (exposure duration 5 minutes)		16
		Super Tropical Bleach (STB) or High-Test Hypochlorite (HTH) - chlorinated lime containing 30% or 37% free chlorine by weight (exposure duration 5 minutes)		16
		Fullers earth powder (exposure duration 5 minutes)		16

## 23.1.1.9 Key pad / PD2 seal



The key pad / PD2 seal has only a limited contact to the outside. The keyboard membrane contains small airing channels through which substances may penetrate under a large pressure difference or with a hard water jet.

The LSR materials are resistant to diluted acids and alkalis. This resistance weakens under increased concentration or temperature. Boiling water has no significant effect on the LSR materials.

The LSR materials begin to slowly disintegrate under water vapour of a temperature of 100 °C and above.

The swelling degree of the LSR materials under exposure to chemicals refers to a Shore A hardness of about 50.

Swelling degree of LSR under exposure to chemicals (testing period 8 days)			
Chemical substance	Test temperature in °C	Change to Shore hardness	Swelling in volume %
Acetone	20	-8	33
Ammonia, diluted 25%	20	3	4
Baysilone® oil M10 (100 cSt at 25 °C)	150	-10	72
n-Butanol	20	-8	19
Chloroform	20	-12	218
Cyclohexane	20	-10	10
Glacial acetic acid	20	-2	128
Ethanol	20	-5	10
Ethyl acetate	20	-11	113
Glycol	20	0	0
Methanol	20	-3	8
Methyl ethyl ketone	20	-10	80
Dichloromethane	20	-10	103
Mineral oil ASTM No. 2	150, 72 h	-4	9
Mineral oil ASTM No. 3	150, 72 h	-12	42
Sodium hydroxide 20%	20	0	0
Olive oil	100	0	0
Petroleum ether	20	-10	237
Phosphoric acid 50%	20	0	0
Nitric acid 10%	20	0	0
Hydrochloric acid 20%	20	0	0
Sulphuric acid 20%	20	0	1
Carbon tetrachloride	20	-40	192
Trichloroethylene	20	-13	150
Vaseline	100	-8	14
Xylene	20	-20	127

## 24 Appendix I

### 24.1 Declarations of conformity

#### 24.1.1 EU

##### 24.1.1.1 KB2 / PD2 -Z1

### EU Konformitätserklärung EU Declaration of Conformity Déclaration de Conformité UE



**R. STAHL HMI Systems GmbH • Adolf-Grimme-Allee 8 • 50829 Köln, Germany**

erklärt in alleiniger Verantwortung, declares in ist sole responsibility, déclare sous sa seule responsabilité,

dass das Produkt:

Keyboard with pointing device / Pointing device

that the product:

Keyboard mit pointing device / Pointing device

que le produit:

Clavier avec dispositif de pointage / Dispositif de pointage

Typ(en), type(s), type(s):

KB2-Z1-CCC-DD-EE-F\* / PD2-Z1-CCC-DD-EE-F\*

mit den Anforderungen der folgenden Richtlinien und Normen übereinstimmt.

is in conformity with the requirements of the following directives and standards.

est conforme aux exigences des directives et des normes suivantes.

Richtlinie(n) / Directive(s) / Directive(s)	Norm(en) / Standard(s) / Norme(s)
2014/34/EU ATEX-Richtlinie 2014/34/EU ATEX Directive 2014/34/UE Directive ATEX Official Journal of the EU L96, 29/03/2014, p. 309–356	EN IEC 60079-0:2018 EN 60079-11:2012
Kennzeichnung, Marking, Marquage:	II 2G Ex ia IIC T4 Gb II 2D Ex ia IIC T <sub>200</sub> 135°C Db (when connected to an ia-circuits)
	II 2G Ex ib IIC T4 Gb II 2D Ex ib IIC T <sub>200</sub> 135°C Db (when connected to an ib-circuits)
	II 3G Ex ic IIC T4 Gc II 3D Ex ic IIC T <sub>200</sub> 135°C Dc (when connected to an ic-circuits)
EU Baumusterprüfbescheinigung: EU Type Examination Certificate: Attestation d'examen UE de type:	BVS 20 ATEX E 078 X (DEKRA EXAM GmbH Dinnendahlstraße 9, 44809 Bochum, Germany, NB0158)
2014/30/EU EMV-Richtlinie 2014/30/EU EMC Directive 2014/30/UE Directive CEM Official Journal of the EU L96, 29/03/2014, p. 79–106	DIN EN 61326-1:2013-07 DIN EN IEC 61000-6-2:2019-11; EN 61000-6-2/AC:2005-09 EN 61000-6-4/A1:2011-02; EN IEC 61000-6-4:2019-09
2011/65/EU RoHS-Richtlinie 2011/65/EU RoHS Directive 2011/65/UE Directive RoHS Official Journal of the EU L174, 1/07/2011, p. 88–110	EN IEC 63000:2018

Für spezifische Merkmale und Bedingungen siehe Betriebsanleitung.

For specific characteristics and conditions see operating instructions.

Pour les caractéristiques et conditions spécifiques, voir le mode d'emploi.

Unterzeichnet für und im Namen von: / signed for and on behalf of: / signé pour et au nom de:

R. STAHL HMI Systems GmbH

Köln, 2023-05-02

i.V.

Alexander Jung  
Director R&D

i.V.

Nabil Benighil  
Head of Certification

Ort und Datum  
Place and date  
Lieu et date

24.1.1.2 KB2 / PD2 –Z2

**EU Konformitätserklärung**  
 EU Declaration of Conformity  
 Déclaration de Conformité UE



**R. STAHL HMI Systems GmbH • Adolf-Grimme-Allee 8 • 50829 Köln, Germany**  
 erklärt in alleiniger Verantwortung, declares in ist sole responsibility, déclare sous sa seule responsabilité,

dass das Produkt: **Keyboard mit pointing device / Pointing device**  
 that the product: **Keyboard with pointing device / Pointing device**  
 que le produit: **Clavier avec dispositif de pointage / Dispositif de pointage**

Typ(en), type(s), type(s): **KB2-Z2-CCC-DD-EE-F\* / PD2-Z2-CCC-DD-EE-F\***

mit den Anforderungen der folgenden Richtlinien und Normen übereinstimmt.  
 is in conformity with the requirements of the following directives and standards.  
 est conforme aux exigences des directives et des normes suivantes.

Richtlinie(n) / Directive(s) / Directive(s)	Norm(en) / Standard(s) / Norme(s)
2014/34/EU <b>ATEX-Richtlinie</b> 2014/34/EU <b>ATEX Directive</b> 2014/34/UE <b>Directive ATEX</b> Official Journal of the EU L96, 29/03/2014, p. 309–356	EN IEC 60079-0:2018 EN 60079-11:2012

Kennzeichnung,  
 Marking,  
 Marquage:

II 3G Ex ic IIC T4 Gc  
 II 3D Ex ic IIIC T<sub>200</sub> T135°C Dc



EU Baumusterprüfbescheinigung:  
 EU Type Examination Certificate:  
 Attestation d'examen UE de type:

**BVS 20 ATEX E 079 X**  
 (DEKRA EXAM GmbH  
 Dinnendahlstraße 9, 44809 Bochum, Germany, NB0158)

2014/30/EU <b>EMV-Richtlinie</b> 2014/30/EU <b>EMC Directive</b> 2014/30/UE <b>Directive CEM</b> Official Journal of the EU L96, 29/03/2014, p. 79–106	DIN EN 61326-1:2013-07 DIN EN IEC 61000-6-2:2019-11; EN 61000-6-2/AC:2005-09 EN 61000-6-4/A1:2011-02; EN IEC 61000-6-4:2019-09
2011/65/EU <b>RoHS-Richtlinie</b> 2011/65/EU <b>RoHS Directive</b> 2011/65/UE <b>Directive RoHS</b> Official Journal of the EU L174, 1/07/2011, p. 88–110	EN IEC 63000:2018

Für spezifische Merkmale und Bedingungen siehe Betriebsanleitung.  
 For specific characteristics and conditions see operating instructions.  
 Pour les caractéristiques et conditions spécifiques, voir le mode d'emploi.

Unterzeichnet für und im Namen von: / signed for and on behalf of: / signé pour et au nom de:  
**R. STAHL HMI Systems GmbH**

Köln, 2023-05-02

i.V.

**Alexander Jung**  
 Director R&D

i.V.

**Nabil Benighil**  
 Head of Certification

Ort und Datum  
 Place and date  
 Lieu et date

## 24.1.1.3 KB2 / PD2 -Z1 –HSG

**EU Konformitätserklärung**  
*EU Declaration of Conformity*  
*Déclaration de Conformité UE*



**R. STAHL HMI Systems GmbH • Adolf-Grimme-Allee 8 • 50829 Köln, Germany**  
 erklärt in alleiniger Verantwortung, declares in ist sole responsibility, déclare sous sa seule responsabilité,

dass das Produkt: **Keyboard mit pointing device und Gehäuse**  
 that the product: *Keyboard with pointing device and enclosure*  
 que le produit: *Clavier avec dispositif de pointage dans un coffret*

**Type(n), type(s), type(s):** **KB2-Z1-CCC-DD-EE-F-GG-HSG H II J KKK L MM \***  
**PD2-Z1-CCC-DD-EE-F-GG-HSG H II J KKK L MM \***

mit den Anforderungen der folgenden Richtlinien und Normen übereinstimmt.  
 is in conformity with the requirements of the following directives and standards.  
 est conforme aux exigences des directives et des normes suivantes.

Richtlinie(n) / Directive(s) / Directive(s)	Norm(en) / Standard(s) / Norme(s)
<b>2014/34/EU ATEX-Richtlinie</b> 2014/34/EU <i>ATEX Directive</i> 2014/34/UE <i>Directive ATEX</i> <i>Official Journal of the EU L96, 29/03/2014, p. 309–356</i>	EN IEC 60079-0:2018 EN 60079-5:2015 EN IEC 60079-7:2015 + A1 :2018 EN 60079-11:2012 EN 60079-31:2014
<b>Kennzeichnung,</b> <i>Marking,</i> <i>Marquage:</i>	<u>Type KB2-Z1-...-HSG...00...</u> <u>Type PD2-Z1-...-HSG...00...</u> II 2G Ex ia IIC T4 Gb II 2D Ex ia IIIC T <sub>200</sub> 135°C Db (when connected to an ia-circuits) II 2G Ex ib IIC T4 Gb II 2D Ex ib IIIC T <sub>200</sub> 135°C Db (when connected to an ib-circuits)
	<u>Type KB2-Z1-...-HSG...U3...</u> <u>Type PD2-Z1-...-HSG...U3...</u> II 2G Ex eb ia q IIC T4 Gb II 2D Ex ia tb IIIC T135°C Db (when connected to an ia-circuits) II 2G Ex eb ib q IIC T4 Gb II 2D Ex ib tb IIIC T135°C Db (when connected to an ib-circuits)
<b>EU Baumusterprüfbescheinigung:</b> <i>EU Type Examination Certificate:</i> <i>Attestation d'examen UE de type:</i>	<b>BVS 20 ATEX E 106 X</b> (DEKRA EXAM GmbH Dinnendahlstraße 9, 44809 Bochum, Germany, NB0158)
<b>2014/35/EU Niederspannungsrichtlinie:</b> 2014/35/EU <i>Low Voltage Directive:</i> 2014/35/UE <i>Directive Basse Tension:</i> <i>Official Journal of the EU L96, 29/03/2014, p. 357–374</i>	<b>For type with MM=U3 only:</b> EN 62368-1:2014/AC:2015/A11:2017
<b>2014/30/EU EMV-Richtlinie</b> 2014/30/EU <i>EMC Directive</i> 2014/30/UE <i>Directive CEM</i> <i>Official Journal of the EU L96, 29/03/2014, p. 79–106</i>	DIN EN IEC 61000-6-2:2019-11; EN 61000-6-2/AC:2005-09 EN 61000-6-4/A1:2011-02; EN IEC 61000-6-4:2019-09
<b>2014/53/EU Funkanlagen-Richtlinie</b> 2014/53/EU <i>Radio Equipment Directive</i> 2014/53/UE <i>Directive Équipement Radioélectrique</i> <i>Official Journal of the EU L153, 22/05/2014, p. 62–106</i>	<b>For type with MM=U3 only:</b> ETSI EN 300 330 V2.1.1 ETSI EN 301 489-1 V2.2.3 ETSI EN 301 489-3 V2.1.1

CE 0158

**EU Konformitätserklärung**  
*EU Declaration of Conformity*  
*Déclaration de Conformité UE*



2011/65/EU	RoHS-Richtlinie	EN IEC 63000:2018
2011/65/EU	RoHS Directive	
2011/65/UE	Directive RoHS	
Official Journal of the EU L174, 1/07/2011, p. 88–110		

Für spezifische Merkmale und Bedingungen siehe Betriebsanleitung.  
 For specific characteristics and conditions see operating instructions.  
 Pour les caractéristiques et conditions spécifiques, voir le mode d'emploi.

Unterzeichnet für und im Namen von: / signed for and on behalf of: / signé pour et au nom de:  
 R. STAHL HMI Systems GmbH

Köln, 2023-05-02

i.V.

Alexander Jung  
 Director R&D

i.V.

Nabil Benighil  
 Head of Certification

Ort und Datum  
 Place and date  
 Lieu et date



## 24.1.1.4 KB2 / PD2 –Z2 -HSG

## EU Konformitätserklärung

EU Declaration of Conformity  
Déclaration de Conformité UE



**R. STAHL HMI Systems GmbH • Adolf-Grimme-Allee 8 • 50829 Köln, Germany**  
erklärt in alleiniger Verantwortung, declares in ist sole responsibility, déclare sous sa seule responsabilité,

dass das Produkt: **Keyboard mit pointing device und Gehäuse**  
that the product: *Keyboard with pointing device and enclosure*  
que le produit: *Clavier avec dispositif de pointage dans un coffret*

Typ(en), type(s), type(s): **KB2-Z2-CCC-DD-EE-F-GG-HSG H II J KKK L MM \*  
PD2-Z2-CCC-DD-EE-F-GG-HSG H II J KKK L MM \***

mit den Anforderungen der folgenden Richtlinien und Normen übereinstimmt.  
is in conformity with the requirements of the following directives and standards.  
est conforme aux exigences des directives et des normes suivantes.

Richtlinie(n) / Directive(s) / Directive(s)	Norm(en) / Standard(s) / Norme(s)
<b>2014/34/EU ATEX-Richtlinie</b> 2014/34/EU <i>ATEX Directive</i> 2014/34/UE <i>Directive ATEX</i> <i>Official Journal of the EU L96, 29/03/2014, p. 309–356</i>	EN IEC 60079-0:2018 EN 60079-5:2015 EN IEC 60079-7:2015 + A1 :2018 EN 60079-11:2012 EN 60079-31:2014
<b>Kennzeichnung, Marking, Marquage:</b>	<u>Type KB2-Z2-...-HSG...00...</u> <u>Type PD2-Z2-...-HSG...00...</u>  II 3G Ex ic IIC T4 Gc II 3D Ex ic IIIC T <sub>200</sub> 135°C Dc <u>Type KB2-Z2-...-HSG...U3...</u> <u>Type PD2-Z2-...-HSG...U3...</u>  II 3G Ex ec ic nC IIC T4 Gc II 3D Ex ic tc IIIC T135°C Dc
<b>EU Baumusterprüfbescheinigung:</b> <i>EU Type Examination Certificate:</i> <i>Attestation d'examen UE de type:</i>	<b>BVS 20 ATEX E 107 X</b> (DEKRA EXAM GmbH Dinnendahlstraße 9, 44809 Bochum, Germany, NB0158)
<b>2014/35/EU Niederspannungsrichtlinie:</b> 2014/35/EU <i>Low Voltage Directive:</i> 2014/35/UE <i>Directive Basse Tension:</i> <i>Official Journal of the EU L96, 29/03/2014, p. 357–374</i>	<b>For type with MM=U3 only:</b> EN 62368-1:2014/AC:2015/A11:2017
<b>2014/30/EU EMV-Richtlinie</b> 2014/30/EU <i>EMC Directive</i> 2014/30/UE <i>Directive CEM</i> <i>Official Journal of the EU L96, 29/03/2014, p. 79–106</i>	DIN EN IEC 61000-6-2:2019-11; EN 61000-6-2/AC:2005-09 EN 61000-6-4/A1:2011-02; EN IEC 61000-6-4:2019-09
<b>2014/53/EU Funkanlagen-Richtlinie</b> 2014/53/EU <i>Radio Equipment Directive</i> 2014/53/UE <i>Directive Equipement Radioélectrique</i> <i>Official Journal of the EU L153, 22/05/2014, p. 62–106</i>	<b>For type with MM=U3 only:</b> ETSI EN 300 330 V2.1.1 ETSI EN 301 489-1 V2.2.3 ETSI EN 301 489-3 V2.1.1
<b>2011/65/EU RoHS-Richtlinie</b> 2011/65/EU <i>RoHS Directive</i> 2011/65/UE <i>Directive RoHS</i> <i>Official Journal of the EU L174, 1/07/2011, p. 88–110</i>	EN IEC 63000:2018

CE

**EU Konformitätserklärung**  
*EU Declaration of Conformity*  
*Déclaration de Conformité UE*



Für spezifische Merkmale und Bedingungen siehe Betriebsanleitung.  
*For specific characteristics and conditions see operating instructions.*  
*Pour les caractéristiques et conditions spécifiques, voir le mode d'emploi.*

Unterzeichnet für und im Namen von: / signed for and on behalf of: / signé pour et au nom de:  
**R. STAHL HMI Systems GmbH**

Köln, 2023-05-02

Ort und Datum  
*Place and date*  
*Lieu et date*

i.V.

Alexander Jung  
Director R&D

i.V.

Nabil Benighil  
Head of Certification

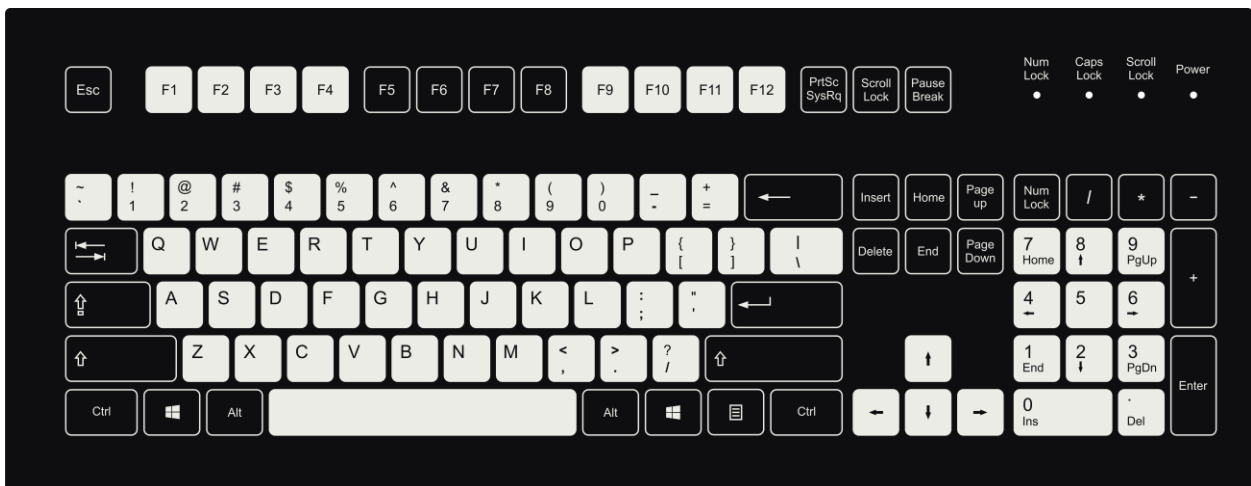
## 25 Appendix J

### 25.1 Keyboard layouts

#### 25.1.1 German - DE



#### 25.1.2 American - US



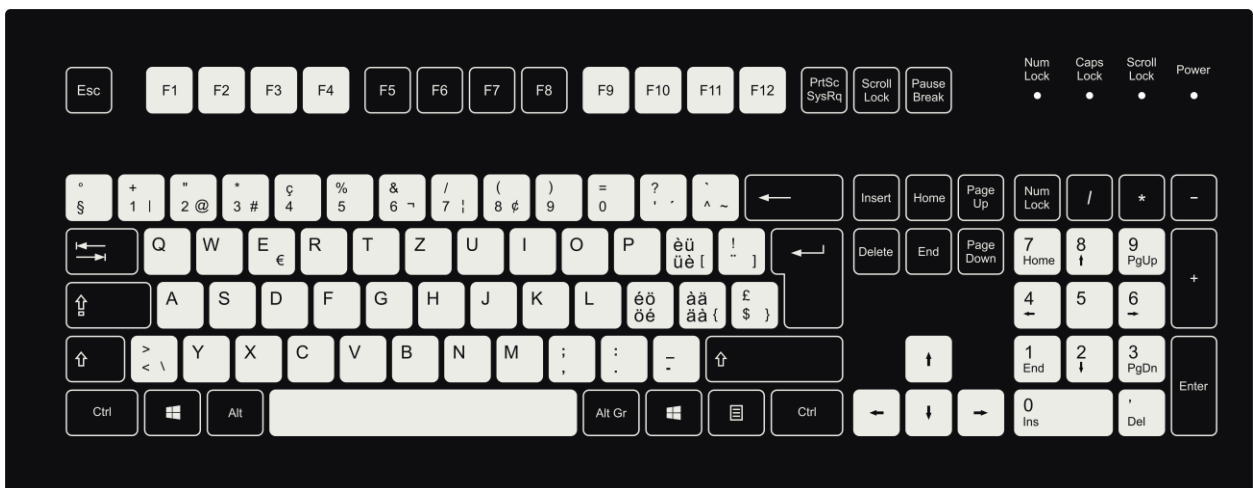
#### 25.1.3 French - FR



25.1.4 Spanish - ES



25.1.5 Swiss German - DE-CH

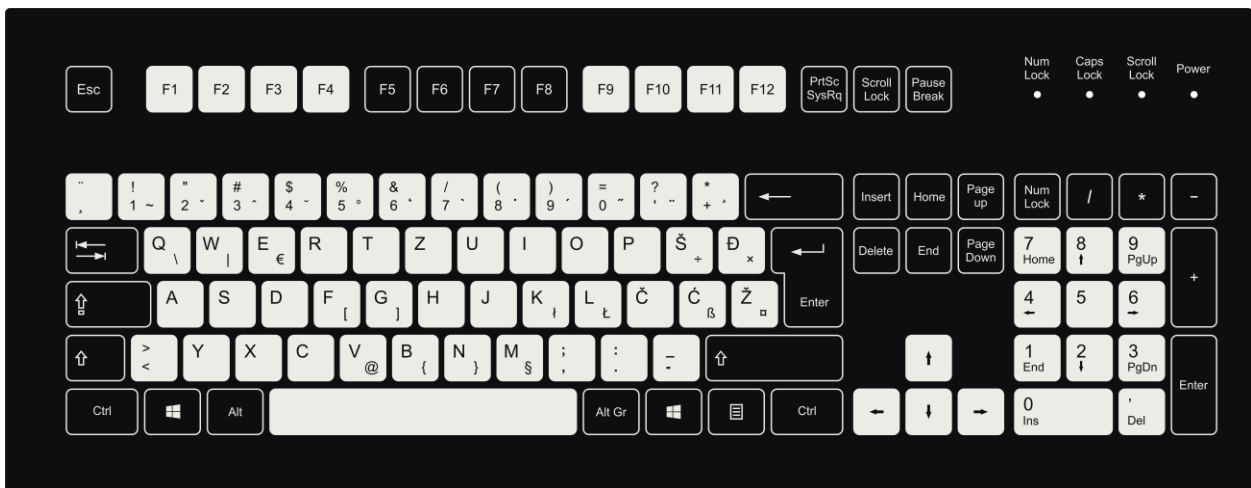


25.1.6 Nordic

Swedish, Finnish, Norwegian, Danish

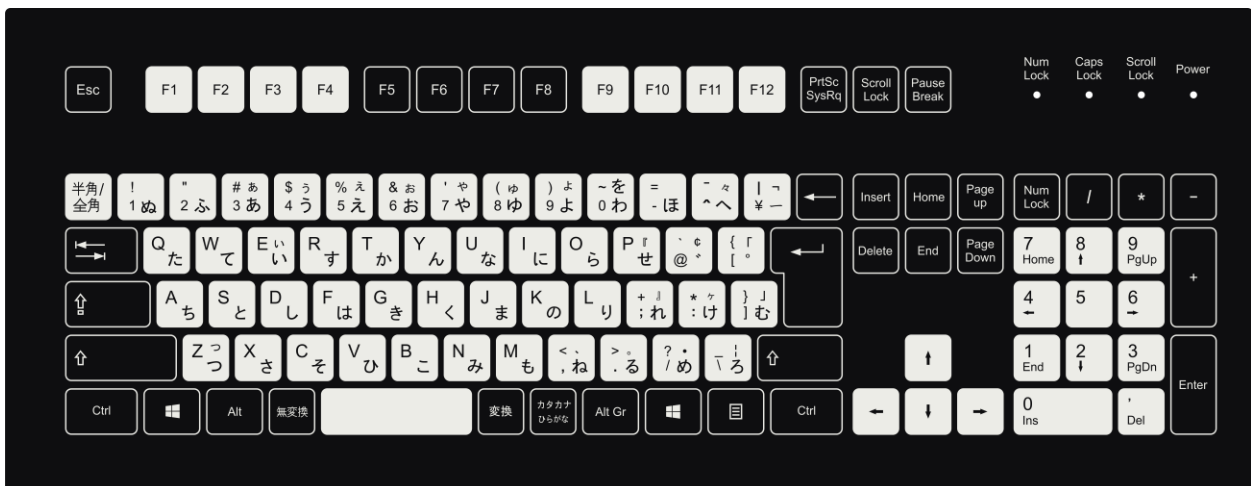


### 25.1.7 Slovenian - SL

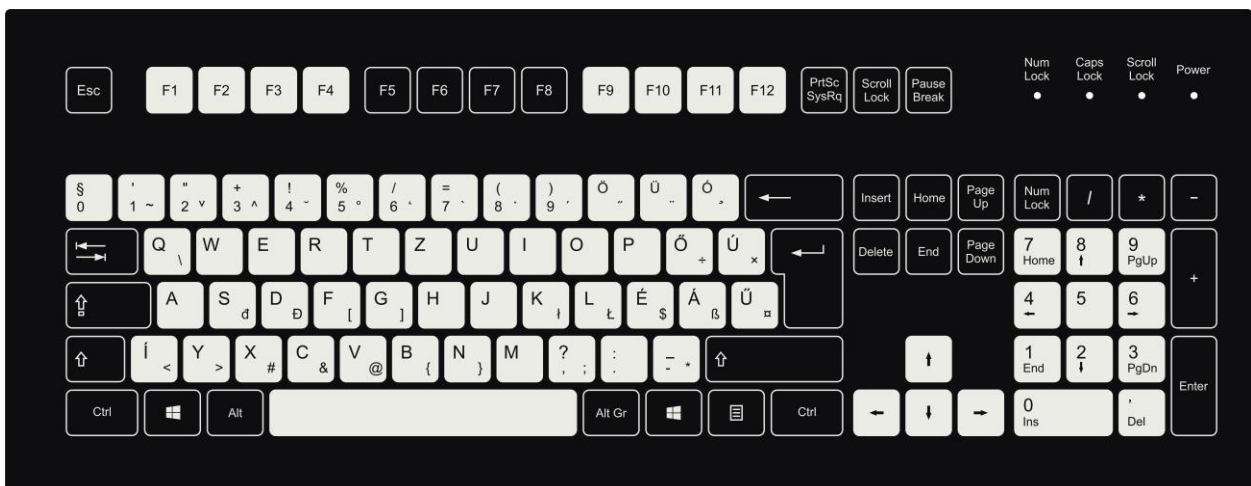


### 25.1.8 Japanese - JP

JIS standard



### 25.1.9 Hungarian - HU



### 25.1.10 Ukrainian - UA

In preparation

## 26 Appendix K

### 26.1 Release notes

The chapter entitled "Release Notes" contains all the changes made in every version of the Operating Instructions.

#### Version 01.01.01

- Removal of old release note
- Adaption earthing material in section "Scope of delivery"
- Adaption text and drawing for earthing material for xx7 and xx8 in section "Connection overview cable assignment KB2"
- Adaption text and drawing for earthing material for ORCA01\* in section "Connection overview cable assignment KB2"
- Deleted "Standard cable length of 2.4 m" in section "Proof of intrinsic safety - Connections"
- Changing / addition of attribute description for cable length in section "Technical data"
- Addition of code "NX - Devices for Non-Ex" in section "Type code layout"
- Addition of "Desktop enclosure with keyboard for Non-Ex applications" in section "Enclosure"
- Addition of reference to document "2023348000\_1-Arbeitsanweisung KB2 Desktop Binderstecker.pdf" in section "Further documents"
- Addition of "KB2 desktop assemblies" in section "Scope of delivery"
- Addition of drawings "Desktop enclosure with keyboard" in section "Enclosure versions"
- Addition of section "Keyboard with pointing device desktop mounting"
- Addition of "Symbol electrostatic discharge hazard" in section "Warning notes"
- Addition of section "Installation KB2 in enclosure"
- Changing name of document "Certificate compilation KB2\_A into KB2\_Doc-A (CE\_Keyboards\_KB2\_A into CE\_Keyboards\_KB2\_Doc-A)" in section "Further documents"
- Addition of "Comment" according to ATEX / IECEx in section "Approvals"
- Adaption "Summary of applied standards"
- Changing picture "Design of a type label"
- Adaption values for Co and Lo in section "Connections"
- Renew Declarations of conformity
- Formal changes

#### Version 01.01.02

- Addition of indian certifications BIS / PESO in section "Approvals"
- Addition of Ex classification PESO
- Addition of value "V - metal foil" in position "f" in section "Type code layout"
- Addition of description "or mounting at CFRP enclosure" in position "kkk" in section "Type code layout"
- Addition of value "D – drawing number, customized" in position "g" in section "Type code layout"
- Renew Cutout
- Addition of table "Overview Hardware Revision"
- Formal changes



R. STAHL HMI Systems GmbH  
Adolf-Grimme-Allee 8  
D 50829 Cologne

T:	(Sales Support)	+49 221 768 06 - 1200
	(Technical Support)	+49 221 768 06 - 5000
F:		+49 221 768 06 - 4200
E:	(Sales Support)	<a href="mailto:sales.dehm@r-stahl.com">sales.dehm@r-stahl.com</a>
	(Technical Support)	<a href="mailto:support.dehm@r-stahl.com">support.dehm@r-stahl.com</a>

[r-stahl.com](http://r-stahl.com)



THE STRONGEST LINK.