

## Bus-Carrier for linking device Series 9419/0..-LD1-..E1



- > For Fieldbus Power Supplies Series 9412 for supplying FF H1 segments or Profibus PA<sup>\*)</sup> segments with power
- > Slot for FG-200 Linking Device or pnGate PA<sup>\*)</sup> from Softing
- > For 4 or 8 fieldbus segments, simplex or redundant
- > Mounting on DIN rail or mounting plate
- > High availability through:
  - Redundant auxiliary power supply with signalling contact
  - Separate signalling contact for segment fault

www.stahl.de



A5

The bus-Carrier is a time- and cost-saving solution for installing the Fieldbus Power Supplies Series 9412 for supplying FF H1 fieldbus segments with power.

Carrier versions for 4 segments with simplex supply and for 4 or 8 segments with redundant supply are available.

There are specific slots for the Gateway Module Linking Device FG-200 HSE/FF to implement for the communication between FF H1 and HSE.

A special slot can be used to install a diagnosis communication model Series 9415, which will transmit the Physical Layer values measured by Power Supplies to an FF H1 segment.

	ATEX / IECEx					
Zone	0	1	2	20	21	22
Installation in			x <sup>*)</sup>			

<sup>\*)</sup> pnGate PA restriction: installation in a safe area and in no more than 2 segments

WebCode 9419C

# Bus-Carrier for linking device

## Series 9419/0..-LD1-..E1



### Selection Table

Version	Trunk supply	Number of segments	Number of slots	Order number
Bus-Carrier for Linking Device	simplex	4	4 FPS + 1 LD + 1 DCM	9419/04F-LD1-01E1
	simplex	8	8 FPS + 2 LD + 1 DCM	9419/08F-LD1-01E1
	redundant	4	8 FPS + 2 LD + 1 DCM	9419/04R-LD1-02E1
Note	The shield terminals must be ordered separately for the bus-Carrier.			

### Explosion Protection

<b>Global (IECEX)</b>	
Gas	IECEX BVS 09.0042X Ex nA nC IIC T4 Gc
<b>Europe (ATEX)</b>	
Gas	BVS 09 ATEX E 100 X ⊕ II 3 G Ex nA nC IIC T4 Gc
<b>Certifications and certificates</b>	
Certificates	IECEX, ATEX
Ship approval	In progress
<b>Further parameters</b>	
Installation	Zone 2, safe area
Further information	see respective certificate and operating instructions

### Technical Data

<b>Electrical data</b>	
Auxiliary power	
Nominal voltage $U_N$	24 V DC
Rated current $I_N$	≤ 8 A
Voltage range	19 to 32 V
Residual ripple within voltage range	≤ 3.6 $V_{SS}$
Redundant supply	yes, diode-decoupled
Polarity reversal protection	yes
Operation indication	2 LEDs, green ("pri", "red")
Electromagnetic compatibility	Tested under the following standards and regulations: EN 61326-1 Use in industrial environment;
<b>Error detection</b>	
Power fail (pri / red)	Contact "PF" (30 V / 100 mA) closed in good conditions
Diagnostics	Contact "Dia" (30 V / 100 mA) closed in good conditions
<b>Ambient conditions</b>	
Ambient temperature	-20 to +60 °C for further information, see operating instructions
Storage temperature	-40 to +80 °C
Relative humidity (no condensation)	< 95%
Use at the height of	< 2000 m

# Bus-Carrier for linking device

## Series 9419/0..-LD1-..E1



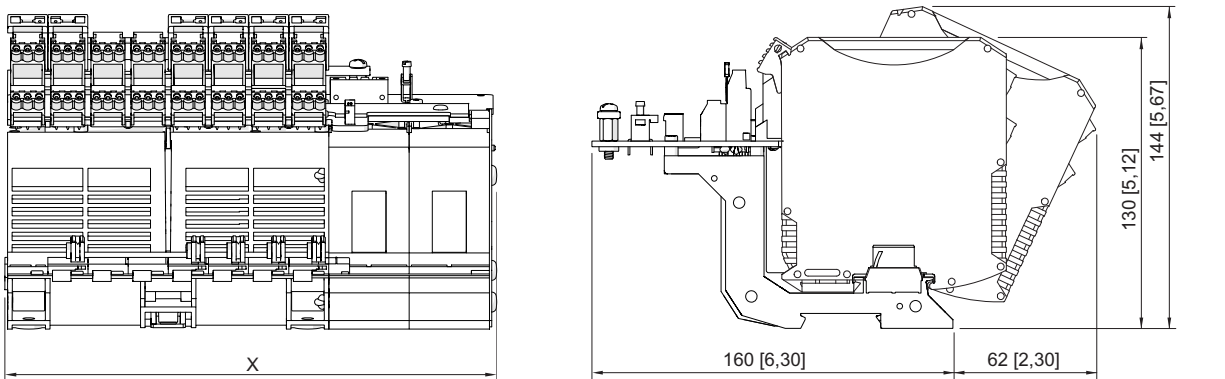
### Technical Data

#### Mechanical data

Connection	
Trunk	to the terminals of the bus-Carrier or of the fieldbus power supply
Linking device	Fieldbuses automatically by clicking into place in the slot provided. Auxiliary power automatically by clicking into place on the slot provided. Ethernet (HSE / Modbus TCP) through RJ45 connector
DCM	See operating instructions 9415
Shield	Shield terminal or plug connector or shield bus with strain relief
Connection	Screw terminals
cross-section	<p>Single-core connection</p> <ul style="list-style-type: none"> <li>- rigid 0.2 to 2.5 mm<sup>2</sup></li> <li>- flexible 0.2 to 2.5 mm<sup>2</sup></li> <li>- flexible with core end sleeves (without / with plastic sleeve) 0.25 to 2.5 mm<sup>2</sup></li> </ul> <p>Two-core connection</p> <ul style="list-style-type: none"> <li>- rigid 0.2 to 1 mm<sup>2</sup></li> <li>- flexible 0.2 to 1.5 mm<sup>2</sup></li> <li>- flexible with core end sleeves 0.25 to 1 mm<sup>2</sup></li> </ul>
Mounting type	On DIN rail (NS35/15, NS35/7.5) or mounting plate (M5 screws, torque: 2.7 Nm)
Mounting orientation	horizontal or vertical
Degree of protection	IP00
Terminals	IP20
Enclosure material	PA 6.6
Fire resistance (UL-94)	V0

A5

#### Dimensional drawing (all dimensions in mm [inches]) – Subject to change



18231E00





Type	Dimension X
9419/04F-LD1-01E1	217 mm [8.55"]
9419/08F-LD1-01E1	359 mm [14.13"]
9419/04R-LD1-02E1	359 mm [14.13"]

## Bus-Carrier for linking device

### Series 9419/0..-LD1-..E1



#### Accessories and Spare Parts

Designation	Figure	Description	Order number	Weight
Fieldbus Power Supply Series 9412	 12783E00	fieldbus power supply and diagnostics	<b>9412/00-310-11s</b>	kg 0.135
	 12809E00	fieldbus power supply, diagnostics and adjustable warning level	<b>9412/00-320-11s</b>	0.135
Diagnosis communication module Series 9415	 14406E00	transmission of diagnostics data for up to 8 segments via FF H1	<b>9415/00-310-42</b>	0.240
Spring clamp clip	 15797E00	Spring-loaded clamping bracket KLBÜ C01	<b>Klemmbügel</b>	0.001

We reserve the right to make alterations to the technical data, dimensions, weights, designs and products available without notice. The illustrations cannot be considered binding.