

Mounting stand Series 8298

STAHL



- > Used to mount control and monitoring units in vertical and horizontal positions
- > Material:
U-profile made of 1.4301 stainless steel
- > Special brackets for mounting on the base
- > Easy installation of protective roofs
- > Available versions:
 - Pillar is 1500 mm high, with mounting plate installed vertically
 - Pillar is 1000 mm high, with mounting plate installed at an angle
- > Available protective roofs

www.stahl.de



18282E00

If no suitable options are available for device mounting on site, 8298 mounting stands can be used. These are capable of installing a control console in an optimum position within a system part.


E9

WebCode 8298D

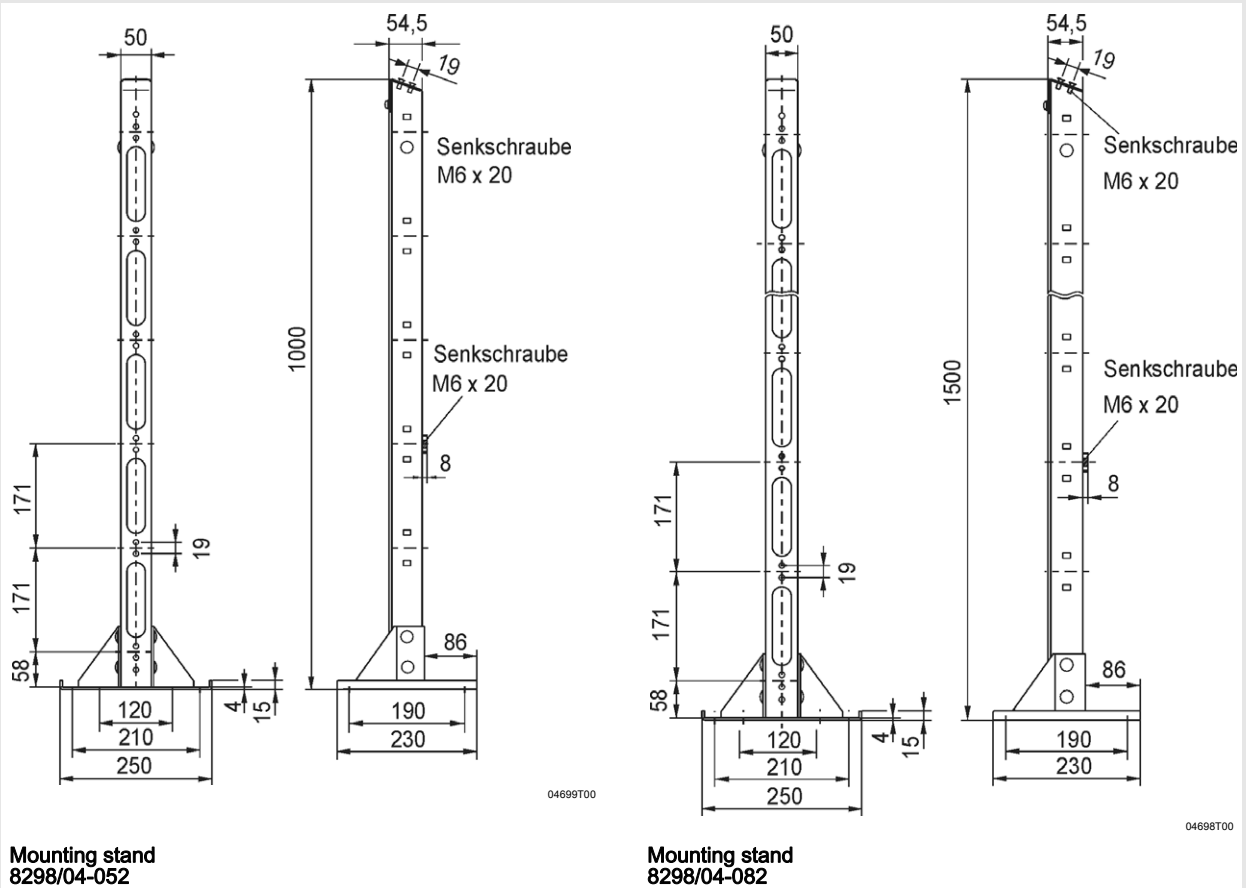
Mounting stand

Series 8298

Selection Table

Version	Description	Art. no.	Weight kg	
 18283E00	For on-site mounting and monitoring devices; mounting kit, consists of a base, support and mounting parts Material: U-profile, 1.4301 stainless steel			
	Installation height [mm]	Position of the mounting plate		
	1000	angled	143788	7.478
	1500	vertical	143792	8.995

Dimensional drawings (all dimensions in mm [inches]) ⚠ Subject to modifications



We reserve the right to make alterations to the technical data, dimensions, weights, designs and products available without notice. The illustrations cannot be considered binding.