



- Integrated terminal box
- All round lanterns are delivered with mounting bracket for 2" pipe
- Designed for use in arctic and tropical waters
- Resistant to vibrations
- Lens of through-coloured glass, no decolouration during the lifetime of the lantern.

**E6**

**MY R. STAHL T2850A**



Extensively tested in rough environments, navigation lights from Tranberg are the obvious choice by many vessel designers, ship owners and yards throughout the world. Our products and services meet the highest quality standards, perform reliably and efficiently to exceed customers expectations and assure market competitiveness.

The design of Tranberg's navigation lights is based on many years of experience and research in the field of professional Marine lighting. Carefully selected materials are used to ensure maximum performance, low maintenance and long trouble free life.

	IECEX / ATEX					
Zone	0	1	2	20	21	22
Installation in			•			

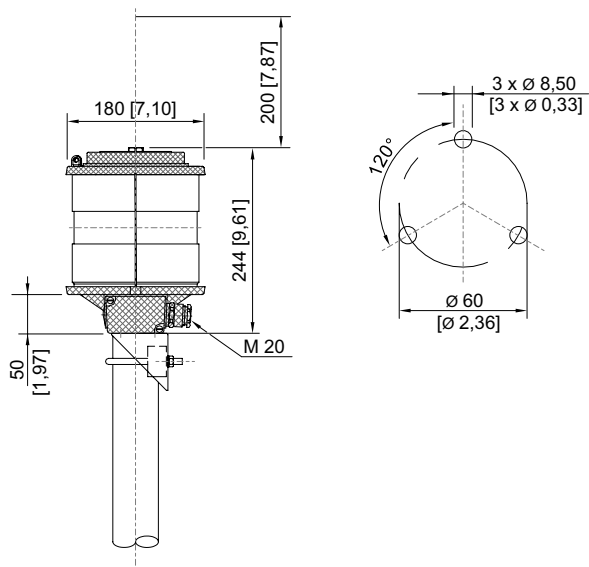
Selection Table							
Power	55.00 - 85.00 W						
Lamp type	Opening angle	Colour of glass	Visibility range 20-50m	Visibility range over 50m	Product Type	Art. No.	Weight
Allround light	360 °	White	55W/35cd – min. 5 nm	85W/65cd – min. 6 nm	TEF28505029	165891	3.1 kg
		Green	55W/35cd – min. 2 nm	85W/65cd – min. 3 nm	TEF28505129	165892	3.1 kg
		Red	55W/35cd – min. 2 nm	85W/65cd – min. 3 nm	TEF28505229	165893	3.1 kg
Masthead	225 °	White	55W/35cd – min. 5 nm	85W/65cd – min. 6 nm	TEF28500029	165885	3.7 kg
Port	112.5 °	Red	55W/35cd – min. 2 nm	85W/65cd – min. 3 nm	TEF28502029	165887	3.7 kg
Starboard	112.5 °	Green	55W/35cd – min. 2 nm	85W/65cd – min. 3 nm	TEF28501029	165886	3.7 kg
Stern	135 °	Grey	55W/35cd – min. 2 nm	85W/65cd – min. 3 nm	TEF28503529	165890	3.7 kg
Stern cleats	135 °	Yellow	55W/35cd – min. 2 nm	85W/65cd – min. 3 nm	TEF28503329	165889	3.7 kg
Suez stern light	135 °	Red	55W/35cd – min. 2 nm	85W/65cd – min. 3 nm	TEF28503229	165888	3.7 kg

Technical Data	
Explosion Protection	
IECEX gas explosion protection	Ex nR IIC T5 Gc
ATEX gas explosion protection	II 3 G Ex nR IIC T5 Gc
Electrical Data	
Rated operational voltage AC	110 ... 230 V

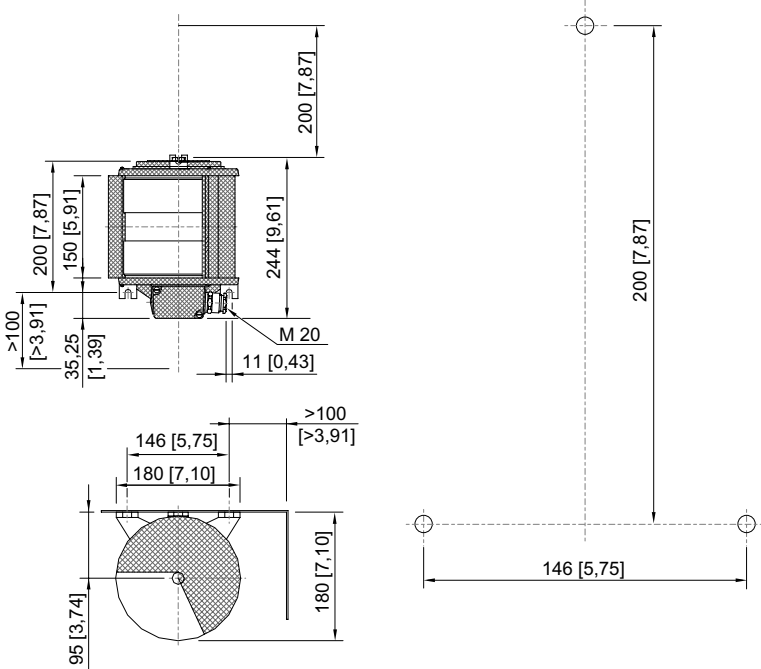
Technical Data	
Ambient Conditions	
Ambient temperature	-52 °C ... +45 °C
Lighting Data	
Lamp	B22 lamp base
Mechanical Data	
Enclosure material	Aluminium, powder-coated
Material dome	Lens made of stained glass
Type of connection cable	Finely stranded Solid
Components	
Drilled holes	1 x M20
Cable glands and entries	1 x M20 Ø 9 ... 14.3 mm

Accessories			
Figure	Description	Art. No.	Weight
Lamp holder			
	B22	165905	200 g
Light source			
	65cd, B22, 230 V	165909	60 g
	65cd, B22, 120 V	165910	60 g
	35cd, B22, 230 V	165911	60 g
	35cd, B22, 120 V	165912	60 g
	35cd, B22, 24 V	165913	60 g

**Dimensional Drawings (All Dimensions in mm [inches]) – Subject to Alterations**



TEF 2850 all round navigation light



TEF 2850 sector lantern