

- For supplying field devices with intrinsically safe auxiliary power, variants for many applications
- Flexible and space-saving devices that are easy to install on a DIN rail
- Reduced stock-keeping thanks to a uniform back-up fuse

MY R. STAHL 9004A



R. STAHL's series 9004 INTRINSPAK single-channel safety barriers are ideally suited to supplying field devices with intrinsically safe auxiliary power due to their electronic current limiting. They have a particularly good power yield and are available in many variants for circuits with a negative or positive potential, including for unregulated power supplies.

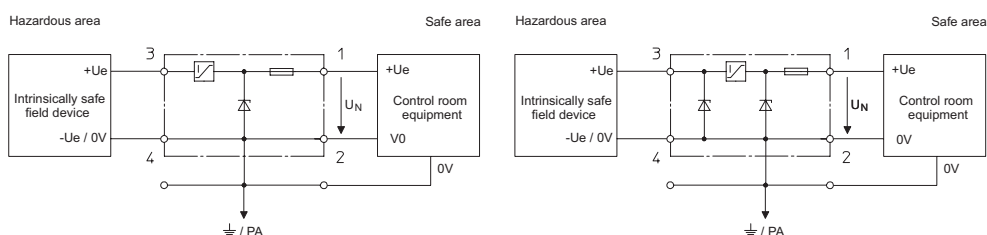
| | IECEX / ATEX | | | | | |
|-----------------|--------------|---|---|----|----|----|
| Zone | 0 | 1 | 2 | 20 | 21 | 22 |
| Ex interface | | • | • | | • | • |
| Installation in | | | • | | | |

| Selection Table | | | | | | | | |
|--|------------------------------|------------------------------|--------------------|--------------------|------------------|---------------------|----------|--------|
| Series 9004/01, for positive potential | | | | | | | | |
| Product variant | Minimum resistance R_{min} | Maximum resistance R_{max} | Max. voltage U_o | Max. current I_o | Max. power P_o | Product Type | Art. No. | Weight |
| 12 V DC | 26 Ω | 30 Ω | 16.8 V | 50 mA | 840 mW | 9004/01-168-050-001 | 159060 | 116 g |
| 16 V | 34 Ω | 44 Ω | 20 V | 50 mA | 1000 mW | 9004/01-200-050-001 | 159068 | 118 g |
| Series 9004/51, for positive potential with voltage limiting | | | | | | | | |
| Product variant | Minimum resistance R_{min} | Maximum resistance R_{max} | Max. voltage U_o | Max. current I_o | Max. power P_o | Product Type | Art. No. | Weight |
| 23 ... 27 V DC | - | - | 20.6 V | 85 mA | 1751 mW | 9004/51-206-085-001 | 159094 | 126 g |

| Technical Data | | |
|---------------------------------|---|---|
| Variant | 9004/01 | 9004/51 |
| Explosion Protection | | |
| IECEX gas explosion protection | Ex ec [ib Gb] IIC T4 Gc | Ex ec [ib Gb] IIB T4 Gc |
| IECEX dust explosion protection | [Ex ib Db] IIIC | [Ex ib Db] IIIC |
| ATEX gas explosion protection | Ⓔ II 3 (2) G Ex ec [ib Gb] IIC T4 Gc | Ⓔ II 3 (2) G Ex ec [ib Gb] IIB T4 Gc |
| ATEX dust explosion protection | Ⓔ II (2) D [Ex ib Db] IIIC | Ⓔ II (2) D [Ex ib Db] IIIC |
| Certificates | ATEX (PTB), Canada (CSA), IECEX (PTB) | ATEX (PTB), Canada (CSA), IECEX (PTB) |
| Installation | in Zone 2, Division 2 and in safe areas | in Zone 2, Division 2 and in safe areas |
| Further information | See relevant certificate and operating instructions | See relevant certificate and operating instructions |
| Ambient Conditions | | |
| Ambient temperature | -20 °C ... 60 °C | -20 °C ... 60 °C |
| Storage temperature | -20 °C ... 75 °C | -20 °C ... 75 °C |

| Technical Data | | |
|-------------------------------------|--------------------------|--------------------------|
| Variant | 9004/01 | 9004/51 |
| Mechanical Data | | |
| Degree of protection (IP) | IP40 | IP40 |
| Degree of protection (IP) terminals | IP20 | IP20 |
| Enclosure material | Polyamide 6GF | Polyamide 6GF |
| Number of connection terminals | 4 | 4 |
| Connection cross-section max. | 1.5 mm ² | 1.5 mm ² |
| Type of connection cable | Finely stranded Solid | Finely stranded Solid |

Technical Drawings – Subject to Alterations



Single-Channel Safety Barriers with Electronic Current Limitation for Positive Polarity

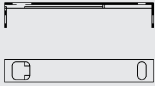
Single-Channel Safety Barriers with Electronic Current Limitation for Positive Polarity with Voltage Limitation

Accessories

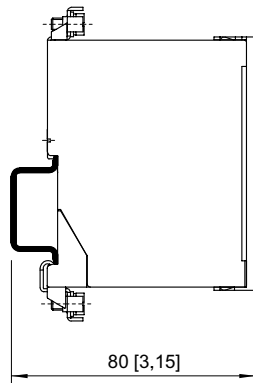
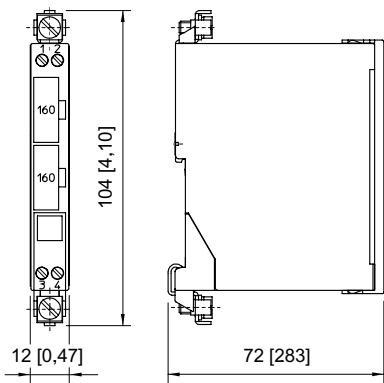
| Figure | Description | Art. No. | Weight |
|---------------------------------|---|----------|--------|
| Terminal block | | | |
| | Phoenix Contact terminal block UT 4-PE | 113057 | 1 g |
| | Phoenix Contact terminal block UT 6-PE | 113058 | 1 g |
| Adaptor | | | |
| | The adaptor enables a safety barrier to be installed on a clamping base (Art. No. 165283) or mounting plate from a previous series. | 158826 | 6 g |
| Clamping base, moulded material | | | |
| | Enables the safety barrier to be mounted on a G-rail. The safety barrier is mounted using the adapter (Art. No. 158826). | 165283 | 4 g |
| Fuse holder | | | |
| | The fuse holder is snapped onto the side of a safety barrier and can be equipped with up to five back-up fuses (replacement). | 158834 | 20 g |

Spare Parts

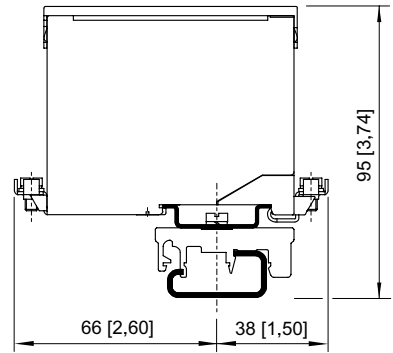
| Figure | Description | Art. No. | Weight |
|--------------|--|----------|--------|
| Back-up fuse | | | |
| | For all series 9001, 9002 and 9004 safety barriers Packaging unit: 5 pieces | 158964 | 8 g |

| Spare Parts | | | |
|---|---------------------------------|----------|--------|
| Figure | Description | Art. No. | Weight |
| Label carrier | | | |
|  | Transparent cover for the label | 158977 | 2 g |

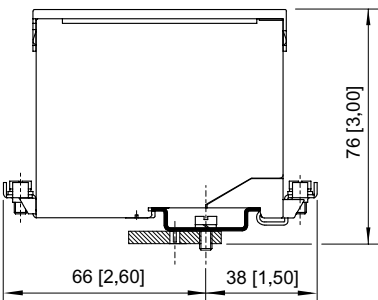
Dimensional Drawings (All Dimensions in mm [inches]) – Subject to Alterations



mounted on the NS 35/15 mounting rail



mounted on the NS 32 mounting rail with adaptor and clamping base made of moulded material



installed on mounting plate with adaptor