



- Standard variants with short delivery times, customer-specific options possible
- With miniature circuit breaker, tripping characteristic C
- With residual current circuit breaker with overcurrent release, tripping characteristic C
- Nominal currents of 10, 16, 20 and 25 A

E8

MY R. STAHL 8146D



R. STAHL Series 8146 lighting and heating circuit distribution boards are modular and are therefore available in a large number of standard variants which are ready for rapid delivery. Customer-specific options are also possible. The moulded case circuit breakers are installed beneath a hinged inspection glass and can be actuated from the outside, even when live. The switching position is visible at all times.

	IECEX / ATEX					
Zone	0	1	2	20	21	22
Installation in		•	•		•	•

Selection Table							
Product Description Built-in unit 2		Circuit distribution board light With miniature circuit breaker 6 x Miniature circuit breaker 1-pole 16A / C / 6 kA					
Rated operational current	Entry 1	Entry 2	Entry 3	Layout No.	Product Type	Art. No.	Weight
32 A (T6)	1 x 8161/7-M40-2812	6 x 8161/7-M25-1707	1 x 8161/7-M16-0902	01	8146/5-ExV-01-06L16C1P-T	137111	25 kg
	1 x 8161/7-M40-2812	6 x 8161/7-M25-1707	1 x 8161/7-M16-0902	06	8146/5-ExV-06-06L16C1P-D	137135	25 kg
Product Description Built-in unit 2		Circuit distribution board light With miniature circuit breaker 12 x Miniature circuit breaker 1-pole 16A / C / 6 kA					
Rated operational current	Entry 1	Entry 2	Entry 3	Layout No.	Product Type	Art. No.	Weight
64 A (T6)	1 x 8161/7-M50-3516	12 x 8161/7-M25-1707	1 x 8161/7-M16-0902	02	8146/5-ExV-02-12L16C1P-T	137118	37 kg
	1 x 8161/7-M50-3516	12 x 8161/7-M25-1707	1 x 8161/7-M16-0902	07	8146/5-ExV-07-12L16C1P-D	137140	37 kg
Product Description Built-in unit 2		Circuit distribution board light With miniature circuit breaker 18 x Miniature circuit breaker 1-pole 16A / C / 6 kA					
Rated operational current	Entry 1	Entry 2	Entry 3	Layout No.	Product Type	Art. No.	Weight
80 A (T6)	1 x 8161/7-M50-3516	18 x 8161/7-M25-1707	1 x 8161/7-M16-0902	03	8146/5-ExV-03-18L16C1P-T	137124	50 kg
Product Description Built-in unit 2		Circuit distribution board light With miniature circuit breaker 24 x Miniature circuit breaker 1-pole 16A / C / 6 kA					
Rated operational current	Entry 1	Entry 2	Entry 3	Layout No.	Product Type	Art. No.	Weight
80 A (T6)	1 x 8161/7-M50-3516	24 x 8161/7-M25-1707	1 x 8161/7-M16-0902	04	8146/5-ExV-04-24L16C1P-T	137130	70 kg

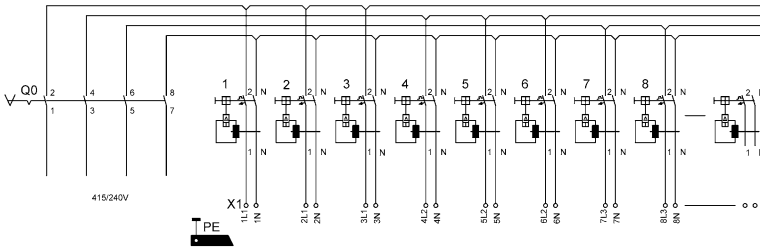
Selection Table							
Product Description Built-in unit 2		Heating circuit distrib.boards With residual current circuit breaker With overcurrent release 8 x Residual current circuit breaker 1-pole 16 A+N/30 mA/B/6 kA					
Rated operational current	Entry 1	Entry 2	Entry 3	Layout No.	Product Type	Art. No.	Weight
48 A (T4)	1 x 8161/7-M40-2812	8 x 8161/7-M25-1707	1 x 8161/7-M16-0902	02	8146/5-ExV-02-08H16B1N-T	137146	37 kg
	1 x 8161/7-M40-2812	8 x 8161/7-M25-1707	1 x 8161/7-M16-0902	07	8146/5-ExV-07-08H16B1N-D	137171	37 kg
Product Description Built-in unit 2		Heating circuit distrib.boards With residual current circuit breaker With overcurrent release 8 x Residual current circuit breaker 1-pole 16 A+N/30 mA/C/6 kA					
Rated operational current	Entry 1	Entry 2	Entry 3	Layout No.	Product Type	Art. No.	Weight
48 A (T4)	1 x 8161/7-M40-2812	8 x 8161/7-M25-1707	1 x 8161/7-M16-0902	02	8146/5-ExV-02-08H16C1N-T	137161	37 kg
	1 x 8161/7-M40-2812	8 x 8161/7-M25-1707	1 x 8161/7-M16-0902	07	8146/5-ExV-07-08H16C1N-D	137173	37 kg
Product Description Built-in unit 2		Heating circuit distrib.boards With residual current circuit breaker With overcurrent release 12 x Residual current circuit breaker 1-pole 16 A+N/30 mA/B/6 kA					
Rated operational current	Entry 1	Entry 2	Entry 3	Layout No.	Product Type	Art. No.	Weight
64 A (T4)	1 x 8161/7-M50-3516	12 x 8161/7-M25-1707	1 x 8161/7-M16-0902	03	8146/5-ExV-03-12H16B1N-T	137152	50 kg
Product Description Built-in unit 2		Heating circuit distrib.boards With residual current circuit breaker With overcurrent release 12 x Residual current circuit breaker 1-pole 16 A+N/30 mA/C/6 kA					
Rated operational current	Entry 1	Entry 2	Entry 3	Layout No.	Product Type	Art. No.	Weight
64 A (T4)	1 x 8161/7-M50-3516	12 x 8161/7-M25-1707	1 x 8161/7-M16-0902	03	8146/5-ExV-03-12H16C1N-T	137164	50 kg
Product Description Built-in unit 2		Heating circuit distrib.boards With residual current circuit breaker With overcurrent release 24 x Residual current circuit breaker 1-pole 16 A+N/30 mA/B/6 kA					
Rated operational current	Entry 1	Entry 2	Entry 3	Layout No.	Product Type	Art. No.	Weight
80 A (T4)	1 x 8161/7-M50-3516	24 x 8161/7-M25-1707	1 x 8161/7-M16-0902	05	8146/5-ExV-05-24H16B1N-T	137157	95 kg
Product Description Built-in unit 2		Heating circuit distrib.boards With residual current circuit breaker With overcurrent release 24 x Residual current circuit breaker 1-pole 16 A+N/30 mA/C/6 kA					
Rated operational current	Entry 1	Entry 2	Entry 3	Layout No.	Product Type	Art. No.	Weight
80 A (T4)	1 x 8161/7-M50-3516	24 x 8161/7-M25-1707	1 x 8161/7-M16-0902	05	8146/5-ExV-05-24H16C1N-T	137167	95 kg

Technical Data		
Variant	With residual current circuit breaker	With miniature circuit breaker
Explosion Protection		
IECEx dust explosion protection	Ex tb IIIC T130 °C Db	Ex tb IIIC T80 °C Db
IECEx gas explosion protection	Ex db eb IIC T4 Gb	Ex db eb IIC T6 Gb
ATEX gas explosion protection	Ⓔ II 2 G Ex db eb IIC T4 Gb	Ⓔ II 2 G Ex db eb IIC T6 Gb
ATEX dust explosion protection	Ⓔ II 2 D Ex tb IIIC T130 °C Db	Ⓔ II 2 D Ex tb IIIC T80 °C Db
Certificates	ATEX (PTB), Canada (FM), China (NEPSI), IECEx (PTB), India (PESO), Korea (KGS), Taiwan (ITRI), USA (FM)	ATEX (PTB), Canada (FM), China (NEPSI), IECEx (PTB), India (PESO), Korea (KGS), Taiwan (ITRI), USA (FM)
Declaration of Conformity	ATEX (EUK), China (CCC)	ATEX (EUK), China (CCC)
Notes	Product label may vary. Series devices are labelled with ATEX and IECEx.	
Electrical Data		
Rated operational voltage AC	230 – 400 V	230 – 400 V
Notes	Depending on the terminal type and the explosion-protected components used	
Ambient Conditions		
Ambient temperature	-20 °C ... +40 °C	-20 °C ... +40 °C

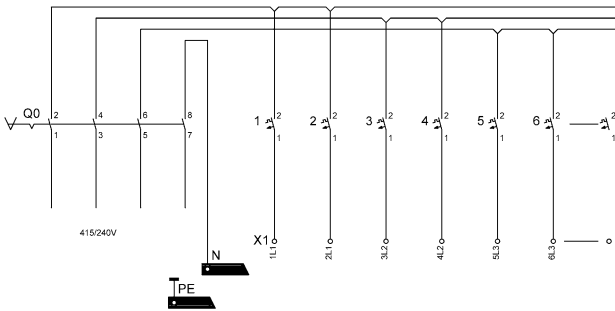
Technical Data

Variant	With residual current circuit breaker	With miniature circuit breaker
Mechanical Data		
Degree of protection (IP) (IEC 60529)	IP66	IP66
Enclosure material	Polyester resin, Glass fibre reinforced	Polyester resin, Glass fibre reinforced
Flame retardant acc.	IEC/EN 60695, UL 94, ASTM D635	IEC/EN 60695, UL 94, ASTM D635
Impact strength (IEC 60079)	7 J	7 J

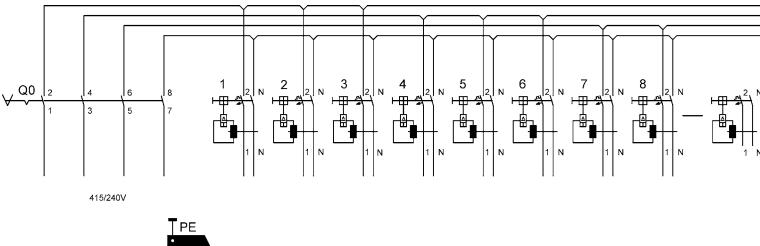
Technical Drawings – Subject to Alterations



Circuit diagram 8146/5-ExV-...1N-T

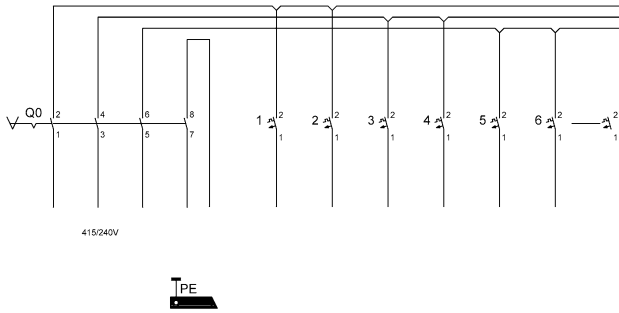


Circuit diagram 8146/5-ExV-...1P-T



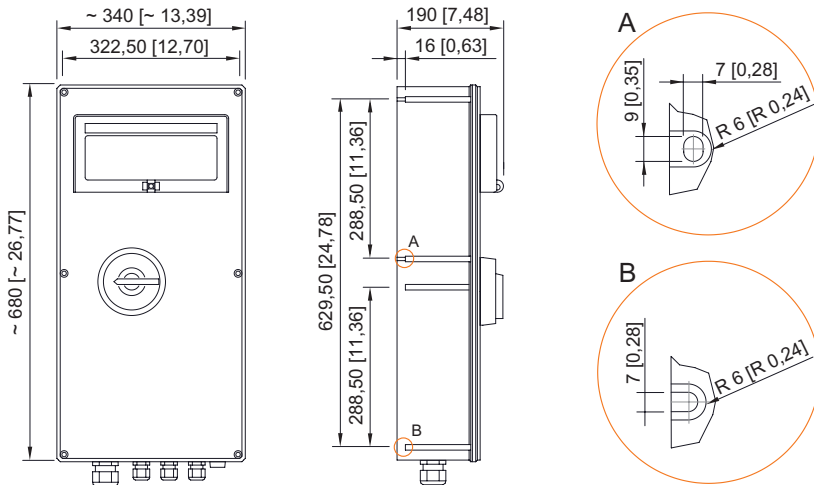
Circuit diagram
8146/5-ExV-...1N-D; 8264/5-ExV-...1N-D

E8

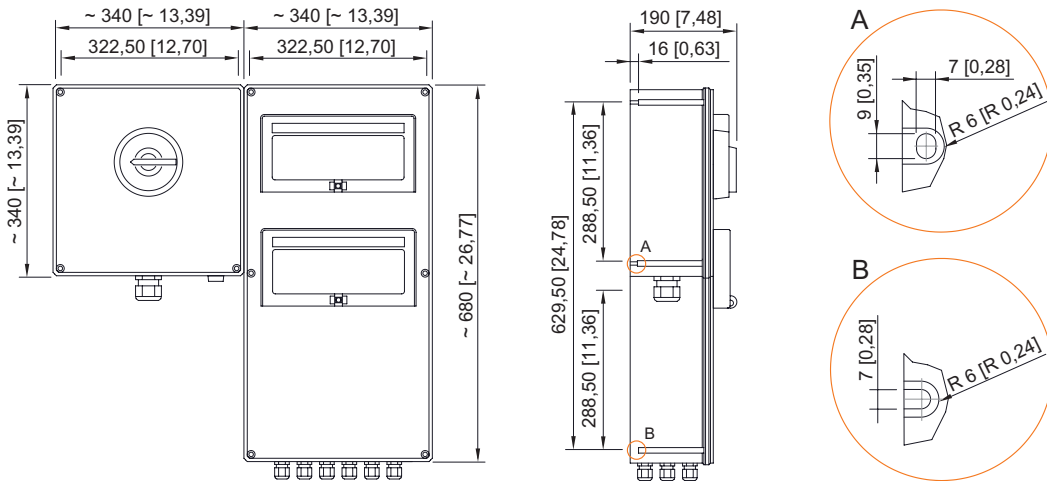


Circuit diagram
8146/5-ExV-...-.....1P-D; 8264/5-ExV-...-.....1P-D

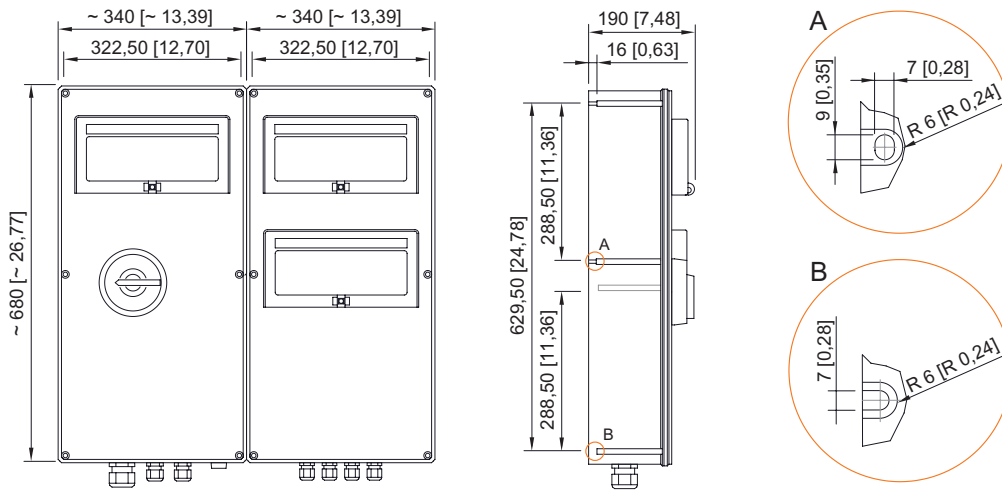
Dimensional Drawings (All Dimensions in mm [inches]) – Subject to Alterations



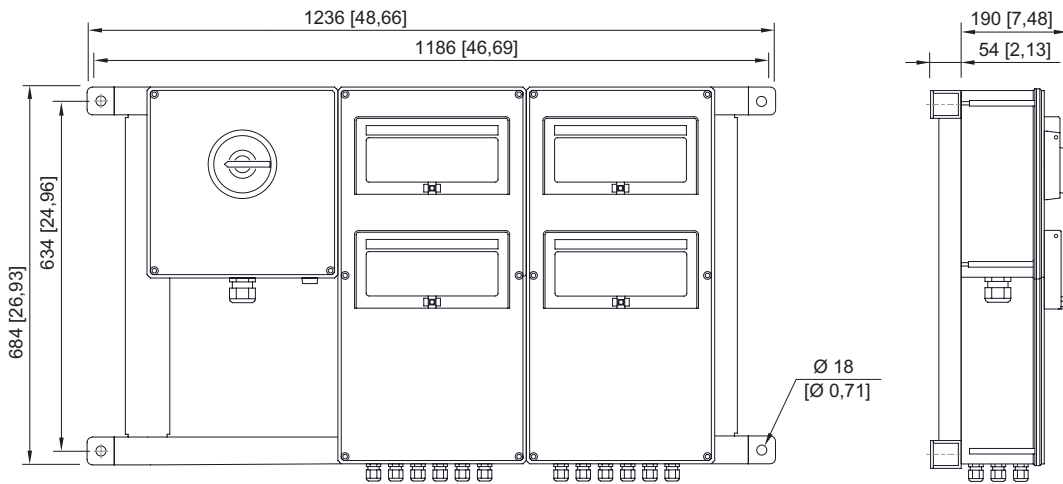
Layout 01



Layout 02

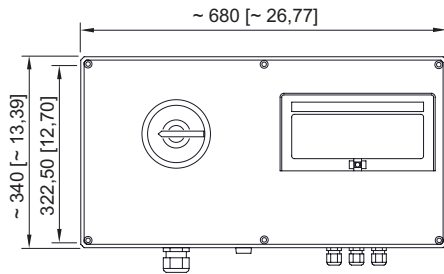
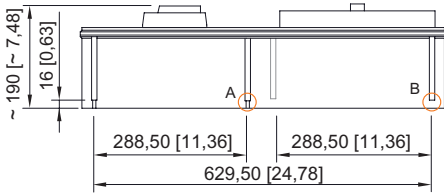
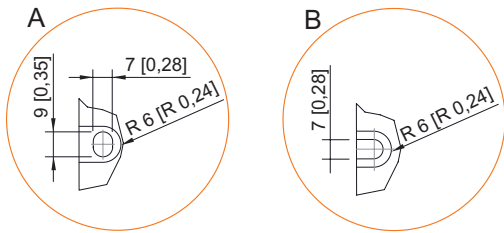


Layout 03

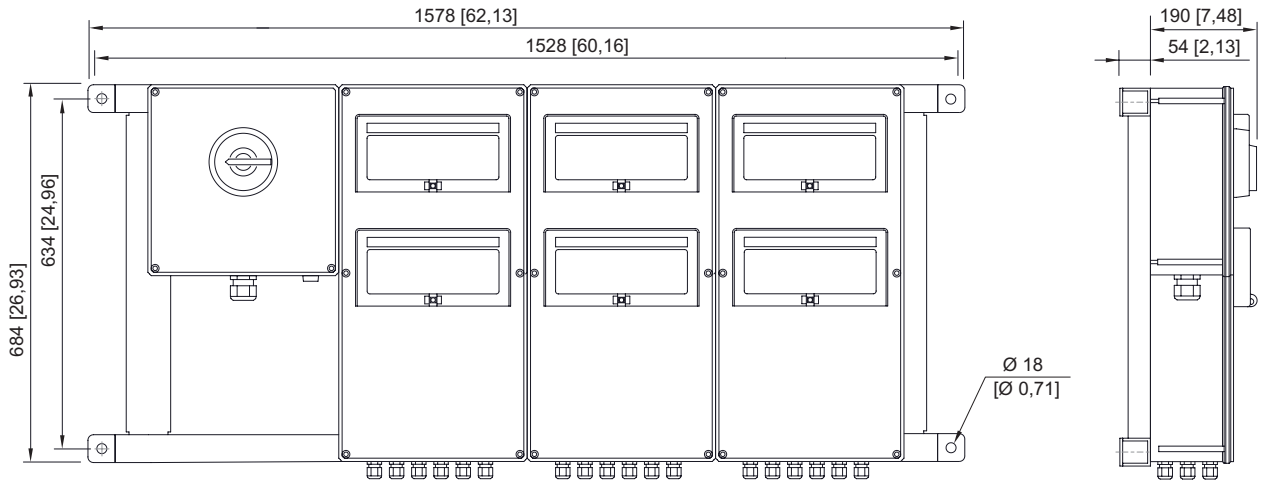


Layout 04

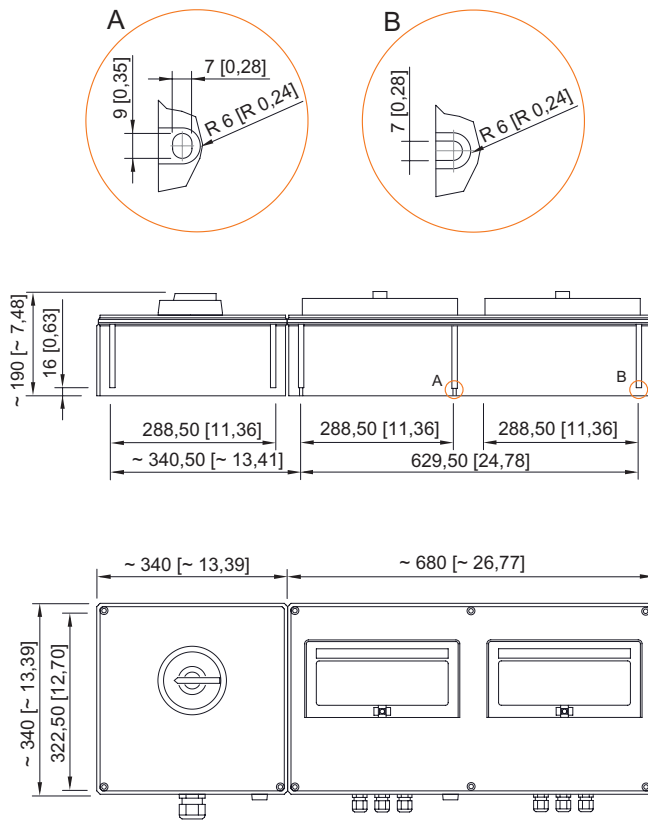
E8



Layout 06



Layout 05



Layout 07