



- Economical, advantageous LED technology: High luminance, low heat build-up, an extremely long service life and maintenance-free operation
- Easily visible light signals thanks to diffusers lenses in red, yellow, green, blue and white
- For use in temperatures as low as -60 °C

E4

MY R. STAHL 8010C



The series 8010 lighting elements from R. STAHL use a white LED with a diffuser lens, the light from which can be also be coloured red, yellow, green and blue using calottes. This means that important signals from a switchgear are easily visible, even in poor lighting conditions. The lighting elements are robust and can be used at temperatures as low as -60 °C.



	IECEX / ATEX					
Zone	0	1	2	20	21	22
Installation in		•	•			

Selection Table						
Product description		LED element for front installation Ex i				
AC rated operational voltage	Rated operational voltage DC	Packaging unit	Product Type	Art. No.	Weight	
12 ... 24 V	12 ... 24 V	1	8010C6-21-2	348844	90 g	
12 ... 24 V	12 ... 24 V	5	8010C6-21-2	348846	450 g	
Product description		LED element for installation on mounting rail Ex i				
AC rated operational voltage	Rated operational voltage DC	Packaging unit	Product Type	Art. No.	Weight	
12 ... 24 V	12 ... 24 V	1	8010C6-11-2	348750	90 g	
12 ... 24 V	12 ... 24 V	5	8010C6-11-2	348843	450 g	

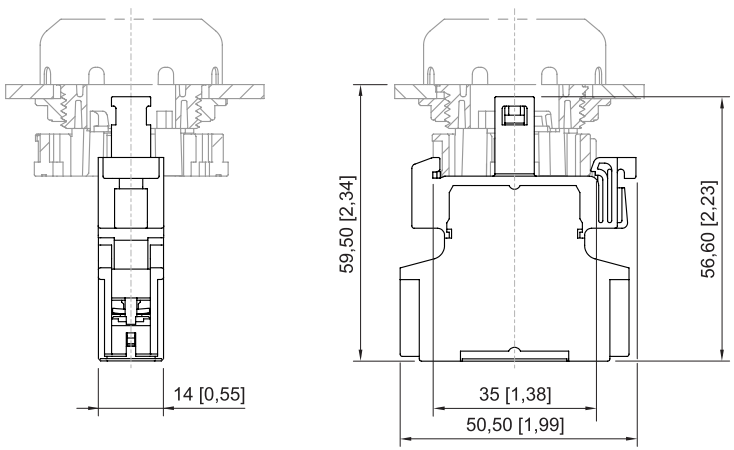
Technical Data	
Explosion Protection	
IECEX gas explosion protection	Ex db ia IIC Gb
ATEX gas explosion protection	II 2 G Ex db ia IIC Gb
Certificates	ATEX (PTB), Brazil (ULB), China (CQST), IECEX (PTB), India (PESO), Korea (KTL)
Notes	Product label may vary. Series devices are labelled with ATEX and IECEX.
Safety Data	
Max. capacitance C_i	Negligible
Max. inductance L_i	Negligible
Max. voltage U_i	30 V
Max. current I_i	150 mA
Max. power P_i	1000 mW
Electrical Data	
Voltage tolerance	-10 to +10%
Frequency	0 ... 60 Hz

Technical Data	
Electrical Data	
Rated operational current	0.02 A
Max. rated operational power	1 W
Electrical service life	10 ⁵ lighting hours
Ambient Conditions	
Ambient temperature	-60 °C ... +80 °C
Ambient temperature	-76 °F ... +176 °F
Operating temperature	-60 °C ... +100 °C
Operating temperature	-76 °F ... +212 °F
Lighting Data	
Lamp	White LED
Mechanical Data	
Degree of protection (IP) (IEC 60529)	IP20
Enclosure material	Polyamide
Silicone-free	Yes
Solid connection cross section	0.32 – 2.5 mm ²
Connection cross-section AWG single stranded	22 AWG ... 14 AWG
Finely stranded connection cross section	0.32 – 2.5 mm ²
Finely stranded connection cross-section AWG	22 AWG ... 14 AWG
Connection cross-section, finely stranded with core end sleeve	0.32 – 2.5 mm ²
Connection cross-section, finely stranded with core end sleeve AWG	22 AWG - 14 AWG
Mounting / Installation	
Tightening torque	1.2 N · m
Tightening torque lbf in	10.62 lbf in
Connection	Screw terminal

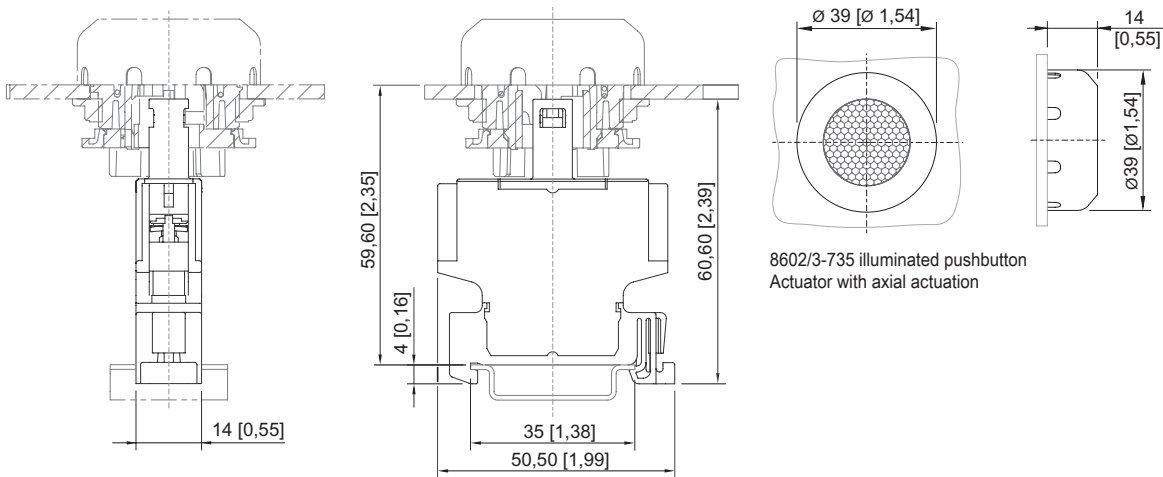
Accessories			
Figure	Description	Art. No.	Weight
Indicator lamp bezel BG054			
	Diameter 39 mm All colours Silicone-free: Yes	223122	24 g
	Diameter 39 mm All colours Silicone-free: No	223123	24 g
Illuminated pushbutton (spring return) BG735			
	Ø 39 mm Black Front panel mounting All colours Silicone-free: Yes	244654	35 g
	Ø 39 mm Black Front panel mounting All colours Silicone-free: No	244655	35 g

Spare Parts			
Figure	Description	Art. No.	Weight
Adaptor for front installation			
	8602/3 Front installation for indicator lamp series 8010/6 and contact element series 8082/3	227038	8 g
Holder for front installation			
	8602/3 holder for cable duct	248673	50 g

Dimensional Drawings (All Dimensions in mm [inches]) – Subject to Alterations



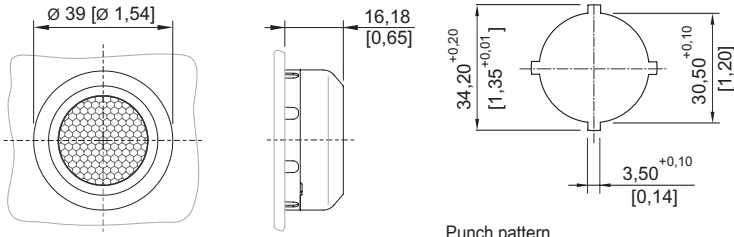
LED indicator lamp



8602/3-735 illuminated pushbutton
Actuator with axial actuation

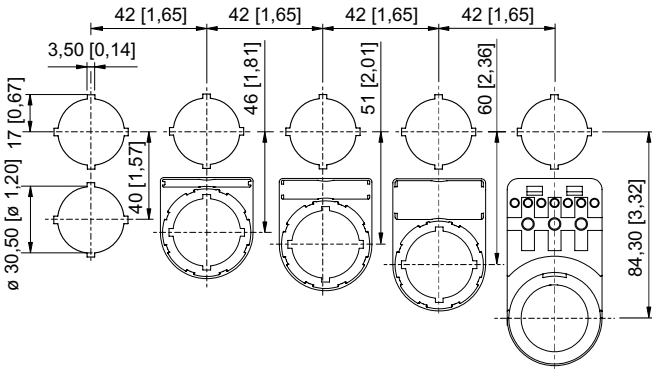
Lighting element LED
for installation on mounting rail

E4



Punch pattern

8602/3-054 indicator lamp bezel
Actuator without actuation



Cut-out with/without additional designation plate