



- Pushbutton, mushroom pushbutton, mushroom stay-put button with key lock, mushroom stay-put button, twin pushbutton and illuminated pushbutton, rotary actuator, key-operated switch, potentiometer bezel and indicator lamp bezel
- One axial actuator can actuate up to four Series 8082 contact elements
- Key-operated switches and rotary switches codable at any time as "latching/spring return" or "key not removable"

MY R. STAHL 8602A



Thanks to their special technical features, the actuators from the 8602/3 series can withstand the most extreme conditions. In addition to the application option for use in ambient temperatures from -60 °C to +70 °C, the IP degree of protection, IP66, is maintained in accordance with EN 60529. It is also possible to actuate up to four contact elements from the 8082 series with a single axial actuator from the 8602/3 series. The coding option of the key switches and rotary switches is innovative and one-of-a-kind. Integrated coding allows you to adjust the "latching/spring return" and/or "key not removable" functions at any time without additional accessories. A versatile set of accessories consisting of label holders and locking devices is available.

	IECEX / ATEX					
Zone	0	1	2	20	21	22
Installation in		•	•		•	•

	NEC® 500 CE Code Appendix J					
	Class I		Class II		Class III	
Division	1	2	1	2	1	2
Installation in		•		•		

	CE Code Section 18					
	NEC® 505			NEC® 506		
	Class I					
Zone	0	1	2	20	21	22
Installation in		•	•		•	•

Selection Table						
Product Description Assembly Description note		Illuminated pushbutton Spring return 735 Pressure plate for 3 contact elements enclosed.				
Figure	Description	Silicone-free	Product Type		Art. No.	Weight
	Ø 39 mm	Yes	8602C3-735-B-C06		244654	35 g
	Black Front panel mounting All colours	No	8602C3-735-S-C06		244655	35 g
Product Description Assembly		Indicator lamp bezel 054				
Figure	Description	Silicone-free	Product Type		Art. No.	Weight
	Ø 39 mm	Yes	8602C3-054-B-C06		223122	24 g
	Black Front panel mounting All colours	No	8602C3-054-S-C06		223123	24 g


Selection Table

Product Description: Key-operated switch actuator
 Assembly: 008
 Description note: Conversion to the "spring return" or "key not removable" function is possible with the installed coding elements. Additional closures on request. Two keys enclosed. Pressure plates for 1-2 and 3-4 contact elements enclosed.

Figure	Description	Silicone-free	Product Type	Art. No.	Weight
	Ø 39 mm Black Closing: MS1 Number of switching positions: 2 Front panel mounting Switching function: Latching / Latching	Yes	8602C3-008-B-M01-02-MS01	244573	50 g
	Ø 39 mm Black Closing: MS2 Number of switching positions: 2 Front panel mounting Switching function: Latching / Latching	Yes	8602C3-008-B-M01-02-MS02	272935	60 g
	Ø 39 mm Black Closing: MS3 Number of switching positions: 2 Front panel mounting Switching function: Latching / Latching	Yes	8602C3-008-B-M01-02-MS03	274089	50 g
	Ø 39 mm Black Closing: MS4 Number of switching positions: 2 Front panel mounting Switching function: Latching / Latching	Yes	8602C3-008-B-M01-02-MS04	272936	60 g
	Ø 39 mm Black Closing: MS1 Number of switching positions: 2 Front panel mounting Switching function: Latching / Latching	No	8602C3-008-S-M01-02-MS01	244574	50 g
	Ø 39 mm Black Closing: MS2 Number of switching positions: 2 Front panel mounting Switching function: Latching / Latching	No	8602C3-008-S-M01-02-MS02	270418	50 g
	Ø 39 mm Black Closing: MS3 Number of switching positions: 2 Front panel mounting Switching function: Latching / Latching	No	8602C3-008-S-M01-02-MS03	270419	50 g
	Ø 39 mm Black Closing: MS4 Number of switching positions: 2 Front panel mounting Switching function: Latching / Latching	No	8602C3-008-S-M01-02-MS04	270420	50 g


Selection Table

Product Description Assembly Description note	Key-operated switch actuator 008 Conversion to the "spring return" or "key not removable" function is possible with the installed coding elements. Additional closures on request. Two keys enclosed. Pressure plates for 1-2 and 3-4 contact elements enclosed.
---	--






Figure	Description	Silicone-free	Product Type	Art. No.	Weight
	Ø 39 mm Black Closing: MS1 Number of switching positions: 3 Front panel mounting Switching function: Latching / Latching / Latching	Yes	8602C3-008-B-M03-03-MS01	244632	50 g
	Ø 39 mm Black Closing: MS2 Number of switching positions: 3 Front panel mounting Switching function: Latching / Latching / Latching	Yes	8602C3-008-B-M03-03-MS02	274090	50 g
	Ø 39 mm Black Closing: MS3 Number of switching positions: 3 Front panel mounting Switching function: Latching / Latching / Latching	Yes	8602C3-008-B-M03-03-MS03	274091	50 g
	Ø 39 mm Black Closing: MS4 Number of switching positions: 3 Front panel mounting Switching function: Latching / Latching / Latching	Yes	8602C3-008-B-M03-03-MS04	274092	50 g
	Ø 39 mm Black Closing: MS1 Number of switching positions: 3 Front panel mounting Switching function: Latching / Latching / Latching	No	8602C3-008-S-M03-03-MS01	244633	50 g
	Ø 39 mm Black Closing: MS2 Number of switching positions: 3 Front panel mounting Switching function: Latching / Latching / Latching	No	8602C3-008-S-M03-03-MS02	270421	50 g
	Ø 39 mm Black Closing: MS3 Number of switching positions: 3 Front panel mounting Switching function: Latching / Latching / Latching	No	8602C3-008-S-M03-03-MS03	270422	50 g
	Ø 39 mm Black Closing: MS4 Number of switching positions: 3 Front panel mounting Switching function: Latching / Latching / Latching	No	8602C3-008-S-M03-03-MS04	270423	50 g

Selection Table

Product Description		mushr. stay button w. key lock EMERGENCY STOP			
Assembly		009			
Description note		Two keys enclosed.			
Figure	Description	Silicone-free	Product Type	Art. No.	Weight
	Ø 39 mm Yellow/red Designation plate: With yellow backing plate Closing: MS1 Front panel mounting	Yes	8602C3-009-B .. MS1	223693	75 g
	Ø 39 mm Yellow/red Designation plate: With yellow backing plate Closing: MS2 Front panel mounting	Yes	8602C3-009-B .. MS2	274099	750 g
	Ø 39 mm Yellow/red Designation plate: With yellow backing plate Closing: MS3 Front panel mounting	Yes	8602C3-009-B .. MS3	274100	750 g
	Ø 39 mm Yellow/red Designation plate: With yellow backing plate Closing: MS4 Front panel mounting	Yes	8602C3-009-B .. MS4	274101	750 g
	Ø 39 mm Yellow/red Designation plate: With yellow backing plate Closing: MS1 Front panel mounting	No	8602C3-009-S .. MS1	223694	75 g
	Ø 39 mm Yellow/red Designation plate: With yellow backing plate Closing: MS2 Front panel mounting	No	8602C3-009-S .. MS2	270415	75 g
	Ø 39 mm Yellow/red Designation plate: With yellow backing plate Closing: MS3 Front panel mounting	No	8602C3-009-S .. MS3	270416	75 g
	Ø 39 mm Yellow/red Designation plate: With yellow backing plate Closing: MS4 Front panel mounting	No	8602C3-009-S .. MS4	270417	75 g

Selection Table					
Product Description Assembly		mushr. stay button w. key lock RD-BK 006			
Description note		Two keys enclosed.			
Figure	Description	Silicone-free	Product Type	Art. No.	Weight
	Ø 39 mm Red/black Closing: MS1 Front panel mounting	Yes	8602C3-006-B .. MS1	223695	75 g
	Ø 39 mm Red/black Closing: MS2 Front panel mounting	Yes	8602C3-006-B .. MS2	270409	75 g
	Ø 39 mm Red/black Closing: MS3 Front panel mounting	Yes	8602C3-006-B .. MS3	270410	75 g
	Ø 39 mm Red/black Closing: MS4 Front panel mounting	Yes	8602C3-006-B .. MS4	270411	75 g
	Ø 39 mm Red/black Closing: MS1 Front panel mounting	No	8602C3-006-S .. MS1	223696	75 g
	Ø 39 mm Red/black Closing: MS2 Front panel mounting	No	8602C3-006-S .. MS2	270412	75 g
	Ø 39 mm Red/black Closing: MS3 Front panel mounting	No	8602C3-006-S .. MS3	270413	75 g
	Ø 39 mm Red/black Closing: MS4 Front panel mounting	No	8602C3-006-S .. MS4	270414	75 g
Product Description Assembly		Mushroom pushbutton 003			
Figure	Description	Silicone-free	Product Type	Art. No.	Weight
	Ø 39 mm Black	Yes	8602C3-003-B	244563	50 g
	Designation plate: Black, blank disc without text Front panel mounting	No	8602C3-003-S	244564	50 g
Product Description Assembly		Mushroom pushbutton 004			
Figure	Description	Silicone-free	Product Type	Art. No.	Weight
	Ø 39 mm Red/black	Yes	8602C3-004-B	244565	50 g
	Designation plate: Red, blank disc without text Front panel mounting	No	8602C3-004-S	244566	50 g
Product Description Assembly		Mushroom pushbutton 55 mm 014			
Figure	Description	Silicone-free	Product Type	Art. No.	Weight
	Ø 55 mm Black/red	Yes	8602C3-014-B	244634	55 g
	Designation plate: Red, blank disc without text Front panel mounting	No	8602C3-014-S	244635	55 g


Selection Table					
Product Description Assembly		Mushroom pushbutton 55 mm 703			
Figure	Description	Silicone-free	Product Type	Art. No.	Weight
	Ø 55 mm Black Designation plate: Black, blank disc without text Front panel mounting	Yes	8602C3-703-B	244642	55 g
		No	8602C3-703-S	244643	55 g
Product Description Assembly		Mushroom stay-put button 012			
Figure	Description	Silicone-free	Product Type	Art. No.	Weight
	Ø 39 mm Black Front panel mounting	Yes	8602C3-012-B	223699	50 g
		No	8602C3-012-S	223700	50 g
Product Description Assembly		Mushroom stay-put button 55 mm EMERGENCY STOP 015			
Figure	Description	Silicone-free	Product Type	Art. No.	Weight
	Ø 55 mm Yellow/red Designation plate: With yellow backing plate Front panel mounting	Yes	8602C3-015-B	244636	55 g
		No	8602C3-015-S	244637	55 g
Product Description Assembly		Mushroom stay-put button EMERGENCY STOP 010			
Figure	Description	Silicone-free	Product Type	Art. No.	Weight
	Ø 39 mm Yellow/red Designation plate: With yellow backing plate Front panel mounting	No	8602C3-010-S	223698	50 g
		Yes	8602C3-010-B	223697	50 g
Product Description Assembly		Pushbutton 001			
Figure	Description	Silicone-free	Product Type	Art. No.	Weight
	Ø 39 mm Black Designation plate: Black, blank disc without text Front panel mounting	Yes	8602C3-001-B	223691	34 g
		No	8602C3-001-S	223692	34 g
Product Description Assembly		Rotary actuator (potentiom.) 092 Labels provided separately.			
Figure	Description	Silicone-free	Product Type	Art. No.	Weight
	Ø 39 mm Black Designation plate: 0 to 6, 0 to 10, and 0 to 100 Front panel mounting	Yes	8602C3-092-B-P04	244640	35 g
		No	8602C3-092-S-P04	244641	35 g
Product Description Assembly		Rotary actuator, small lockable 734 0/OFF-I/ON label provided separately. Cylinder lock not enclosed. Other labels must be ordered separately.			
Figure	Description	Silicone-free	Product Type	Art. No.	Weight
	Ø 39 mm Black Designation plate: 0/OFF - I/ON Lockable in: One pos. with one lock Front panel mounting	Yes	8602C3-734-B-45H-E08	227391	40 g

Selection Table					
Product Description Assembly Description note		Rotary actuator, small not lockable 726 Conversion to the "spring return" function is possible with the installed coding elements. Standard label enclosed separately. Different labels must be ordered in addition. Pressure plates for 1-2 and 3-4 contact elements enclosed.			
Figure	Description	Silicone-free	Product Type	Art. No.	Weight
	Ø 39 mm Black Designation plate: 0/OFF - I/ON Number of switching positions: 2 Lockable in: Not padlockable Front panel mounting Switching function: Latching / Latching	Yes	8602C3-726-B-M01-02-E08	244646	40 g
Product Description Assembly Description note		Rotary actuator, small Not padlockable 726 Conversion to the "spring return" function is possible with the installed coding elements. Standard label enclosed separately. Different labels must be ordered in addition. Pressure plates for 1-2 and 3-4 contact elements enclosed.			
Figure	Description	Silicone-free	Product Type	Art. No.	Weight
	Ø 39 mm Black Designation plate: I - 0 - II Number of switching positions: 3 Lockable in: Not padlockable Front panel mounting Switching function: Latching / Latching / Latching	Yes	8602C3-726-B-M03-03-E03	244648	40 g
Product Description Assembly Description note		Rotary actuator, small Not padlockable 726 With the installed coding elements, conversion to the "spring return" function is possible. Standard label enclosed separately. Different labels must be ordered separately. Pressure plates for 1-2 and 3-4 contact elements enclosed.			
Figure	Description	Silicone-free	Product Type	Art. No.	Weight
	Ø 39 mm Black Designation plate: 0/OFF - I/ON Number of switching positions: 2 Lockable in: Not padlockable Front panel mounting Switching function: Latching / Latching	No	8602C3-726-S-M01-02-E08	244647	40 g
	Ø 39 mm Black Designation plate: I - 0 - II Number of switching positions: 3 Lockable in: Not padlockable Front panel mounting Switching function: Latching / Latching / Latching	No	8602C3-726-S-M03-03-E03	244649	40 g
Product Description Assembly Description note		Rotary actuator, small Not padlockable 732 Label 0/OFF-I/ON enclosed separately. Different labels must be ordered separately.			
Figure	Description	Silicone-free	Product Type	Art. No.	Weight
	Ø 39 mm Black Designation plate: 0/OFF - I/ON Lockable in: Not padlockable Front panel mounting	Yes	8602C3-732-B-90G-E08	264001	40 g
		No	8602C3-732-S-90G-E08	264002	40 g

Selection Table

Product Description Assembly Description note	Rotary actuator, small Padlockable 727 Conversion to the "spring return" function is possible with the installed coding elements. Standard label enclosed separately. Different labels must be ordered in addition. Cylinder lock not enclosed. Pressure plates for 1–2 and 3–4 contact elements enclosed.				
Figure	Description	Silicone-free	Product Type	Art. No.	Weight
	Ø 39 mm Black	Yes	8602C3-727-B-M01-02-E08	244650	40 g
	Designation plate: 0/OFF – I/ON Number of switching positions: 2 Lockable in: One pos. with one lock Front panel mounting Switching function: Latching / Latching	No	8602C3-727-S-M01-02-E08	244651	40 g
	Ø 39 mm Black	Yes	8602C3-727-B-M03-03-E03	244652	40 g
	Designation plate: I – 0 – II Number of switching positions: 3 Lockable in: One pos. with one lock Front panel mounting Switching function: Latching / Latching / Latching	No	8602C3-727-S-M03-03-E03	244653	40 g
Product Description Assembly Description note	Rotary actuator, small Padlockable 734 0/OFF-I/ON label provided separately. Cylinder lock not enclosed. Other labels must be ordered separately.				
Figure	Description	Silicone-free	Product Type	Art. No.	Weight
	Ø 39 mm Black	No	8602C3-734-S-45H-E08	227392	40 g
	Designation plate: 0/OFF – I/ON Lockable in: One pos. with one lock Front panel mounting				
	Ø 39 mm Black	Yes	8602C3-734-B-90H-E08	227359	40 g
	Designation plate: 0/OFF – I/ON Lockable in: One pos. with one lock Front panel mounting	No	8602C3-734-S-90H-E08	227360	40 g
Product Description Assembly Description note	Rotary handle, maxi 736 Lockable option (max. 3 times) can be determined using the enclosed closing parts. Lockable handle position: Not defined. In the unmounted assemblies, the standard label is 0/OFF-I/ON and the long coupling part is enclosed. Other labels must be ordered separately.				
Figure	Description	Silicone-free	Product Type	Art. No.	Weight
	Ø 64 mm Handle colour: Black	No	8602C3-736-S-XXX-E08	318418	71 g
	Protective collar colour: Black Front panel mounting	Yes	8602C3-736-B-XXX-E08	318417	71 g
Product Description Assembly Description note	Rotary handle, maxi 737 Lockable option (max. 3 times) can be determined using the enclosed closing parts. Lockable handle position: Not defined. In the unmounted assemblies, the standard label is 0/OFF-I/ON and the long coupling part is enclosed. Other labels must be ordered separately.				
Figure	Description	Silicone-free	Product Type	Art. No.	Weight
	Ø 64 mm Handle colour: Red	No	8602C3-737-S-XXX-E08	318420	71 g
	Protective collar colour: Yellow Front panel mounting	Yes	8602C3-737-B-XXX-E08	318419	71 g

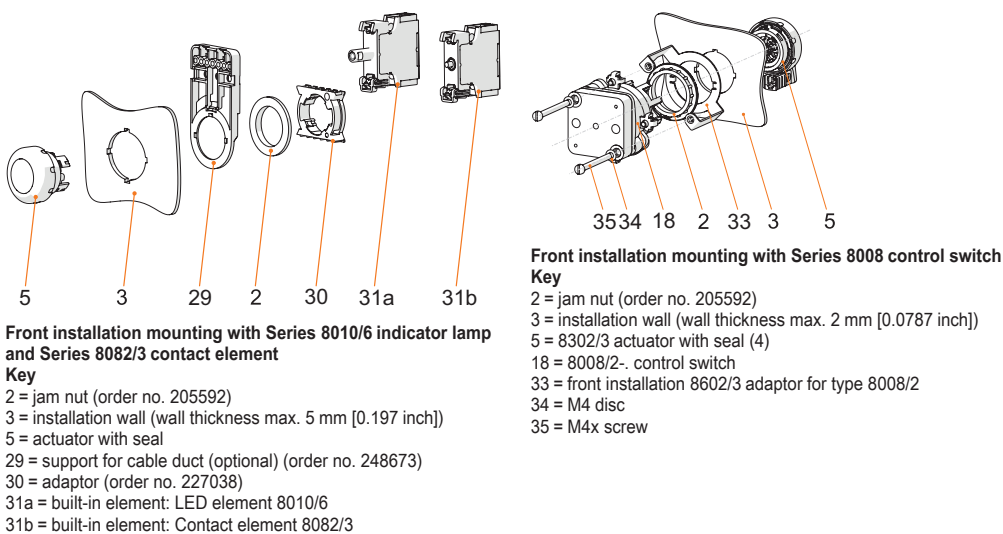
Selection Table

Product Description Assembly Description note		Twin pushbutton 023 Select other labels from the accessories.			
Figure	Description	Silicone-free	Product Type	Art. No.	Weight
	Black Front panel mounting	Yes	8602C3-023-B	244638	45 g
		No	8602C3-023-S	244639	45 g

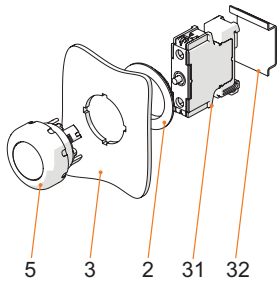
Technical Data

Variant	Actuators with standard seal	Actuators with silicone seal
Explosion Protection		
IECEX gas explosion protection	Ex eb IIC Gb	Ex eb IIC Gb
IECEX dust explosion protection	Ex tb IIIC Db	Ex tb IIIC Db
ATEX gas explosion protection	⊕ II 2 G Ex eb IIC Gb	⊕ II 2 G Ex eb IIC Gb
ATEX dust explosion protection	⊕ II 2 D Ex tb IIIC Db	⊕ II 2 D Ex tb IIIC Db
Certificates	ATEX (PTB), Brazil (ULB), Canada / USA (UL), Canada (UL), IECEX (PTB), India (PESO), Korea (KGS)	ATEX (PTB), Brazil (ULB), Canada / USA (UL), Canada (UL), IECEX (PTB), India (PESO), Korea (KGS)
Ambient Conditions		
Ambient temperature	-20 °C ... 60 °C	-60 °C ... 70 °C
Ambient temperature	-4 °F ... +140 °F	-76 °F ... +158 °F
Storage temperature	-13 °F ... +140 °F	-76 °F ... +158 °F
Storage temperature	-25 °C ... 60 °C	-60 °C ... 70 °C
Degree of pollution	3	3
Notes	Actuators with silicone seals have coloured labels on the bottom.	
Mechanical Data		
Degree of protection (IP)	IP66	IP66
Note on degree of protection	According to IEC/EN 60529	According to IEC/EN 60529
Enclosure material	Polyamide	Polyamide
Service life, min.	10 ⁸ actuations	10 ⁸ actuations
Mounting / Installation		
Tightening torque	3 Nm	3 Nm

Technical Drawings – Subject to Alterations



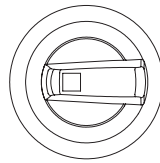
E4



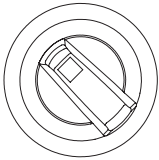
Mounting rail mounting

Key

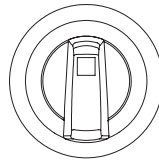
- 2 = jam nut (order no. 205592)
- 3 = installation wall (wall thickness max. 5 mm [0.197 inch])
- 5 = actuator with seal
- 31 = built-in element
- 32 = TS35 mounting rail



Explanation of position display:
Standard switch, lockable in 0/OFF
Position of handle 90°



Explanation of position display:
Standard switch, lockable in 0/OFF
Position of handle 45°



Explanation of position display:
Safety switch, lockable in I/ON
Position of handle 0°

Accessories

Figure	Description	Art. No.	Weight
Spare key			
	Closing MS1	107109	8 g
	Closing MS2	272645	8 g
	Closing MS3	272646	8 g
	Closing MS4	272647	8 g
Cylinder lock			
	for closing (bracket Ø 3)	107115	15 g

Spare Parts

Figure	Description	Art. No.	Weight
Locking devices			
	8602C3-752 for actuated mushroom stay-put button BG010, BG012	244869	90 g
	8602C3-753 for not actuated pushbutton BG001	244870	90 g
	8602C3-754 for actuated pushbutton BG001	244871	90 g

Spare Parts			
Figure	Description	Art. No.	Weight
Locking devices			
	8602C3-755 for not actuated pushbutton BG001	244872	90 g
	8602C3-756 for actuated mushroom stay-put button BG010, BG012	244873	90 g
	8602C3-758 for not actuated mushroom stay-put button BG010, BG012	244874	90 g
Insert discs for label holder			
	One-line Plain Material: PVC Colour: White Self-adhesive	238271	10 g
	Two-line Plain Material: PVC Colour: White Self-adhesive	238272	10 g
	Three-line Plain Material: PVC Colour: White Self-adhesive	238273	10 g
Label, yellow, general			
	for Ø 39 actuator (EM-STOP)	223571	1 g
	for special, Ø 55 actuator (EM-STOP), e.g. series 8040	223573	1 g
Labels for small BG 732, BG 734 rotary actuator			
	Dia. 30.8 0/OFF I/ON	227489	2 g
	Dia. 30.8 0 I	227490	2 g
	Dia. 30.8 I 0 II	227491	2 g

Spare Parts			
Figure	Description	Art. No.	Weight
Labels for small BG 732, BG 734 rotary actuator			
	Dia. 30.8 0 I	227492	2 g
	Dia. 30.8 MANUAL 0 AUTO	227494	2 g
	Dia. 30.8 OFF ON	269983	2 g
	Dia. 30.8 AUTO 0 MANUAL ON	269984	2 g
	Dia. 30.8 AUTO 0 MANUAL	269985	2 g
Labels for small BG 732, BG 734 rotary actuator and BG 726, BG 727 axial rotary actuator			
	Dia. 30.8 Plain	227495	2 g
Labels for axial BG 726, BG 727 rotary actuator			
	Dia. 30.8 0/OFF I/ON	240472	2 g
	Dia. 30.8 I 0 II	240474	2 g
	Dia. 30.8 0 I	240475	2 g
	Dia. 30.8 MANUAL 0 AUTO	240477	2 g
Labels for BG 092 rotary actuator			
	Dia. 30.8 0 to 6	227496	2 g


Spare Parts				
Figure	Description	Art. No.	Weight	
Labels for BG 092 rotary actuator				
	Dia. 30.8 0 to 10	227497	2 g	
	Dia. 30.8 0 to 100	227498	2 g	
Labels for rotary actuator Maxi BG736, BG737				
	Dia. 58.5 0/OFF I/ON	274882	2 g	
	Dia. 58.5 0/OFF • I/ON	318459	1 g	
	Dia. 58.5 0 BETRIEB I	263982	2 g	
	Dia. 58.5 0 EIN	270806	2 g	
	Dia. 58.5 0 I	318506	1 g	
	Dia. 58.5 0 I II	318507	1 g	
	Dia. 58.5 AUS AUTO EIN	270807	2 g	
	Dia. 58.5 AUTO 0 BETRIEB I	270808	2 g	
	Dia. 58.5 HAND 0 AUTO	318460	2 g	







Spare Parts

Figure	Description	Art. No.	Weight
Labels for rotary actuator Maxi BG736, BG737			
	Dia. 58.5 I O I O	318501	2 g
	Dia. 58.5 I O II	318502	2 g
	Dia. 58.5 I II	318503	1 g
	Dia. 58.5 ••••••	318504	2 g
Designation plate for pushbutton and selector switch			
	Black Text: O	227741	1 g
	Black Text: I	227747	1 g
	Black Text: II	227754	1 g
	Black Symbol: Straight arrow, 45°	227778	1 g
	Black Text: ON	227808	1 g
	Black Text: OFF	227811	1 g
	Blue Text: RESET	227926	1 g

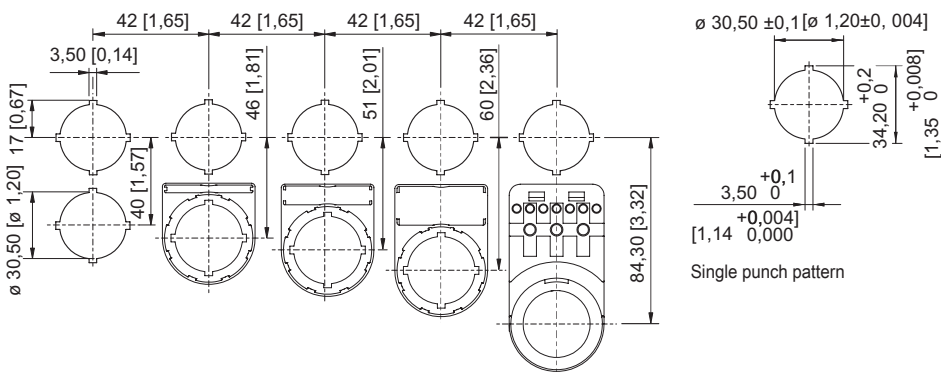
Spare Parts			
Figure	Description	Art. No.	Weight
Designation plate for pushbutton and selector switch			
	Green Text: I	227750	1 g
	Green Text: II	227753	1 g
Designation plates for pushbutton and selector switch			
	Green Text: START	227801	1 g
Designation plate for pushbutton and selector switch			
	Red Text: STOP	227804	1 g
	Red Text: OFF	227810	1 g
		227814	1 g
	Red Text: O	227740	1 g
	White Text: I	227751	1 g
	Black Blank disc without text	215425	1 g
	Blue Blank disc without text	215427	1 g
	Green Blank disc without text	215424	1 g

Spare Parts				
Figure	Description	Art. No.	Weight	
Designation plate for pushbutton and selector switch				
	Red Blank disc without text	215423	1 g	
	Red Symbol: Right arrow	272628	1 g	
	White Blank disc without text	215426	1 g	
	Yellow Blank disc without text	215428	1 g	
Closing part				
	8602C3-733-B for closing unused holes in cover, dia. 30.5 mm, NBR	244306	25 g	
	8602C3-733-S for closing unused holes in cover, dia. 30.5 mm, silicone	244307	25 g	
Colour filter for BG 735				
	for illuminated pushbutton, all colours packaged	248684	1 g	
Caps for BG054				
	for indicator lamp, all colours packaged	248685	3 g	
Designation plates set for ASSY001, ASSY023				
	The button label set contains nine labels 6x blank disc without text in red, green, white, blue, yellow and black 1x red label, text: STOP 1x green label, text: START 1x blue label, text: RESET	321791	4 g	
Label set for ASSY732				
	The label set contains three dia. 30.8 mm labels 1x label with text HAND-0-AUTO 1x label with text LOCAL-REMOTE 1x label blank	321792	4 g	
Protective collar				
	8602C3-751 plastic/red for mushroom stay-put button with key lock/mushroom stay-put button dia. 39 BG006, BG009, BG010, BG012	257707	20 g	

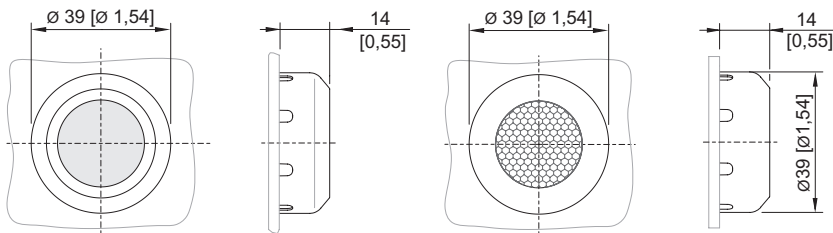
Spare Parts			
Figure	Description	Art. No.	Weight
Protective collar			
	8602C3-751 plastic/yellow for mushroom stay-put button with key lock/mushroom stay-put button dia. 39 BG006, BG009, BG010, BG012	257708	20 g
Label holder			
	Size 1, without insert disc, 1-line label for actuators Ø 39	223566	2 g
	Size 2, without insert disc, 1- or 2-line label for actuators Ø 39	223567	2 g
	Size 3, without insert disc, 1-, 2- or 3-line label for actuators Ø 39	223568	2 g
Special key			
	for tightening plastic locking nut	169101	30 g
Pressure plates			
	Dia. 37 mm Three contact elements	215436	2 g
	Dia. 48.5 mm Four contact elements	215437	2 g
	For twin pushbutton Four contact elements	221706	1 g
	For key-operated switch and axial rotary actuator 1 to 2 contact elements	253627	1 g
	For key-operated switch and axial rotary actuator 3 to 4 contact elements	221707	1 g
Covering			
	for NEC indicator lamp BG 054 and NEC potentiometer BG 092	252023	38 g

Spare Parts			
Figure	Description	Art. No.	Weight
Covering			
	for NEC front installation indicating lamp BG 054	253260	30 g
Holder for front installation			
	8602/3 holder for cable duct	248673	50 g
Adaptor for front installation			
	8602/3 Front installation for indicator lamp series 8010/6 and contact element series 8082/3	227038	8 g
Adaptor with fastening material for front installation			
	8602/3 front installation for control switch of Series 8008/2-0 max. wall thickness 2 mm	297995	22 g
	8602/3 front installation for control switch of Series 8008/2-6 max. wall thickness 2 mm	297996	23 g
	8602/3 front installation for control switch of Series 8008/2-1 max. wall thickness 2 mm	297997	24 g
LED indicator lamp for front installation			
	for Ex e front installation	240900	30 g
	for Ex i front installation	240901	30 g
	for SA front installation	274899	34 g
8082/3 Contact element			
	For NC front installation	240898	25 g
	for NO contact front installation	240899	25 g

Dimensional Drawings (All Dimensions in mm [inches]) – Subject to Alterations

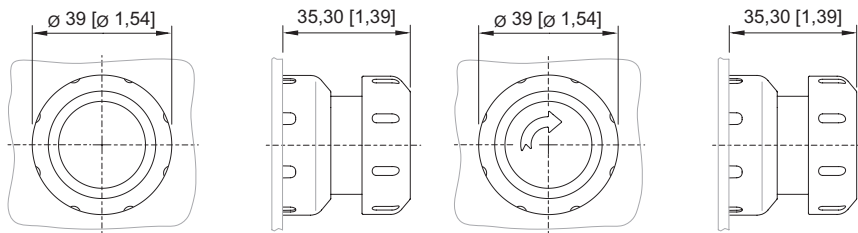


Cut-out with/without additional designation plate



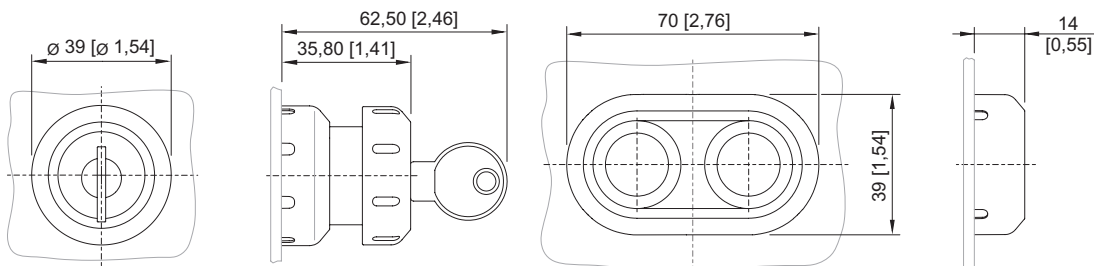
8602/3-001 pushbutton
Actuator with axial actuation

8602/3-735 illuminated pushbutton
Actuator with axial actuation



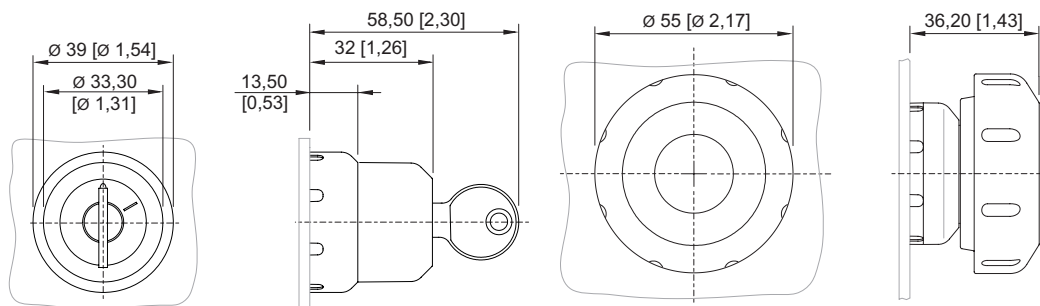
8602/3-003 black mushroom pushbutton
8602/3-004 red/black mushroom pushbutton
Actuator with axial actuation

8602/3-010 red/yellow mushroom stay-put button
8602/3-012 black/black mushroom stay-put button
Actuator with axial actuation



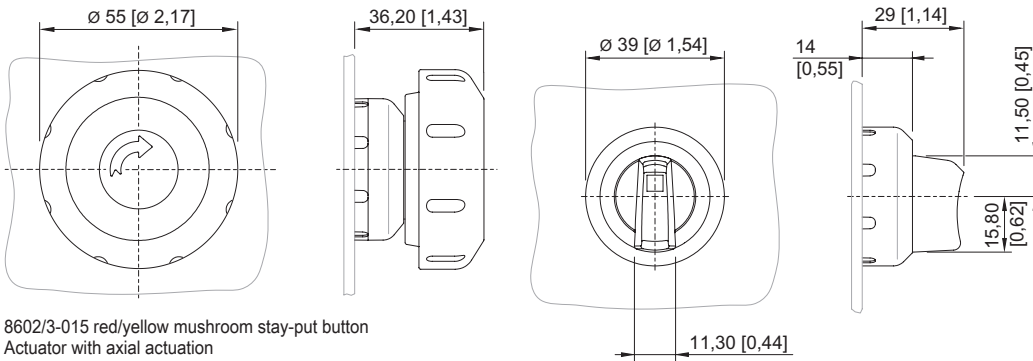
8602/3-006 red/black mushroom stay-put button with
key lock
8602/3-009 red/yellow mushroom stay-put button with
key lock
Actuator with axial actuation

8602/3-023 twin pushbutton
Actuator with axial actuation



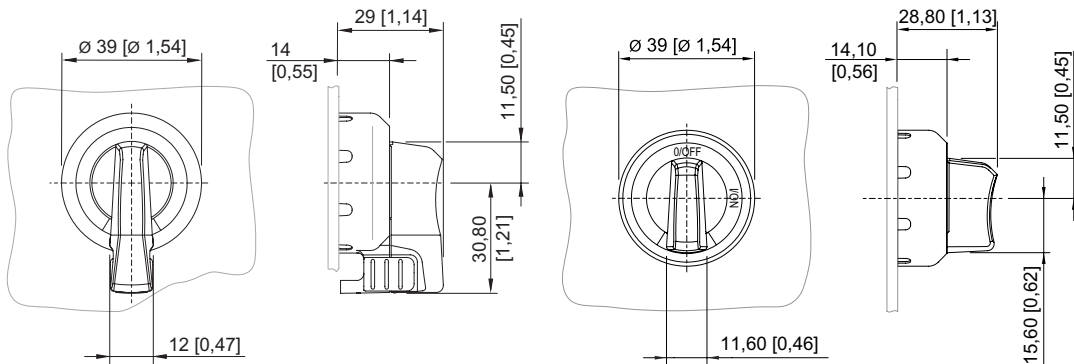
8602/3-008 MS key-operated switch
Actuator with axial actuation

8602/3-014 red/black mushroom pushbutton
8602/3-703 black/black mushroom pushbutton
Actuator with axial actuation



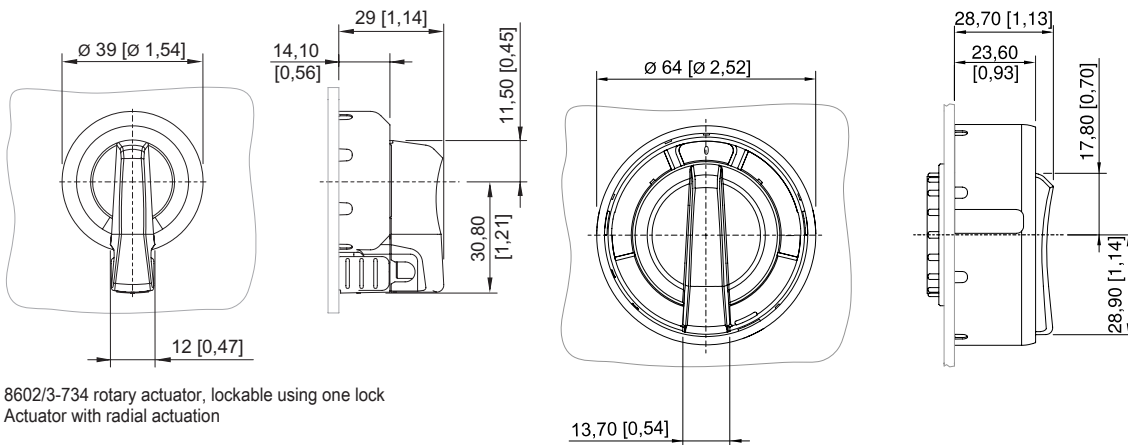
8602/3-015 red/yellow mushroom stay-put button
Actuator with axial actuation

8602/3-726 axial rotary actuator, not lockable
Actuator with axial actuation



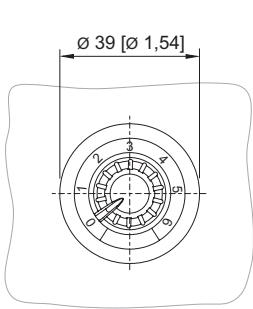
8602/3-727 axial rotary actuator, lockable
Actuator with axial actuation

8602/3-732 rotary actuator, not lockable
Actuator with radial actuation

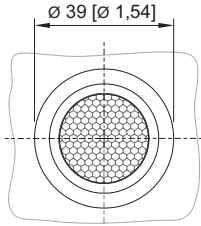
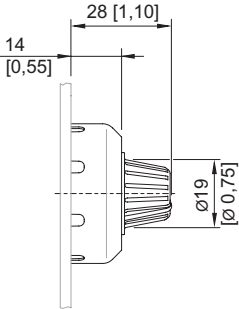


8602/3-734 rotary actuator, lockable using one lock
Actuator with radial actuation

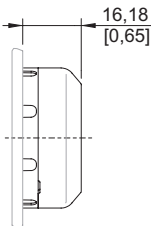
8602/3-736 maxi rotary actuator, black handle, black protective collar
8602/3-737 maxi rotary actuator, red handle, yellow protective collar
Actuator with radial actuation



8602/3-092 potentiometer bezel
Actuator with radial actuation



8602/3-054 indicator lamp bezel
Actuator without actuation



Use of actuators

			Potential built-in elements mounting rail mounting						Potential built-in elements front installation		
			8082			8010	8208/24	8008	8006	8082/8010 adaptor 227038	8008 with adaptor 260081
			1/2 elements	3 elements	4 elements					max. 3 elements	
BG: 8602C3- xxx	Actuator	Direction of actuation	Standard	Pressure plate SAP no.							
001	Pushbutton	axial	x	215436	215437	--	x	--	--	x	--
003	Mushroom pushbutton black	axial	x	215436	215437	--	x	--	--	x	--
004	Mushroom pushbutton red	axial	x	215436	215437	--	x	--	--	x	--
006	Mushroom stay-put button with key lock	axial	x	215436	215437	--	x	--	--	x	--
008	Key-operated button	axial	2 x 253627 ¹⁾	--	2 x 221707 ¹⁾	--	--	--	--	2 x 253627 1 left/ 1 right	--
009	Mushroom stay-put button with key lock EM-STOP	axial	x	215436	215437	--	x	--	--	x	--
010	Mushroom stay-put button EM-STOP	axial	x	215436	215437	--	x	--	--	x	--
012	Mushroom stay-put button black	axial	x	215436	215437	--	x	--	--	x	--
014	Mushroom pushbutton red, Ø 55	axial	x	215436	215437	--	x	--	--	x	--
015	Mushroom stay-put button EM-STOP, Ø 55	axial	x	215436	215437	--	x	--	--	x	--
023	Twin pushbutton	axial	x	--	2 x 221706	--	--	--	--	1 left/ 1 right	--
054	Indicator lamp bezel	--	--	--	--	x	--	--	--	--	--
092	Potentiometer actuator	radial	--	--	--	--	x	--	--	--	--
703	Mushroom pushbutton black, Ø 55	axial	x	215436	215437	--	x	--	--	x	--
726	Axial rotary actuator, not lockable	axial	2 x 253627 ¹⁾	--	2 x 221707 ¹⁾	--	--	--	--	2 x 253627 1 left/ 1 right	--
727	Axial rotary actuator, lockable	axial	2 x 253627 ¹⁾	--	2 x 221707 ¹⁾	--	--	--	--	2 x 253627 1 left/ 1 right	--
728	Large rotary actuator, increased height, bk-bk	radial	--	--	--	--	--	x	x	--	x
729	Large rotary actuator, increased height, rd-ye	radial	--	--	--	--	--	x	x	--	x
730	Large rotary actuator, rd-ye	radial	--	--	--	--	--	x	x	--	x
731	Large rotary actuator, bk-bk	radial	--	--	--	--	--	x	x	--	x
732	Small rotary actuator, bk-bk	radial	--	--	--	--	--	x	--	--	x
734	Small rotary actuator, lockable	radial	--	--	--	--	--	x	--	--	x
735	Illuminated pushbutton	axial	x	215436 ¹⁾	--	x	--	--	--	x	--
736	Rotary actuator maxi, bk-bk	radial	--	--	--	--	--	x	x	--	x
737	Rotary actuator maxi, rd-ye	radial	--	--	--	--	--	x	x	--	x

¹⁾enclosed in the packed assembly

Functions

E4

Pushbutton actuator	Spring return function; replaceable designation labels
Mushroom pushbutton actuator	Spring return function; replaceable designation labels
Mushroom stay-put button actuator	Press to lock, turn right to unlock; yellow backing plate enclosed; for use for EM-STOP function
Mushroom stay-put button actuator with key lock	Press to lock; unlock only with key; yellow backing plate enclosed; for use for EM-STOP function
Key-operated button actuator	Switching function with 2 or 3 latching positions; key removable in all positions; "spring return" and/or "key not removable" functions are codeable
Twin pushbutton actuator	Spring return function; 2 push buttons in one actuator; replaceable designation labels
Rotary actuator, axial	Switching function with 2 or 3 latching positions
Closing part	For closing unused holes in cover
Small rotary actuator	Switching function
Rotary actuator Maxi	Switching function
Potentiometer	Infinitely variable
Illuminated pushbutton	Spring return / illumination function; replaceable colour filters
Indicator lamp	Illumination function; replaceable coloured caps