



- Different voltage ranges according to EN 60309
- Large temperature range of use
- High mechanical impact and shock resistance
- Perfect protection against penetration of liquids and dusts
- 3D data for download on the website
- Appropriate Series 8570/22 plug

E3

MY R. STAHL 8570U



R. STAHL Series 8570/21 SolConeX sockets constitute explosion-protected electrical equipment. They are approved for use in hazardous areas that are classified for the division or zone according to NEC 505. The high degree of protection guarantees the highest level of protection against the ingress of dust and/or water in any application position. Self-cleaning lamellar contacts provide optimum contact and the plugs can be inserted and removed in the zero position quickly and easily. The load disconnect switch, with a mechanical locking device and a handle that can be locked in the 0 or I position, is an additional safety feature.

	IECEX / ATEX					
Zone	0	1	2	20	21	22
Installation in		•	•		•	•

	NEC® 500 CE Code Appendix J					
	Class I		Class II		Class III	
Division	1	2	1	2	1	2
Installation in		•	•	•	•	•

	CE Code Section 18					
	NEC® 505			NEC® 506		
	Class I					
Zone	0	1	2	20	21	22
Installation in		•	•		•	•

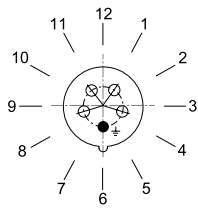
Selection Table									
Product description									
20 A wall-mounting socket									
Figure	Detailed number of poles	Coding (clock hour position)	Rated operational voltage	Colour code	Frequency range	Nominal power	Product Type	Art. No.	Weight
	2-pole, 3 conductors	4	100 ... 130 V AC	Yellow	50 / 60 Hz	1.5 hp	8570/21-304-S-51-0-00-XXX	290313	1.12 kg
		6	200 ... 250 V AC	Blue	50 / 60 Hz	3 hp	8570/21-306-S-51-0-00-XXX	290314	1.12 kg
		7	480 V AC	Red	50 / 60 Hz	5 hp	8570/21-307-S-51-0-00-XXX	290315	1.12 kg
	3-pole, 4 conductors	5	600 V AC	Black	50 / 60 Hz	15 hp	8570/21-405-S-51-0-00-XXX	290310	1.35 kg
		7	480 V AC	Red	50 / 60 Hz	10 hp	8570/21-407-S-51-0-00-XXX	290311	1.35 kg
		9	200 ... 250 V AC	Blue	50 / 60 Hz	5 hp	8570/21-409-S-51-0-00-XXX	290312	1.35 kg
	4-pole, 5 conductors	5	347 to 400/600 V AC	Black	50 / 60 Hz	15 hp	8570/21-505-S-51-0-00-XXX	290307	1.45 kg
		7	277/480 V AC	Red	50 / 60 Hz	10 hp	8570/21-507-S-51-0-00-XXX	290308	1.45 kg
		9	120/208 ... 144/250 V AC	Blue	50 / 60 Hz	5 hp	8570/21-509-S-51-0-00-XXX	290309	1.45 kg

Technical Data	
Explosion Protection	
Area of application	European Union (ATEX) Canada IECEX USA
FMus certificate	FM20US0116X
cFM certificate	FM20CA0056X
Marking FMus	Class I, Div. 2, Groups A,B,C,D; Class II, III, Div. 1, Groups E,F,G, Enclosure Type 3, 4, 4X Class I, Zone 1, AEx db eb IIC T6 ... T5 Gb; Zone 21, AEx tb IIIC T80 °C Db
Marking cFM	Ex db eb IIC Gb; Class I, Div. 2, Groups A,B,C,D; Class II, III, Div. 1, Groups E,F,G, Enclosure Type 3, 4, 4X Ex tb IIIC T80 °C Db
IECEX gas explosion protection	Ex db eb IIC T6 ... T5 Gb
IECEX dust explosion protection	Ex tb IIIC T73 °C Db
ATEX gas explosion protection	⊕ II 2 G Ex db eb IIC T6 ... T5 Gb
ATEX dust explosion protection	⊕ II 2 D Ex tb IIIC T73 °C Db
Certificates	ATEX (PTB), Brazil (ULB), Canada (FM), China (CQST), IECEX (PTB), Korea (KTL), Taiwan (ITRI), USA (FM)
Ship approval	DNV
Electrical Data	
Rated operational current	20 A
Device Specific Data	
Back-up fuse with thermal protection	35 A gG
Back-up fuse without thermal protection	20 A gG
Ambient Conditions	
Ambient temperature	-58 °F to +149 °F
Ambient temperature	-50 °C to +65 °C
Notes	For further information, see the operating instructions.
Mechanical Data	
Enclosure type (NEMA250)	3, 4, 4X
IP degree of protection (IEC 60529)	IP66
IP degree of protection (IEC 60079)	IP64
Enclosure material	Polyamide, Glass fibre reinforced
Silicone-free	No
Connection cross-section AWG single stranded	1 x AWG 16 ... 2 x AWG 10
Solid connection cross-section	1 x 1.5 mm ² ... 2 x 6 mm ²
Finely stranded connection cross-section AWG	1 x AWG 16 ... 2 x AWG 12
Finely stranded connection cross-section	1 x 1.5 mm ² ... 2 x 4 mm ²
Impact strength (IEC 60079)	7 J
Impact strength (IEC 62262)	IK10
Lockable in	in 0- and I-position
Interlock	Prevents the plug from being pulled under load
Components	
Cable entry note	Entry 1: Bottom left Entry 2: Bottom right
Entry 1 model	can be ordered as an accessory
Entry 1	NPT 3/4"
Metal entry possible 1	Yes
Entry 2 model	CMP-767D M25
Entry 2 type	N-pl. br. stopping plug

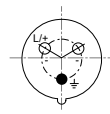
Technical Data	
Components	
Entry 2	M25 x 1.5
Metal entry possible 2	No
Notes	Metal insert: Contains a brass plate with threaded holes Cable gland position: Bottom (standard); optionally also on the top or side

Arrangement of earth contact sleeves

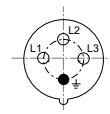
Position of clock hour position
Example: 6 h position



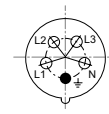
Arrangement of socket contacts and terminal markings



2 P + PE



3 P + PE



3 P + N + PE

Arrangement of the socket contacts and terminal markings in the 6 h position
(view from the front side of the sockets to the socket contacts)

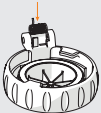
Accessories

Figure	Description	Art. No.	Weight
Auxiliary contact optional, pluggable by the user, easy to retrofit			
	1 NC Max. 500 V AC, max. 110 V DC Max. 6 A 1 x AWG 20 to 2 x AWG 14, 1 x 0.5 to 2 x 2.5 mm ² , solid/finely stranded	150688	20 g
	1 NO Max. 500 V AC, max. 110 V DC Max. 6 A 1 x AWG 20 to 2 x AWG 14, 1 x 0.5 to 2 x 2.5 mm ² , solid/finely stranded	150690	200 g
	1 NO, gold-plated contact Max. 500 V AC, max. 110 V DC Max. 6 A 1 x AWG 20 to 2 x AWG 14, 1 x 0.5 to 2 x 2.5 mm ² , solid/finely stranded	150692	1 g
Dust cover for sockets, series 8570			
	Retrofittable dust protection for 3-pole sockets	253118	6 g
Dust cover for sockets, Series 8570			
	Retrofittable dust protection for 4-pole sockets	255003	8 g
Dust cover for sockets, series 8570			
	Retrofittable dust protection for 5-pole sockets	255004	8 g

Accessories

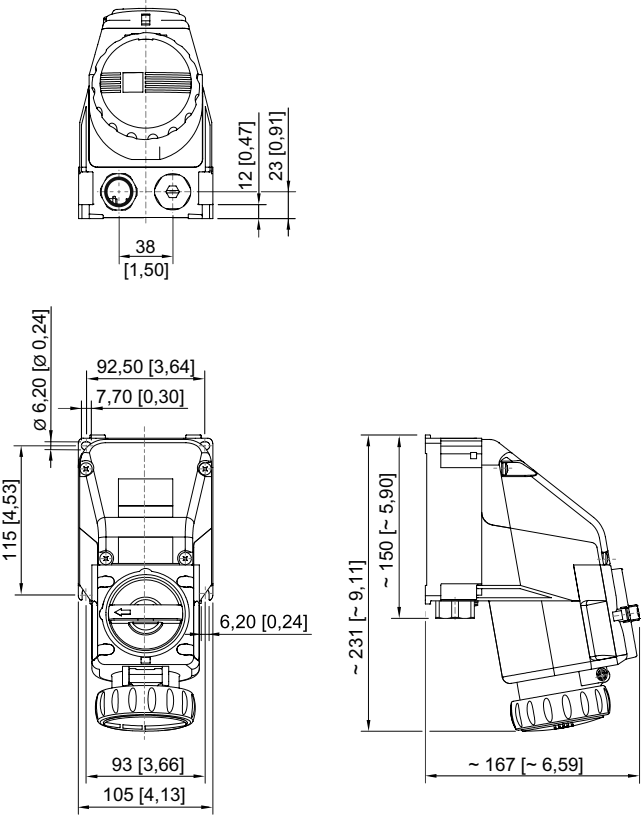
Figure	Description	Art. No.	Weight
Plug			
	8570/22-304-S-XX-X-XX-XXX plug, 2-pole, 3-wire, 100 to 130 V AC, 50/60 Hz, 20 A	291381	331 g
	8570/22-306-S-XX-X-XX-XXX plug, 2-pole, 3-wire, 200 to 250 V AC, 50/60 Hz, 20 A	291382	331 g
	8570/22-307-S-XX-X-XX-XXX plug, 2-pole, 3-wire, 480 V AC, 50/60 Hz, 20 A	291383	331 g
	8570/22-405-S-XX-X-XX-XXX plug, 3-pole, 4-wire, 600 V AC, 50/60 Hz, 20 A	291378	384 g
	8570/22-407-S-XX-X-XX-XXX plug, 3-pole, 4-wire, 480 V AC, 50/60 Hz, 20 A	291379	384 g
	8570/22-409-S-XX-X-XX-XXX plug, 3-pole, 4-wire, 200 to 250 V AC, 50/60 Hz, 20 A	291380	384 g
	8570/22-505-S-XX-X-XX-XXX plug, 4-pole, 5-wire, 347 to 400/600 V AC, 50/60 Hz, 20 A	291375	444 g
	8570/22-507-S-XX-X-XX-XXX plug, 4-pole, 5-wire, 277/480 V AC, 50/60 Hz, 20 A	291376	444 g
	8570/22-509-S-XX-X-XX-XXX plug, 4-pole, 5-wire, 120/208 to 144/250 V AC, 50/60 Hz, 20 A	291377	444 g

Spare Parts

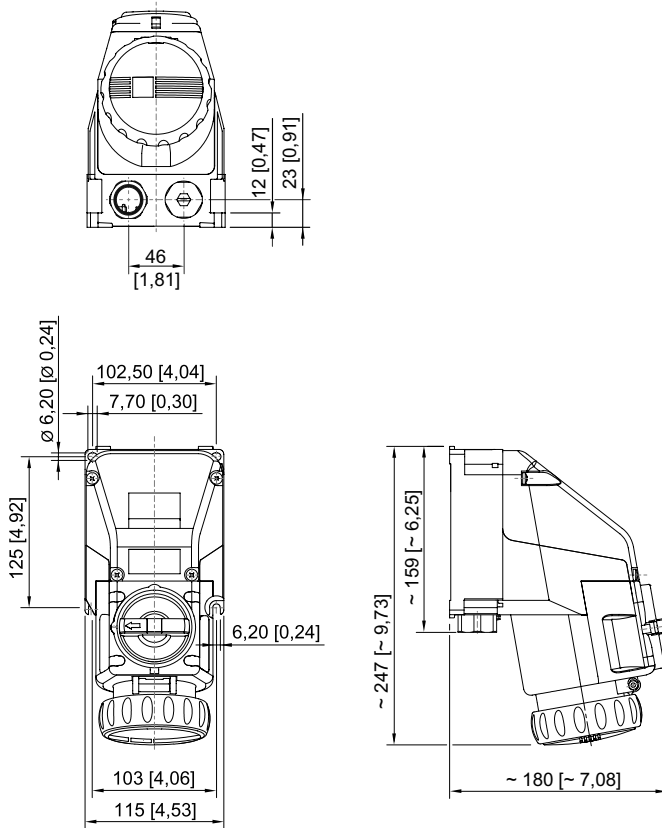
Figure	Description	Art. No.	Weight
Repair set for Series 8570 sockets			
	Repair set 8570 hinged cover, 3-pole, blue	274116	95 g
	Repair set 8570 hinged cover, 3-pole, red	274118	95 g
	Repair set 8570 hinged cover, 3-pole, yellow	274117	95 g
	Repair set 8570 hinged cover, 4-pole, black	274114	115 g
	Repair set 8570 hinged cover, 4-pole, blue	274111	115 g
	Repair set 8570 hinged cover, 4-pole, red	274113	115 g
	Repair set 8570 hinged cover, 5-pole, black	274109	125 g
	Repair set 8570 hinged cover, 5-pole, blue	274106	125 g
	Repair set 8570 hinged cover, 5-pole, red	274108	125 g

Dimensional Drawings (All Dimensions in mm [inches]) – Subject to Alterations

E3



E3



4-pole/5-pole wall-mounting socket