



- Metal Ex e conduit hub
- Wide selection of NPT thread sizes
- Large temperature range of use
- Globally certified in accordance with IECEx, ATEX and cULus
- Integrated self-loosening protection thanks to threaded pin

E10

## MY R. STAHL 8166A



R. STAHL's Series 8166 conduit hubs are used to route permanently installed conduit systems with NPT thread into electrical equipment with the increased safety "e" type of protection or the protection by explosion "tb" type of protection, and are suitable for NEMA type 4X installation.

	IECEX / ATEX					
Zone	0	1	2	20	21	22
Installation in		•	•		•	•

	NEC® 500 CE Code Appendix J					
	Class I		Class II		Class III	
Division	1	2	1	2	1	2
Installation in		•		•		•

	CE Code Section 18					
	NEC® 505			NEC® 506		
	Class I					
Zone	0	1	2	20	21	22
Installation in		•				

Selection Table				
Product Description	Conduit hub			
Thread size	Product Type	Art. No.	Weight	
NPT1	8166/11-03-NE	139084	180 g	
NPT1/2	8166/11-01-NE	139082	121 g	
NPT1-1/2	8166/11-05-NE	139086	240 g	
NPT1-1/4	8166/11-04-NE	139085	210 g	
NPT2	8166/11-06-NE	139087	270 g	
NPT2-1/2	8166/11-07-NE	139088	300 g	
NPT3	8166/11-08-NE	139089	330 g	
NPT3/4	8166/11-02-NE	139083	150 g	

Technical Data	
Explosion Protection	
Area of application	USA Canada European Union (ATEX) IECEX
IECEX gas explosion protection	Ex eb IIC Gb
IECEX dust explosion protection	Ex tb IIIC Db
ATEX gas explosion protection	⊕ II 2 G Ex eb IIC Gb
ATEX dust explosion protection	⊕ II 2 D Ex tb IIIC Db
Marking cUL	Class I, Zone 1 Ex e II Class I, Div. 2, Groups A,B,C,D Class II, Div. 2, Groups F,G Class III Type 3, 4, 4X

## Technical Data

### Explosion Protection

Marking ULus	Class I, Zone 1 AEx e II Class I, Div. 2, Groups A,B,C,D Class II, Div. 2, Groups F,G Class III Type 3, 4, 4X
--------------	---

Certificates	ATEX (PTB), Canada / USA (UL), Canada (UL), IECEx (PTB)
--------------	---

### Electrical Data

PE-pole present	Yes
-----------------	-----

### Ambient Conditions

Ambient temperature	-30 °C ... +100 °C
---------------------	--------------------

Ambient temperature	-22 °F ... +212 °F
---------------------	--------------------

### Mechanical Data

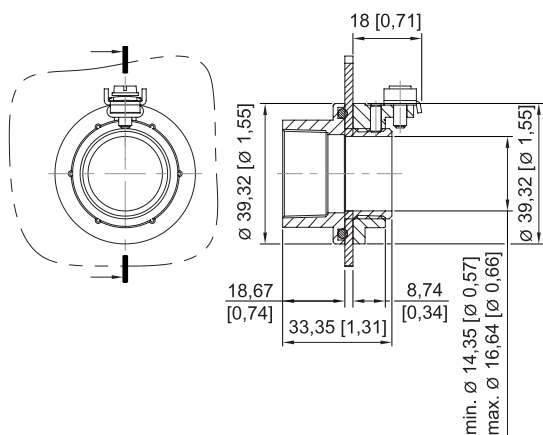
Degree of protection (IP)	IP66
---------------------------	------

Degree of protection (IP) (IEC 60529)	IP66
---------------------------------------	------

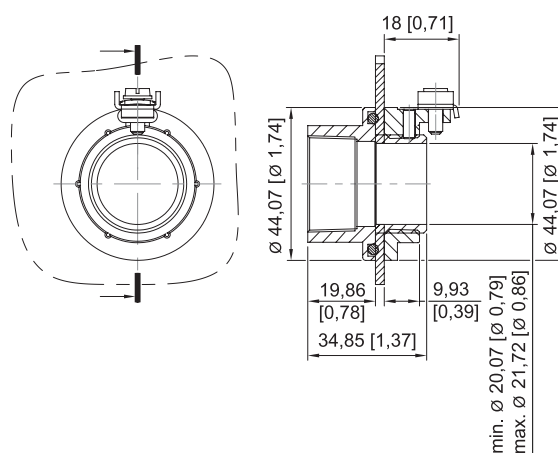
Degree of protection (NEMA)	3, 4, 4X
-----------------------------	----------

Material	Zinc
----------	------

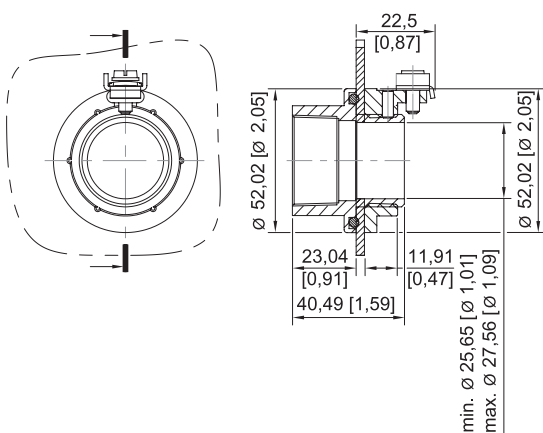
## Dimensional Drawings (All Dimensions in mm [inches]) – Subject to Alterations



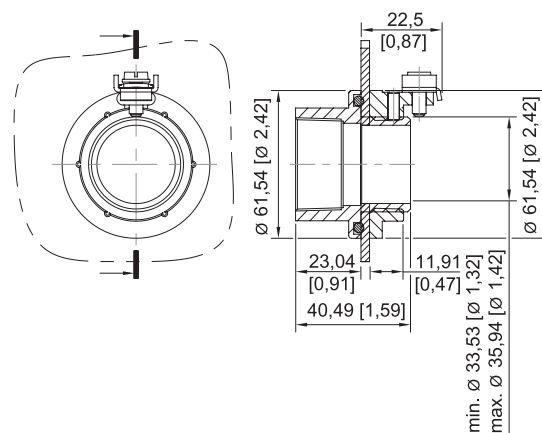
8166/11-01-NE



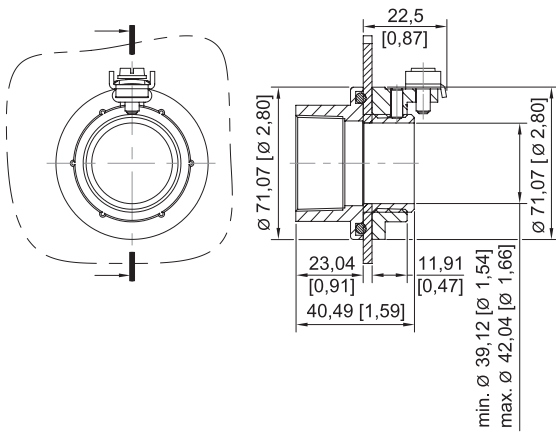
8166/11-02-NE



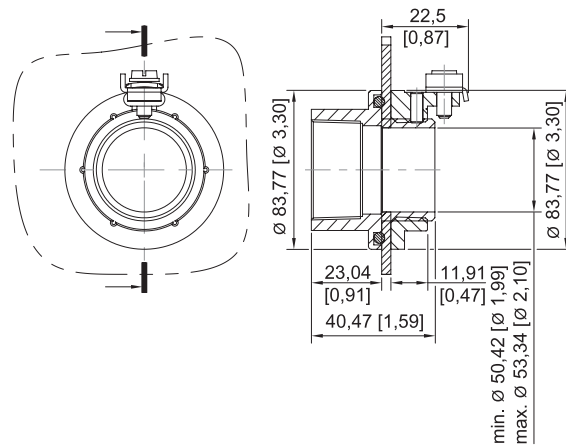
8166/11-03-NE



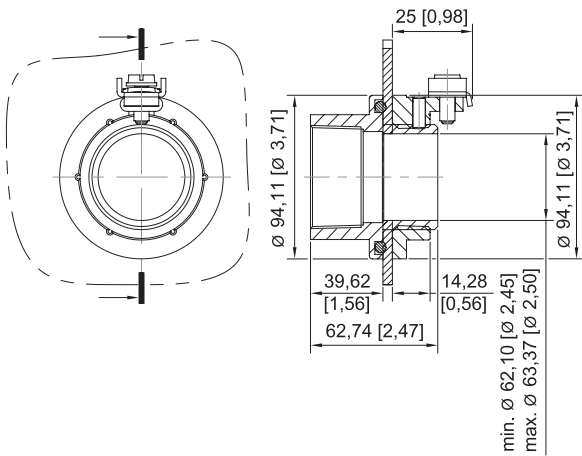
8166/11-04-NE



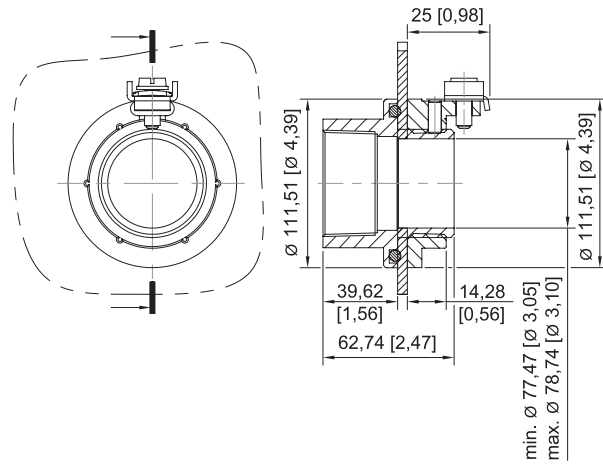
8166/11-05-NE



8166/11-06-NE



8166/11-07-NE



8166/11-08-NE