



- Ex equipment certificate for use in Zone 1 applications
- Automatic cooling power adjustments at different conditions with thermal expansion valve, to achieve constant inner temperature
- Cooling capacity of 4 kW acc. to EN 14511 (L35/L35)
- Wide setpoint range of 18 °C to 35 °C
- Balanced design for direct surface mounting without additional support
- Plug and Play - Easy installation, no setup required

MY R. STAHL 8701A








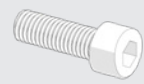

R. STAHL's ExSys Cool 8701 series of air conditioning system offers the ideal cooling performance in hazardous environment. The use of thermal expansion valve technology enables constant automatic cooling at wide temperature set point (18 °C to 35 °C). ExSys Cool is certified as equipment to be mounted on Ex e and Ex p cabinets e.g. MCC (Motor Control Center) panels. The product has a wide ambient temperature range (depending on the refrigerant choice) from -40 °C to 55 °C and a cooling capacity of 4 kW to 6 kW acc. to EN 14511 (L35/L35). The product is offered as standard pre-defined configuration as well as customized solutions to match flexible customer's HVAC requirements.

	IEEx / ATEX					
Zone	0	1	2	20	21	22
Installation in		•	•			

Selection Table							
Product variant		Zone 1/ Ex-p					
Rated operational current	Total power input	Evaporator Ex-rated	Ambient temperature	Ambient temperature	Product Type	Art. No.	Weight
7.5 A	1.7 kW	No	-20 °C ... 50 °C	-4 °F ... 122 °F	8701/01-1110-0200-04	327393	210 kg
9 A	2.1 kW	No	-40 °C ... 50 °C	-40 °F ... 122 °F	8701/01-1111-0200-04	327394	210 kg
Product variant		Zone 1/ Non-Ex					
Rated operational current	Total power input	Evaporator Ex-rated	Ambient temperature	Ambient temperature	Product Type	Art. No.	Weight
7.5 A	1.7 kW	No	-20 °C ... 50 °C	-4 °F ... 122 °F	8701/01-1210-0200-04	327395	210 kg
9 A	2.1 kW	No	-40 °C ... 50 °C	-40 °F ... 122 °F	8701/01-1211-0200-04	327392	210 kg
Product variant		Zone 1/ Zone 1					
Rated operational current	Total power input	Evaporator Ex-rated	Ambient temperature	Ambient temperature	Product Type	Art. No.	Weight
7.5 A	1.7 kW	Yes	-20 °C ... 50 °C	-4 °F ... 122 °F	8701/01-1010-0200-04	288611	260 kg
9 A	2.1 kW	Yes	-40 °C ... 50 °C	-40 °F ... 122 °F	8701/01-1011-0200-04	288539	260 kg

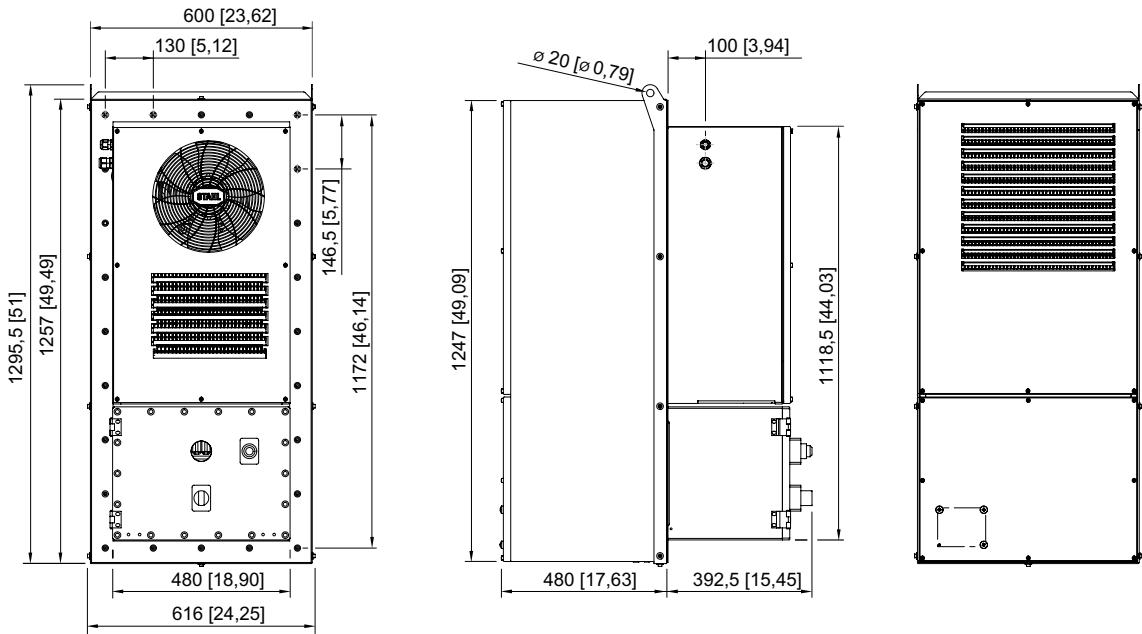
Technical Data	
Explosion Protection	
IEEx gas explosion protection	Ex db eb q ib IIB+H2 T4 Gb
ATEX gas explosion protection	Ⓔ II 2 G Ex db eb q ib IIB+H2 T4 Gb
Certificates	ATEX (DEK), IECEX (DEK)

Technical Data	
Electrical Data	
Rated operational voltage AC	220 ... 240 V
Frequency	50 Hz
Climatic Data	
Air conditioning unit version	Cooling only
CO2 equivalent	1146 kg
Cooling capacity acc. to EN 14511 (L35/ L35)	4.2 kW
Evaporation control	Thermostatic expansion valve
Max setpoint temperature	35 °C
Min setpoint temperature	18 °C
Refrigerant GWP	573
Refrigerant type	R513A
Mechanical Data	
Air conditioner enclosure	Stainless steel 1.4404, 316L, brush finished, Natural finish, Painted: No
Degree of protection (IP) (IEC 60529)	IP66

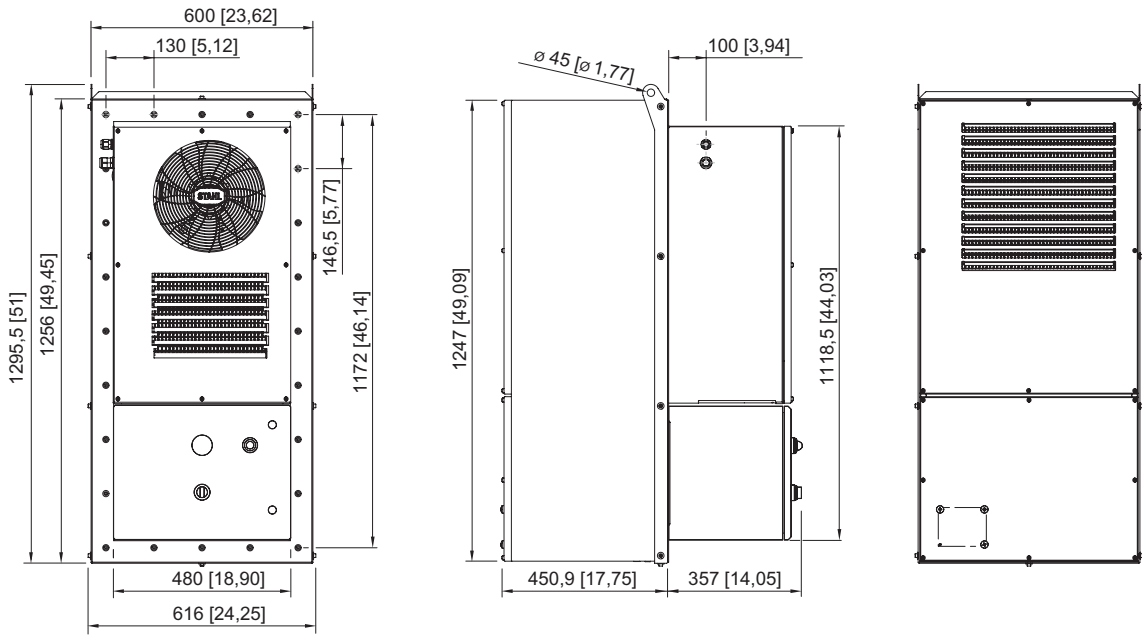
Accessories			
Figure	Description	Art. No.	Weight
Cable gland made of plastic			
	8161/7-M20-1304, Ex e Plastic, M20 x 1.5, cable outer diameter 4 to 13 mm	229917	13 g
Metal cable gland			
	Ex d and Ex e cable glands for all types of unarmoured cables and cables with wire-braid armouring (nickel-plated brass) Type 20A2F, M20 x 1.5	243464	60 g
	Ex d and Ex e cable glands for all types of armoured cables and cables with wire-braid armouring (nickel-plated brass) Type E1FU, M20 x 1.5	243484	210 g
Stopping plug			
	8290/3-M20 Plastic, M20 x 1.5 Lot size 1 piece	143522	7 g
	Stainless steel stopping plug M20x1.5 with hexagon insert bit	251101	79 g
Screw			
	Cylindrical screw M10 x 30 A4-70 1 piece	109972	27 g
Seal 8701 center plate			
	Seal for the center plate for wall mounting	321081	-

Dimensional Drawings (All Dimensions in mm [inches]) – Subject to Alterations

E8



ExSys Cool 8701 Zone 1 / Zone 1



ExSys Cool 8701 Zone 1 / Non-Ex
ExSys Cool 8701 Zone 1 / Ex p