



- Backlit text and graphics with dimming control
- Audible and visual alarms
- Main and spare lanterns in same buttons
- Function keys which automatically turns on and off outputs
- Custom made graphics and tex

E6

MY R. STAHL T4900B



The operator panels for TEF 4900 Commander are very flexible in sizes and configurations. The panels are custom built and allow for use of text in several languages as well as graphics, such as small frames, etc. With a dimmable backlight these are easy to read in daylight as well as at night. Several panels may be connected to the same network, more typical with non-critical applications. Main and spare lanterns are handled in the same button, which simplifies and enhances safety. Automatic change over to spare lanterns with full alert tracing. Depending on how long the button is pressed, either the main or the backup navigation light is switched on. Special function buttons may be set up to automatically turn on and off lanterns with one single button, such as sailing lanterns on and anchor lanterns off. Alerts are provided with flashing LED's as well as a buzzer for audible alarms.

Applications:

- Complete control and monitoring of several types of critical lights on vessels:
- Navigation lights
- Signal lights
- Suez lights
- ROV lights
- Towing lights
- Etc.

Selection Table					
DC supply voltage		24.00 V			
Size	Product description	Number of buttons	Old Art. No.	Art. No.	Weight
1	Navigation lighting system Control panel	21	4901100	332486	-
2	Navigation lighting system Control panel	28	4902100	332488	-
3	Navigation lighting system Control panel	35	4903100	332490	-
4	Navigation lighting system Control panel	42	4904100	332491	-
5	Navigation lighting system Control panel	49	4905100	332492	-

Technical Data	
Electrical Data	
DC supply voltage	24 V
Power consumption	7.2 W
Number of RS-485 interfaces	2

Technical Data
Auxiliary Power

Auxiliary pwr nom. voltage DC 24 V

Diagnostics

Communication RS-485

Display

Backlight Dimmable LED

Mechanical Data

Degree of protection (IP) IP22

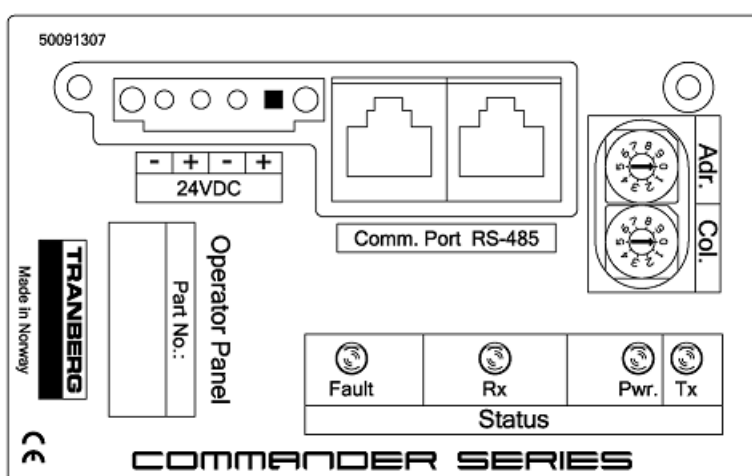
Technical Drawings – Subject to Alterations

Spare Parts

Figure	Description	Art. No.	Weight
Operator Panel			
	TEF4901000 Operator Panel Size 1 Old Art. No.: 4901000	170553	1.3 kg
	TEF4902000 Operator Panel Size 2 Old Art. No.: 4902000	170554	1.3 kg
	TEF4903000 Operator Panel Size 3 Old Art. No.: 4903000	170555	1 kg
	TEF4904000 Operator Panel Size 4 Old Art. No.: 4904000	170556	2 kg
	TEF4905000 Operator Panel Size 5 Old Art. No.: 4905000	170557	2 kg

Dimensional Drawings (All Dimensions in mm [inches]) – Subject to Alterations

E6

