



- Extremely compact universal light fitting with 4 power classes
- Can be used as a ceiling light fitting, pendant light fitting or floodlight
- Three light distribution curves available: Ultra-wide-beam, wide-beam and medium-wide-beam
- Glare-free thanks to opaque light fitting covering
- Quick, easy installation thanks to Ex e connection chamber
- Universally suitable for use in particularly cold environments as cold as -55 °C
- Suitable for particularly high ambient temperatures up to +70 °C

E2

## MY R. STAHL 6050C



The 6050/6 universal spotlight is equipment used for lighting areas, work equipment and objects. It can be used indoors and outdoors. The clear lens is available in a matted version to limit the glare. Using an internal reflector, the universal spotlight can be adapted as a narrow beam, wide beam or a medium-wide beam to suit the lighting task.

Zone	IECEX / ATEX					
	0	1	2	20	21	22
Installation in		•	•		•	•

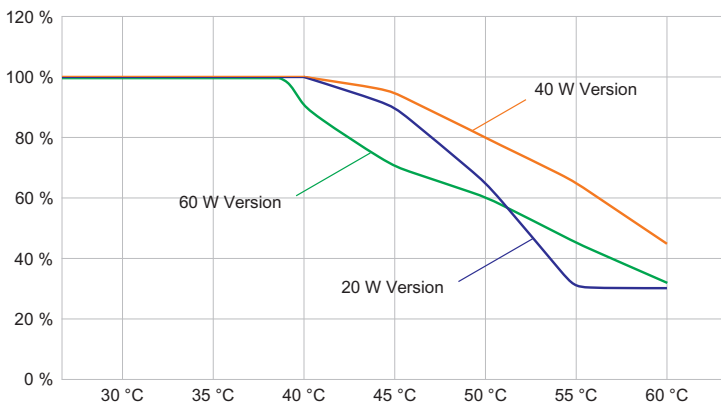
Selection Table									
Lamp wattage 20 W									
Version	Interfaces	Wire guard	Reflector	Protective glass version	Luminous flux	Luminaire efficacy	Product Type	Art. No.	Weight
Ceiling mounting	-	No	No	Matt	1900 lm	114 lm/W	6050/604-202-6B2-200850-000	267555	6.75 kg
		No	No	Clear	2000 lm	122 lm/W	6050/604-202-6B2-000850-000	265418	6.75 kg
		Yes	No	Matt	1900 lm	114 lm/W	6050/604-202-6B2-300850-000	267469	7.04 kg
		Yes	No	Clear	2000 lm	122 lm/W	6050/604-202-6B2-100850-000	265419	7.04 kg
Lamp wattage 40 W									
Version	Interfaces	Wire guard	Reflector	Protective glass version	Luminous flux	Luminaire efficacy	Product Type	Art. No.	Weight
Bracket mounting	DALI	No	No	Clear	5100 lm	127 lm/W	6050/604-401-7B2-000850-001	272489	8.23 kg
		No	Yes	Clear	5100 lm	127 lm/W	6050/604-401-7B2-008850-001	272491	8.23 kg
		Yes	No	Clear	5100 lm	127 lm/W	6050/604-401-7B2-100850-001	272490	8.52 kg
		Yes	Yes	Clear	5100 lm	127 lm/W	6050/604-401-7B2-108850-001	272492	8.52 kg
Ceiling mounting	-	No	No	Matt	4700 lm	117 lm/W	6050/604-400-6B2-200850-000	267466	6.75 kg
		Yes	No	Matt	4700 lm	117 lm/W	6050/604-400-6B2-300850-000	267470	7.04 kg

Selection Table									
Lamp wattage 40 W									
Version	Interfaces	Wire guard	Reflector	Protective glass version	Luminous flux	Luminaire efficacy	Product Type	Art. No.	Weight
Conduit mounting	-	No	No	Clear	4700 lm	117 lm/W	6050/604-400-6B2-000850-004	282972	7.03 kg
		No	Yes	Clear	5100 lm	127 lm/W	6050/604-400-6B2-008850-004	282973	7.03 kg
		Yes	No	Clear	4700 lm	117 lm/W	6050/604-400-6B2-100850-004	282974	7.05 kg
		Yes	Yes	Clear	5100 lm	127 lm/W	6050/604-400-6B2-108850-004	282975	7.05 kg
Lamp wattage 60 W									
Version	Interfaces	Wire guard	Reflector	Protective glass version	Luminous flux	Luminaire efficacy	Product Type	Art. No.	Weight
Bracket mounting	DALI	No	No	Clear	7400 lm	122 lm/W	6050/604-601-7B2-000850-001	272480	8.23 kg
		No	Yes	Clear	7400 lm	122 lm/W	6050/604-601-7B2-008850-001	272482	8.23 kg
		Yes	No	Clear	7400 lm	122 lm/W	6050/604-601-7B2-100850-001	272481	8.52 kg
		Yes	Yes	Clear	7400 lm	122 lm/W	6050/604-601-7B2-108850-001	272483	8.52 kg
Conduit mounting	-	No	No	Clear	7400 lm	122 lm/W	6050/604-600-6B2-000850-004	282976	7.03 kg
		No	Yes	Clear	7400 lm	122 lm/W	6050/604-600-6B2-008850-004	283121	7.03 kg
		Yes	No	Clear	7400 lm	122 lm/W	6050/604-600-6B2-100850-004	283122	7.05 kg
		Yes	Yes	Clear	7400 lm	122 lm/W	6050/604-600-6B2-108850-004	283123	7.05 kg
Lamp wattage 80 W									
Version	Interfaces	Wire guard	Reflector	Protective glass version	Luminous flux	Luminaire efficacy	Product Type	Art. No.	Weight
Bracket mounting	DALI	No	Yes	Clear	8800 lm	113 lm/W	6050/604-801-7B2-008850-001	270016	8.23 kg
		Yes	Yes	Clear	8800 lm	113 lm/W	6050/604-801-7B2-108850-001	270020	8.52 kg
Conduit mounting	DALI	No	No	Clear	8800 lm	113 lm/W	6050/604-801-7B2-000850-004	283124	7.03 kg
		No	Yes	Clear	8800 lm	113 lm/W	6050/604-801-7B2-008850-004	283125	7.03 kg
		Yes	No	Clear	8800 lm	113 lm/W	6050/604-801-7B2-100850-004	283126	7.05 kg
		Yes	Yes	Clear	8800 lm	113 lm/W	6050/604-801-7B2-108850-004	283127	7.05 kg
Pendant mounting	DALI	No	No	Clear	8800 lm	113 lm/W	6050/604-801-7B2-000850-002	270017	6.86 kg
		No	Yes	Clear	8800 lm	113 lm/W	6050/604-801-7B2-008850-002	270018	6.86 kg
Bracket mounting	DALI	No	No	Matt	8100 lm	104 lm/W	6050/604-801-7B2-200850-001	276008	8.23 kg
		No	No	Clear	8800 lm	113 lm/W	6050/604-801-7B2-000850-001	270015	8.23 kg
		Yes	No	Clear	8800 lm	113 lm/W	6050/604-801-7B2-100850-001	270019	8.52 kg

Technical Data	
Explosion Protection	
IECEX gas explosion protection	Ex db eb op is IIC T4 Gb

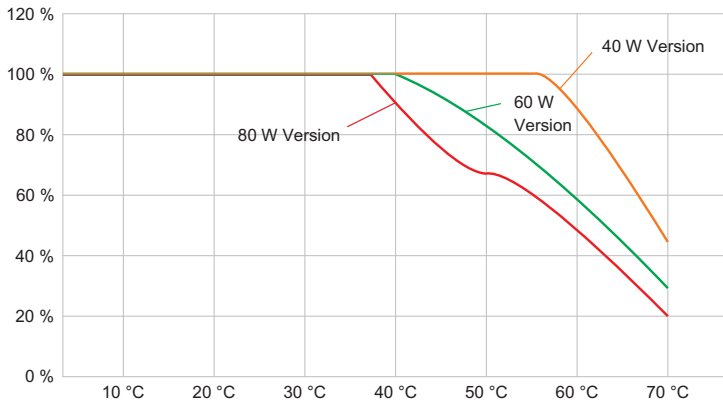
Technical Data	
Explosion Protection	
IECEX dust explosion protection	Ex tb op is IIIC T110 °C Db
ATEX gas explosion protection	Ⓜ II 2 G Ex db eb op is IIC T4 Gb
ATEX dust explosion protection	Ⓜ II 2 D Ex tb op is IIIC T110 °C Db
Certificates	ATEX (BVIS), Brazil (ULB), IECEX (BVIS), Polen (CNBOP)
Declaration of Conformity	ATEX (EUK), Declaration of Conformity (AUS)
Notes	For temperature classes and surface temperatures, see selection table
Electrical Data	
Rated operational voltage AC	220 ... 240 V
Frequency range	50 – 60 Hz
Ambient Conditions	
Ambient temperature °C	-40 – 60 °C
Lighting Data	
Lamp	LED
Light colour	5000 K – neutral white
Colour rendering	≥ 80
Colour temperature	5000 K
Mechanical Data	
Degree of protection (IP)	IP66 / IP68 (10 m)
Enclosure material	Aluminium, Seawater-resistant
Sealing material	Silicone
Max. solid connection terminals	6 mm <sup>2</sup>
Max. finely stranded connection terminals	4 mm <sup>2</sup>
Type of connection cable	Finely stranded Solid Finely stranded with clip
Size	1
Components	
Cable glands and entries	1 x M25 x 1.5
Stopping plugs	1 x M25 x 1.5
Wire guard	No

### Technical Drawings – Subject to Alterations



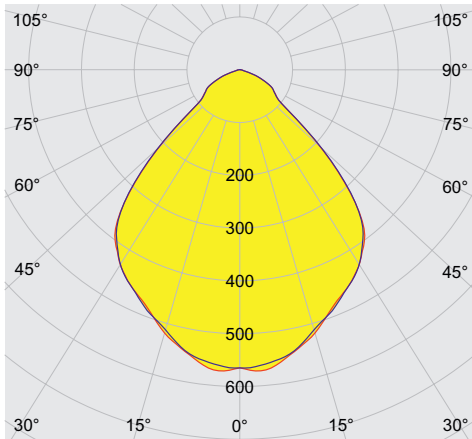
Luminous flux decrease at ambient temperature - variants with DALI

E2



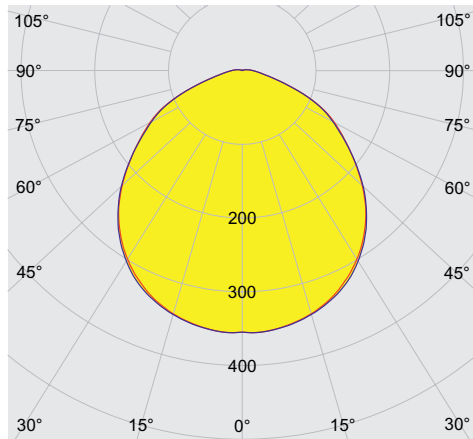
Luminous flux decrease at ambient temperature - variants without DALI

**Light Distribution Curves – Subject to Alterations**



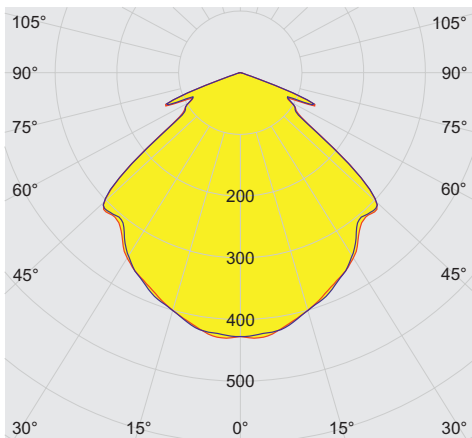
cd/klm  $\eta = 100\%$   
— C0 - C180 — C90 - C270

With internal reflector, protection glass clear





cd/klm  $\eta = 100\%$   
— C0 - C180 — C90 - C270

Without internal reflector, protection glass diffuse

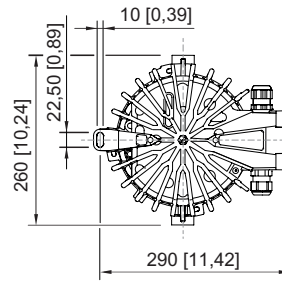
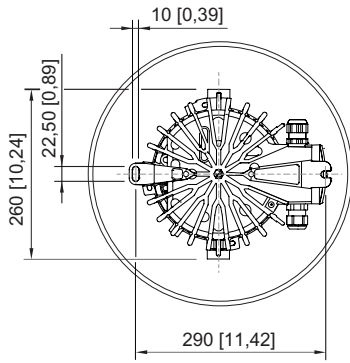
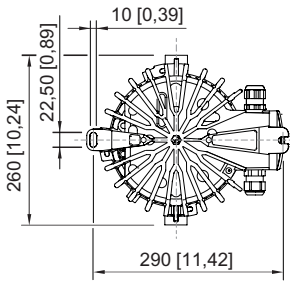
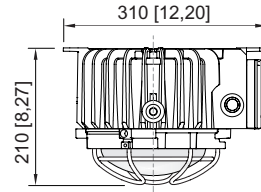
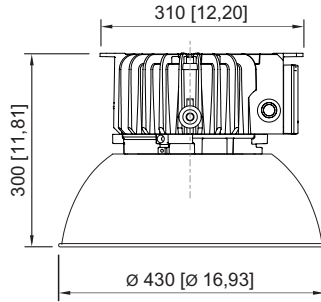
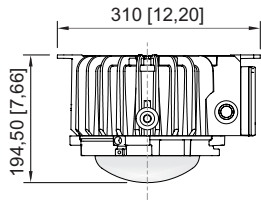


cd/klm  $\eta = 100\%$   
— C0 - C180 — C90 - C270

Without internal reflector, protection glass clear

Accessories			
Figure	Description	Art. No.	Weight
<b>Mounting bracket</b>			
	Complete; made from stainless steel (for subsequent self-mounting) For 6050/6	265877	1.48 kg
	The stainless steel mounting fixture is fastened to the enclosure of the pendant light fitting series 6050/6 by means of two stainless steel screws M8.	269716	350 g
<b>Pipe clamp</b>			
	for pipe R 1 1/4" to 2"	268967	450 g
<b>Plastic cable gland</b>			
	81617-M25-1707 7 to 17 mm <sup>2</sup> 1 piece	229918	19 g
	81617-M25-1707, Ex e Plastic, M25 x 1.5, cable outer diameter 7 to 17 mm Lot size 50 pieces	239157	19 g
<b>Ring bolt</b>			
	M8, für 6050/6, direct mounting; 1 pair	265874	400 g
	M10, direct mounting in insert nuts; 1 pair	118560	210 g
<b>Stopping plug</b>			
	8290/3-M25 Plastic, M25 x 1.5 Lot size 1 piece	143524	10 g
<b>Wire guard</b>			
	Complete with mounting parts Material: Stainless steel wire For 6050/6	221774	450 g

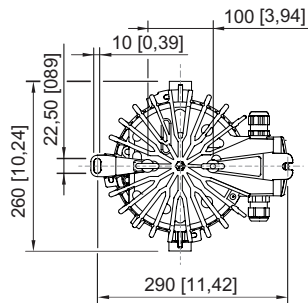
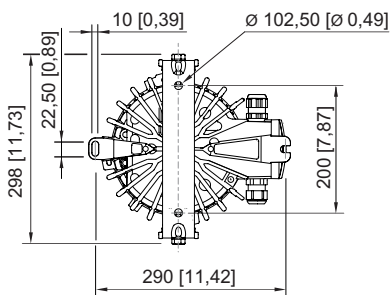
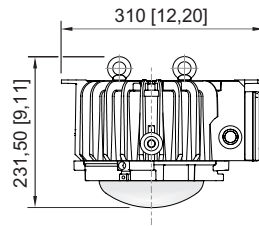
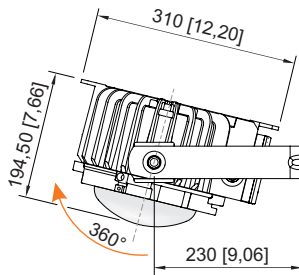
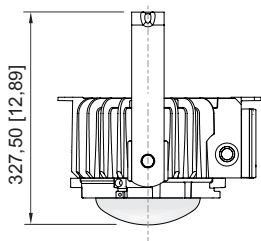
Lot size: Purchase order quantity in [pieces], the delivery quantity is automatically rounded to the lot size.



Standard

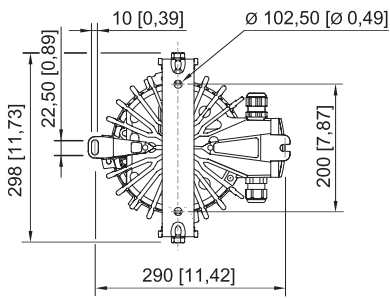
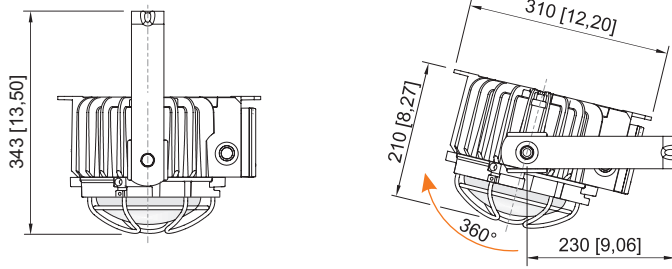
With antiglare device

With wire guard

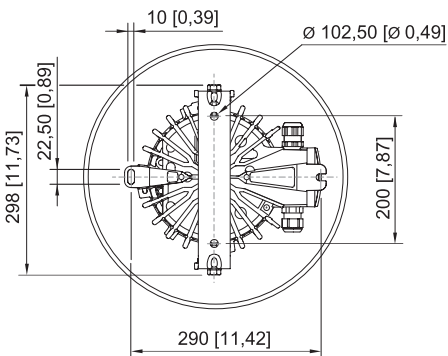
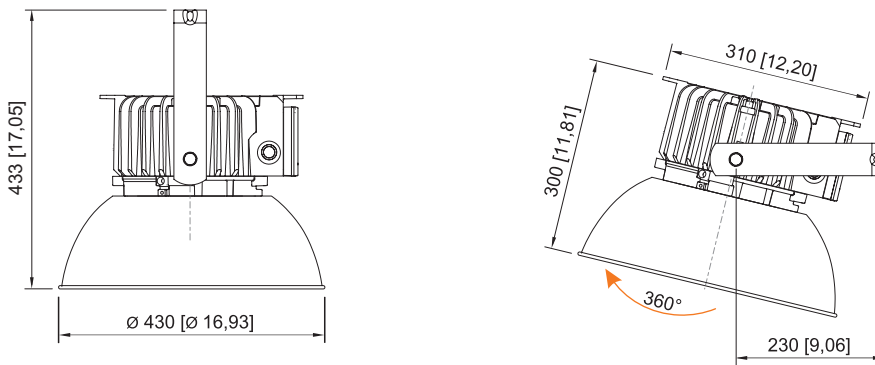


With mounting bracket

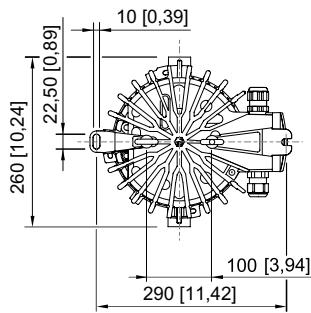
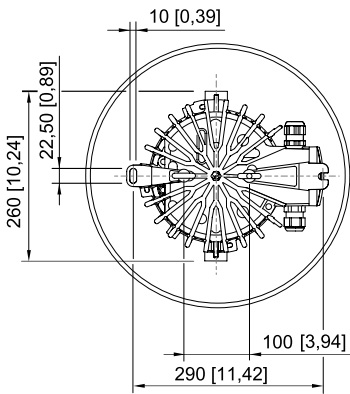
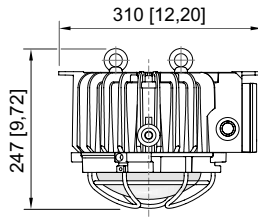
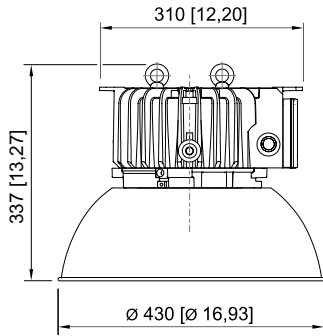
With ring eyes



With wire guard and mounting bracket

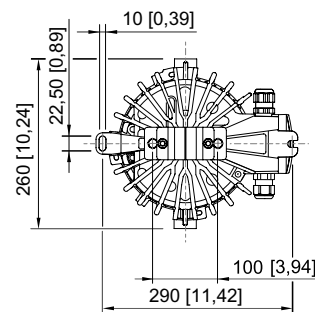
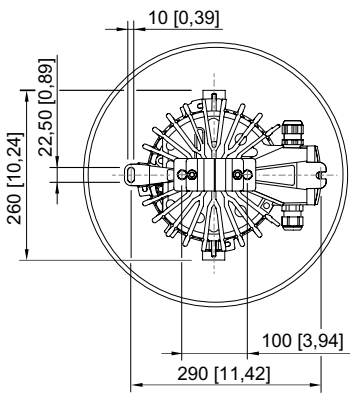
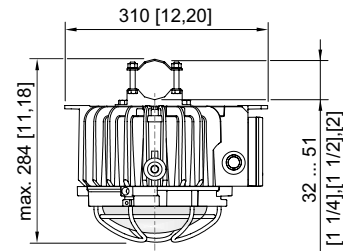
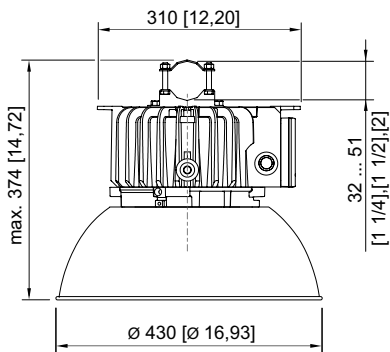


With antiglare device and mounting bracket



With antiglare device and ring eyes

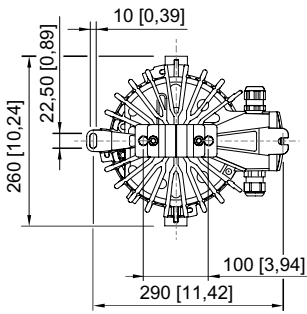
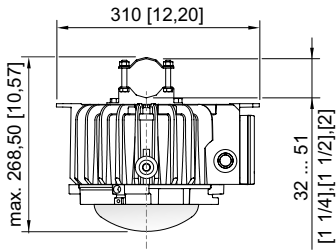
With wire guard and ring eyes



With antiglare device and pipe clamp

With wire guard and pipe clamp





With pipe clamp

### Inrush current

Power	DALI function	Start-up current
20 W	without	I <sub>peak</sub> = 25 A, Delta t = 150 μs
40 W / 60 W	without	I <sub>peak</sub> = 55 A, Delta t = 230 μs
40 W / 60 W / 80 W	with	I <sub>peak</sub> = 57 A, Delta t = 210 μs

Maximum number of luminaires per miniature circuit breaker at 230 V:

Power	Type	10 A	16 A	20 A	25 A
20 W	B	23	36	45	57
	C	39	61	76	96
40 W / 60 W	B	7	11	13	17
	C	11	18	22	28
DALI 40 W / 60 W / 80 W	B	7	12	14	21
	C	11	19	23	32