

9445/32-12 Art. No. 279965



- 24 V DC supply module for IS1+ CPU modules and 16 I/O modules
- Redundancy of the power module with load sharing possible
- Integrated polarity reversal protection
- Error messages according to NE 107 (overload, overtemperature, maintenance required)
- Supports FDT/DTM, OPC UA and web servers for integration in asset management systems
- Extended ambient temperature range from -40 to +75 °C

MY R. STAHL 9445B



The 9445/32 power module is used to supply the 9442/32 CPU and up to 16 I/O modules with intrinsically safe power. The auxiliary power is connected using a pluggable terminal with unconnected cable end (accessory).

Two 9445/32 power modules can be connected to a 9496/35 socket to provide a redundant power supply to the 9442/32 CPU and the I/O modules. The 9445/32 power module monitors itself and reports notifications to the control systems and asset management systems when there is an overload, the ambient temperatures are too high or the end of the service life has been reached.

Technical Data

Explosion Protection

Application range (zones)	1, 2
Ex interface zone	1, 2
IECEX gas certificate	IECEX PTB 17.0042X
IECEX gas explosion protection	Ex eb mb [ia Ga] [ib Gb] IIC T4 Gb
ATEX gas certificate	PTB 17 ATEX 2026 X
ATEX gas explosion protection	Ex II 2 (1) (2) G Ex eb mb [ia Ga] [ib Gb] IIC T4 Gb
Certificates	ATEX (PTB), Brazil (ULB), China (NEPSI), IECEX (PTB)
Ship approval	BVIS, EU RO MR (DNV), KR, LR
Declaration of conformity	ATEX (EUK), China (CCC)
Installation	Zone 1

Safety Data

Safety-related max. voltage	≤ 60 V DC
-----------------------------	-----------

Electrical Data

Start-up current	75 A at ≤ 2 ms
------------------	----------------

Auxiliary Power

Auxiliary power nominal voltage	24 V DC
Auxiliary power voltage range	19 to 32 V DC
Polarity reversal protection	Yes
Undervoltage monitoring	≤ 18 V DC
Redundancy	Yes (by using two power modules)

Galvanic Isolation

Auxiliary power/system components	1500 V AC
-----------------------------------	-----------

Device Specific Data

LED module requires maintenance	"M/S" LED, blue
---------------------------------	-----------------

9445/32-12 Art. No. 279965

Device Specific Data

Auxiliary power LED	"PWR IN" LED, green
LED output	"PWR OUT" LED, green

Ambient Conditions

Ambient temperature	-40°C ... +65°C (without mounting plate) -40°C ... +70°C (With 3 mm sheet steel mounting plate) -40°C ... +75°C (With 6 mm aluminium mounting plate)
Storage temperature	-40°C ... +80°C
Max. operating altitude	< 2000 m
Max. relative humidity	95% (without condensation)

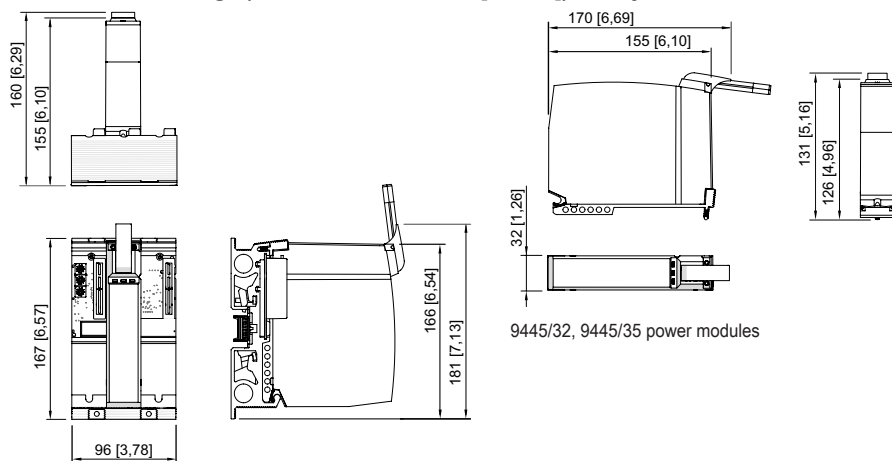
Mechanical Data

Degree of protection (IP) (IEC 60529)	IP30
Module enclosure	Polyamide 6GF Seawater-resistant aluminium
Fire resistance (UL 94)	V2
Pollutant class	Corresponds to G3
Width	31 mm
Depth	110 mm
Length	152 mm
Weight	1.3 kg
Weight	2.87 lb

Mounting / Installation

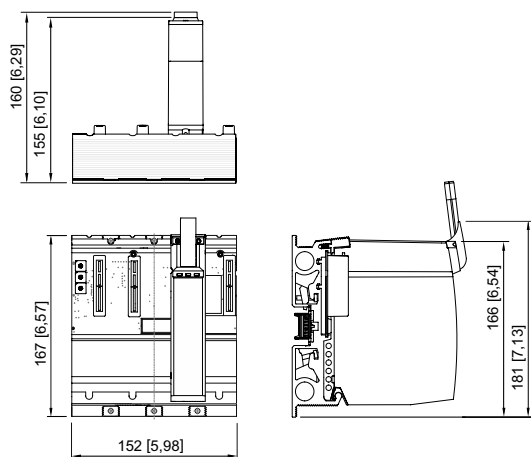
Mounting orientation	Vertical Horizontal
Module fuse	Torx T20 screws

Dimensional Drawings (All Dimensions in mm [inches]) – Subject to Alterations



9445/32, 9445/35 power modules and
9496 socket (3 slots)

9445/32-12 Art. No. 279965



9445/32, 9445/35 power modules and
9496 socket (4 slots)

Accessories

Connection set		Art. No.
	Auxiliary power set, 24 V (3 m)	261232
Series 9496/32 – socket for CPU & power modules		Art. No.
	Zone 1 3 slots for mounting 1 x CPU and 2 x power module or 2 x CPU and 1 x power module Dimensions approx. L = 167 mm, W = 96 mm, H = 50.6 mm	290095
	Zone 1 4 slots for mounting 2 x CPU and 2 x power module Dimensions approx. L = 167 mm, W = 152 mm, H = 50.6 mm	290162

We reserve the right to make alterations to the technical data, dimensions, weights, designs and products available without notice. The illustrations cannot be considered binding.