

8252/52-0B1B0-C1591 Art. No. 283048



MY R. STAHL 8252B



Technical Data

Explosion Protection

Application range (zones)	1, 2, 21, 22
IECEX gas certificate	IECEX BVS 11.0059X
IECEX gas explosion protection	Ex d IIB T6 Gb
IECEX dust certificate	IECEX BVS 11.0059X
IECEX dust explosion protection	Ex tb IIIC T80°C Db
ATEX gas certificate	BVS 11 ATEX E 114 X
ATEX gas explosion protection	Ⓔ II 2 G Ex d IIB T6 Gb
ATEX dust certificate	BVS 11 ATEX E 114 X
ATEX dust explosion protection	Ⓔ II 2 D Ex tb IIIC T80°C Db
Certificates	ATEX (BVS), IECEX (BVS)

Electrical Data

Rated operational voltage DC	30 V
Rated operational current	400 mA (T6)

Ambient Conditions

Ambient temperature	-20 °C ... +60 °C
---------------------	-------------------

Mechanical Data

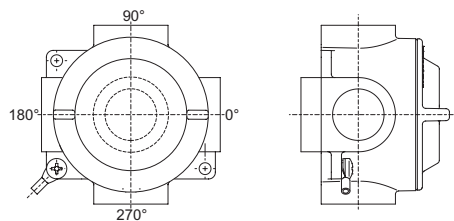
Degree of protection (IP)	IP66
Enclosure material	Cast aluminium alloy, Copper-free, powder-coated
Enclosure colour	Light grey (RAL 7032)
Width	106 mm
Height	106 mm
Depth	76 mm
Built-in components	Isolator
Enclosure size	2
Floor openings (BASE)	without entry & without adaptor
Left openings (180°)	M20
Top openings (90°)	Adaptor/without entries
Right openings (0°)	M20
Bottom openings (270°)	without entry & without adaptor
Weight	900 g

8252/52-0B1B0-C1591 Art. No. 283048

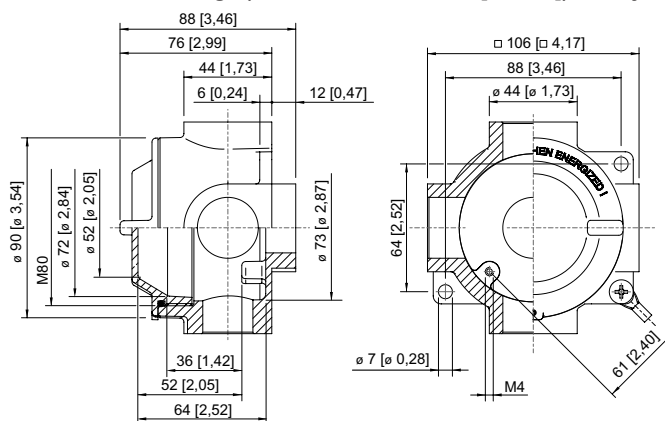
Mechanical Data

Weight	1.98 lb
--------	---------

Technical Drawings – Subject to Alterations



Dimensional Drawings (All Dimensions in mm [inches]) – Subject to Alterations



Size 2

We reserve the right to make alterations to the technical data, dimensions, weights, designs and products available without notice. The illustrations cannot be considered binding.