

6525/2222-3501-6015-331 Art. No. 284539



- Checked and approved in accordance with Ex ec type of protection, so vapour tightness test is not applicable
- Stainless steel enclosure as standard for a long service life and safety even under harsh ambient conditions
- Extremely wide range of ambient temperatures – between -60 °C and +60 °C
- Robust design with IK10 and IP66
- Wide-range input with optional 100 V to 277 V
- DALI versions available for lighting control, monitoring and switching

MY R. STAHL 6525C



The revised generation of LED floodlights for Zone 2 now includes a version with Ex ec type of protection especially for the European market. This eliminates the time-consuming vapour tightness test. The wide-range input now also meets the electrical installation conditions for global use. With an optional DALI interface, the floodlight paves the way to a digital lighting solution. Its extremely low start-up current can also support existing installations, as the circuit breakers that are already installed do not need to be replaced.

Technical Data

Explosion Protection

| | |
|---------------------------------|---|
| Application range (zones) | 2, 21, 22 |
| IECEx gas explosion protection | Ex db ec IIC T4 Gc |
| IECEx dust explosion protection | Ex tb op is IIIC T100 °C Db |
| ATEX gas explosion protection | ⊕ II 3 G Ex db ec IIC T4 Gc |
| ATEX dust explosion protection | ⊕ II 2 D Ex tb op is IIIC T100 °C Db |
| Certificates | ATEX (BVIS), IECEx (BVIS), India (PESO) |
| Declaration of conformity | ATEX (EUK) |

Electrical Data

| | |
|------------------------------|---|
| AC rated operational voltage | 110 ... 277 V |
| Frequency range | 50 – 60 Hz |
| Control gear service life | C10 ≥ 100 h, Ta ≤ 25 °C C10 ≥ 50 h, Ta ≤ 60 °C C10 ≥ 60 h, Ta ≤ 40 °C |
| LED service life | L90B50: 66 h |

Lighting Data

| | |
|--------------------|---------------|
| Lamp wattage | 160 W |
| Lamp type | LED |
| Lamp | LED |
| Light colour | Neutral white |
| Light distribution | Medium-beam |
| Luminaire efficacy | 99 lm/W |
| Luminous flux | 15413 lm |
| Colour rendering | ≥ 80 |
| Colour temperature | 5000 K |

6525/2222-3501-6015-331 Art. No. 284539

Ambient Conditions

| | |
|---------------------|-------------------|
| Ambient temperature | -60 °C ... +60 °C |
| Storage temperature | -40 °C ... +75 °C |

Mechanical Data

| | |
|---|---|
| Degree of protection (IP) | IP66 |
| Class | I |
| Enclosure material | Stainless steel 1.4301, Powder-coated Single-layer powder-coated |
| Enclosure colour | Similar to RAL 9010 |
| Sealing material | Silicone |
| Pane material | Reinforced glass |
| Max. solid connection terminals | 6 mm ² |
| Max. finely stranded connection terminals | 4 mm ² |
| Type of connection cable | Finely stranded Solid |
| Width | 400 mm |
| Height | 84 mm |
| Length | 520 mm |
| Impact strength (IEC 62262) | IK10 |
| Mounting | With bracket, SS304 |
| Weight | 15 kg |
| Weight | 33.07 lb |

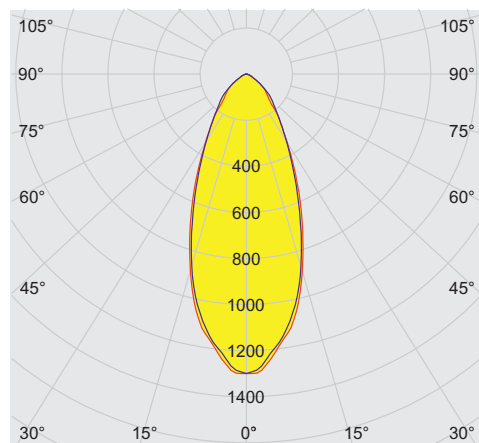
Mounting / Installation

| | |
|---------------------|----------|
| Note about mounting | Provided |
|---------------------|----------|

Components

| | |
|--------------------------|----------------------------|
| Drilled holes | 3 x M25 |
| Cable glands and entries | CMP-25A2F 1 x M25 x 1.5 |
| Stopping plugs | 2 x M25 x 1.5 |
| Stopping plug material | Polyamide, black |

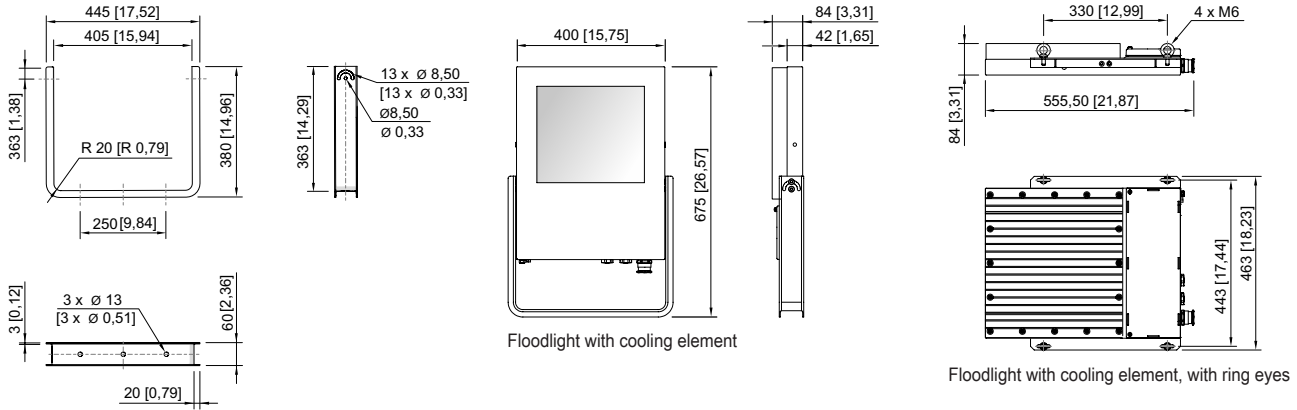
Light Distribution Curves



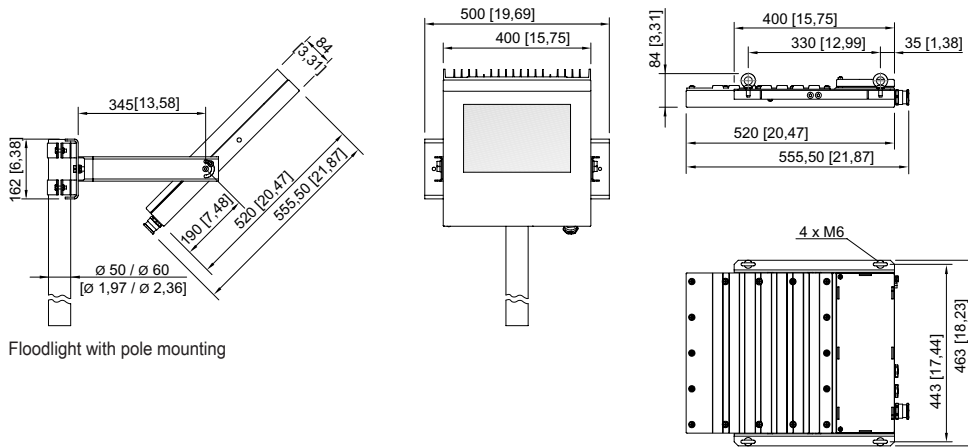
cd/klm 100%
 — C0 - C180 — C90 - C270
 typ. medium beam

6525/2222-3501-6015-331 Art. No. 284539

Dimensional Drawings (All Dimensions in mm [inches]) – Subject to Alterations



Mounting bracket



6525/2222-3501-6015-331 Art. No. 284539



Accessories

Breather



| | Art. No. |
|---|----------|
| Thread: M20 x 1.5 (1 piece); for installation in light fittings; made from stainless steel; without jam nut | 323702 |
| Thread: M25 x 1.5 (1 piece); for installation in light fittings; made from stainless steel; without jam nut | 296608 |

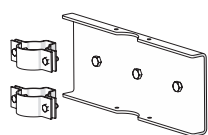
Mounting set



for pendant mounting with ring bolts included - stainless steel SS316L (1.4404 or V4A) without powder coating

Art. No.

257464



for pole mounting with pole diameter of 50 mm - stainless steel SS316L (1.4404 or V4A) without powder coating

Art. No.

283361

for pole mounting with pole diameter of 60 mm - stainless steel SS316L (1.4404 or V4A) without powder coating

Art. No.

263824

Ring bolt



M6 (4 pieces), direct mounting in insert nuts

Art. No.

254234

Mounting bracket



Sheet steel, single powder coated

Art. No.

244604

Stainless steel SS316L (1.4404 or V4A) without powder coating

Art. No.

221589

6525/2222-3501-6015-331 Art. No. 284539

We reserve the right to make alterations to the technical data, dimensions, weights, designs and products available without notice. The illustrations cannot be considered binding.