

Control and signalling devices

Control device system Series ConSig 8040

2-pole control switch with switch insert 8008

8040/12E8X-36I06SF12 Art. No. 287029



ConSig



- Quad certified control stations (NEC®, CE Code, ATEX, IECEx)
- Lightweight enclosure made of glass fibre reinforced polyester (FRP), excellent for corrosive atmospheres
- Offers a variety of pushbuttons, illuminated pushbuttons, control switches and LEDs for different configurations
- Customisable control stations available upon request with different entry, contact options and additional certifications

MY R. STAHL 8040E



R. STAHL's series 8040 NEC® / CE Code control stations utilize explosion-protected components with non-metallic enclosures for the ultimate flexibility, safety and durability in hazardous and hostile locations. Choose from one of the standard versions or contact us for a customised solution.

Technical Data

Explosion Protection

| | |
|---------------------------------|--|
| Area of application | European Union (ATEX) Canada IECEx USA |
| Application range (zones) | 1, 2, 21, 22 |
| IECEx gas certificate | IECEx PTB 06.0025 |
| IECEx gas explosion protection | Ex db eb IIC T6 Gb |
| IECEx dust certificate | PTB 01 ATEX 1105 |
| IECEx dust explosion protection | Ex tb IIIC T80 °C Db |
| ATEX gas certificate | PTB 01 ATEX 1105 |
| ATEX gas explosion protection | ⊕ II 2 G Ex db eb IIC T6 Gb |
| ATEX dust certificate | PTB 01 ATEX 1105 |
| ATEX dust explosion protection | ⊕ II 2 D Ex tb IIIC T80 °C Db |
| Certificate ULus | E182378V1S5 |
| Marking ULus | Class I, Div. 2, Groups A,B,C,D Class II, III, Div. 2, Groups F,G Class I, Zone 1, AEx db eb IIC T6 Enclosure Type 3, 4, 4X |
| Certificate cUL | E182378V1S5 |
| Marking cUL | Ex db eb IIC T6 Class I, Div. 2, Groups A,B,C,D Class II, III, Div. 2, Groups F,G Enclosure Type 3, 4, 4X |
| Certificates | ATEX (PTB), Brazil (ULB), Canada (UL), China (NEPSI), IECEx (PTB), India (PESO), Korea (KGS), Taiwan (ITRI), USA (UL) |
| Ship approval | DNVGL |
| Notes | Product label for standard configurations as NEC®, CE Code, ATEX, and IECEx. For additional certifications, contact factory. |

Electrical Data

| | |
|------------------------------|-------|
| AC rated operational voltage | 690 V |
|------------------------------|-------|

Control and signalling devices



Control device system Series ConSig 8040
2-pole control switch with switch insert 8008
8040/12E8X-36I06SF12 Art. No. 287029

Electrical Data

| | |
|---------------------------|------|
| Rated operational current | 16 A |
|---------------------------|------|

Ambient Conditions

| | |
|---------------------|--------------------|
| Ambient temperature | -50 °C ... 40 °C |
| Ambient temperature | -58 °F ... +104 °F |

Mechanical Data

| | |
|--|--|
| Degree of protection IP (IEC 60529) | IP66 |
| Enclosure type (UL50 & UL50E) | 3, 4, 4X |
| Enclosure material | Polyester resin, Glass fibre reinforced |
| Enclosure colour | Dark grey |
| Silicone-free | No |
| Clamping range AWG | 14 AWG |
| Connection cross-section max. | 2.5 mm ² |
| Solid connection cross section | 0.32 – 2.5 mm ² |
| Connection cross-section AWG single stranded | 22 AWG ... 14 AWG |
| Finely stranded connection cross section | 0.32 – 2.5 mm ² |
| Finely stranded connection cross-section AWG | 22 AWG ... 14 AWG |
| Cover fixing type | With captive screws, M4 stainless steel screws |
| Width | 80 mm |
| Width, inches | 3.15 in |
| Height | 139 mm |
| Height in inches | 5.47 in |
| Depth | 72 mm |
| Depth in inches | 2.76 in |
| Seal | Silicone, foamed |
| Weight | 857 g |

Mounting / Installation

| | |
|---|-------------|
| Tightening torque of cover screw 1 | 1.4 N · m |
| Tightening torque of cover screw 1 lbf in | 12.4 lbf in |

Components

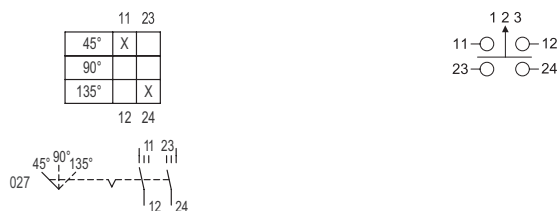
| | |
|--|--|
| Installation position middle | Large handle, HAND-0-AUTO (2x 45°), With silicone seal |
| Built-in element middle | Control switch 027 |
| Number of poles on centre built-in element | 2 |
| Flange and plates | Metal plate, bottom |
| Cable glands and entries | NPT 3/4 |
| Entry type | CMP |
| Entry 1 type | Metal adaptor |
| Entry 1 | NPT 3/4" |
| Metal entry possible 1 | Yes |

Control and signalling devices



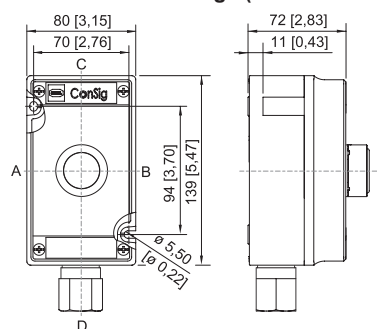
Control device system Series ConSig 8040
2-pole control switch with switch insert 8008
8040/12E8X-36I06SF12 Art. No. 287029

Technical Drawings – Subject to Alterations



Switching arrangement 8008/-027

Dimensional Drawings (All Dimensions in mm [inches]) – Subject to Alterations



ConSig 8040/12 NEC

Accessories

Cylinder lock



for closing (bracket Ø 3)

Art. No.

107115

Rotary actuator Maxi BG736



8602C3-736-S-XXX-E08

Ø 64 mm

Handle colour: Black

Protective collar colour: Black

Front panel mounting

-60 °C ... 70 °C

Silicone-free: No

Lockable option (max. 3 times) can be determined using the enclosed closing parts.

Lockable handle position: Not defined.

In the unmounted assemblies, the standard label is 0/OFF-I/ON and the long coupling part is enclosed.

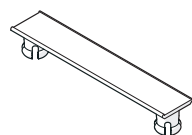
Other labels must be ordered separately.

Art. No.

318418

Spare Parts

Tag label



plain

for attaching to enclosure 8040; moulded material;
with paper insert strip

Art. No.

130673

Control and signalling devices

Control device system Series ConSig 8040
2-pole control switch with switch insert 8008
8040/12E8X-36I06SF12 Art. No. 287029



We reserve the right to make alterations to the technical data, dimensions, weights, designs and products available without notice. The illustrations cannot be considered binding.