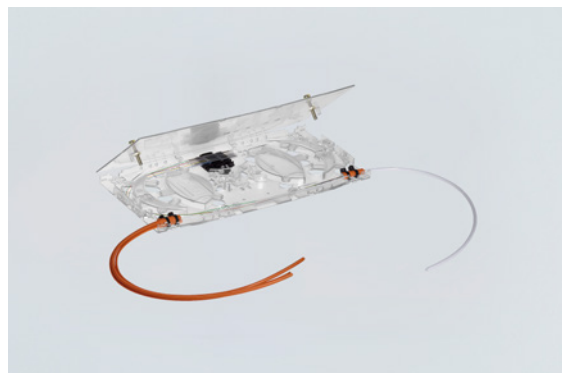


8186/1 Art. No. 203633



- For installation in a protective enclosure according to DIN EN 60079-0
- Standard and customer-specific enclosure versions available
- For correct and time-saving FO installation in Zones 1 and 2
- With one or two splice protector holders for mounting 6 or 12 fibre optic cables
- Integrated crossing field for crossing fibres with limited bending radius
- FO supply possible on all four sides
- Simple mounting

MY R. STAHL 8186A



The Series 8186 optical fibre splice cassette for Zone 1 enables the proper and time-saving connection of fibre optic cables in hazardous areas. The splice cassette provides space for a total of 2 splice protector holders. When using one splice protection holder, up to 6 fibre optic cables can be installed, or up to 12 fibre optic cables with two splice protection holders. The splice cassette is used, for example, in connection chamber enclosures as a transfer point between the flameproof control panels and network or as a connection point between the fibre optic cables. The splice cassette is available for use in gas hazardous areas or dust hazardous areas for installation in a protective enclosure according to DIN EN 60079-0, which is suitable for the provided operating location. Pre-assembled and customer-specific enclosure solutions for various applications are available.

Technical Data

Explosion Protection

Application range (zones)	1, 2
IECEX gas certificate	IECEX PTB 10.0060 U
IECEX gas explosion protection	Ex op pr IIC Gb
ATEX gas certificate	PTB 10 ATEX 2015 U
ATEX gas explosion protection	Ex II 2 G Ex op pr IIC Gb
Certificates	ATEX (PTB), Brazil (ULB), IECEX (PTB)
Declaration of conformity	Certificate of conformity (ATEX)

Electrical Data

Frequency	10 GHz 1 GHz 100 MHz 10 MHz
-----------	--------------------------------------

Ambient Conditions

Ambient temperature	-55 °C ... +75 °C
Ambient temperature	-67°F ... +167°F

Mechanical Data

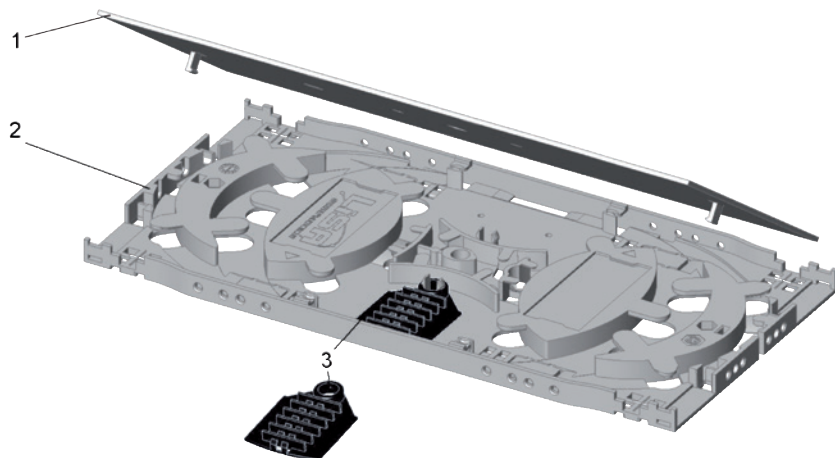
Enclosure material	Polycarbonate, flame-resistant, Halogen-free, UL94 V-0
Flame-retardant	UL94 V-0
Weight	105 g
Weight	0.23 lb

Mounting / Installation

Mounting type	Mounting plate
---------------	----------------

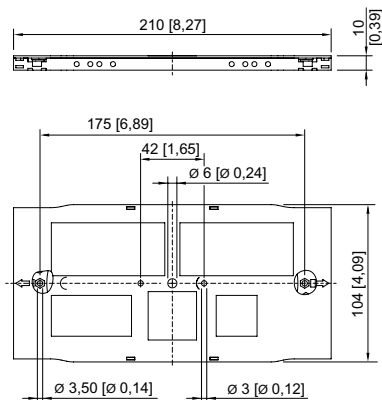
8186/1 Art. No. 203633

Technical Drawings – Subject to Alterations



Overview of optical fibre splice cassette
1 = Cover, 2 = Splice cassette, 3 = 6-way splice protector holder

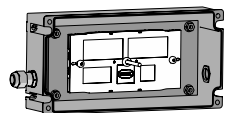
Dimensional Drawings (All Dimensions in mm [inches]) – Subject to Alterations



Accessories

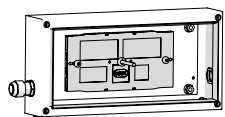
Control panel with optical fibre splice cassette

Art. No.



8146/5071+ 8186 (1 x 6-way FO splice cassette)
Polyester resin, Glass fibre reinforced

257034

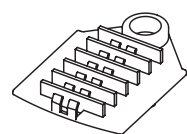


Enclosure 8150/5-0360-0176-091-3311+ 8186 (1 x 6-way FO splice cassette)
Stainless steel 1.4404, (AISI 316L), brush finished

241704

Accessories set, 6-way splice protector holder

Art. No.



For max. 6 fibre optic cables
8186 optical fibre splice cassette accessories set
1x 6-way splice protector holder
6x shrink splice protector, 2x cable tie

203682

We reserve the right to make alterations to the technical data, dimensions, weights, designs and products available without notice. The illustrations cannot be considered binding.