

Lighting

Compact light fitting Emergency luminaire

With ILS

6102/111-0130-150-0111-31-0850-00 Art. No. 287788



- Suitable for wall, ceiling and suspended mounting
- With either DALI or address module
- Emergency exit signs with suspended panel so that they can be read from both sides
- Large recognition range $d \geq 30$ m
- Lightweight, robust and compact design

MY R. STAHL 6102A



The Series C-LUX 6102 compact light fittings can be used for normal lighting or as emergency luminaires in conjunction with emergency exit signs and/or an address module for use in central battery systems.

Technical Data

Explosion Protection

Area of application	European Union (ATEX) IECEX
Ex version	Yes
Application range (zones)	1, 2, 21, 22
IECEX gas certificate	IECEX IBE 19.0016
IECEX gas explosion protection	Ex db eb ib op is IIC T4 Gb
IECEX dust certificate	IECEX IBE 19.0016
IECEX dust explosion protection	Ex tb op is IIIC T100 °C Db
ATEX gas certificate	IBExU 19 ATEX 1072
ATEX gas explosion protection	Ⓔ II 2 G Ex db eb ib op is IIC T4 Gb
ATEX dust certificate	IBExU 19 ATEX 1072
ATEX dust explosion protection	Ⓔ II 2 D Ex tb op is IIIC T100 °C Db
Certificates and approvals	ATEX IECEX UKEX
Certificates	ATEX (IBE), Brazil (ULB), China (NEPSI), IECEX (IBE), Polen (CNBOP)
Ship approval	DNVGL
Declaration of conformity	ATEX (EUK), Declaration of Conformity (AUS)

Electrical Data

Frequency range	50 Hz
AC operating voltage	220 ... 240 V
DC operating voltage	194 ... 250 V
Control interface	Internal address module

Lighting Data

Lamp	LED
Light colour	Cool white
Light distribution	2 x 15° (without light attachment)
Luminaire efficacy	80 lm/W

Lighting

Compact light fitting Emergency luminaire

With ILS

6102/111-0130-150-0111-31-0850-00 Art. No. 287788



Lighting Data

Luminous flux	775 lm
Luminous flux	775 lm
Colour rendering	≥ 80
Colour temperature	5000 K
Colour temperature	5000 K

Ambient Conditions

Ambient temperature	-30 °C ... +50 °C Note: Through wiring Max. 3x16 A -30 °C ... +60 °C Note: Through wiring 2 Max. 3x10 A
---------------------	--

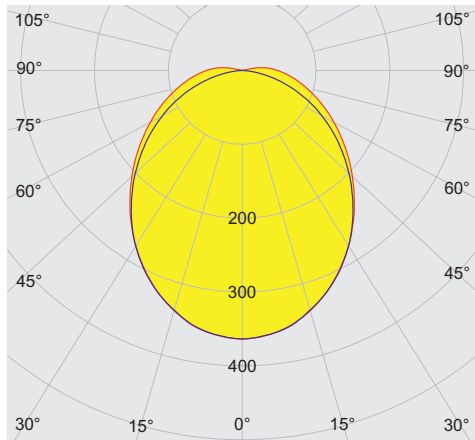
Mechanical Data

IP degree of protection (IEC 60598)	IP66 / IP67
Class	I
Enclosure material	Thermoset
Enclosure colour	Light grey (RAL 7035)
Cover material	Polycarbonate
Sealing material	Silicone
Silicone-free content	Without influence on paint wetting
Installed terminal strip	PE + N- + L+ + L" + N"
Max. solid connection terminals	6 mm ²
Max. finely stranded connection terminals	4 mm ²
Type of connection cable	Finely stranded Solid
Size	1
Width	185 mm
Height	90 mm
Length	440 mm
Impact strength (IEC 62262)	IK08
Weight	2.93 kg
Weight	6.46 lb
Disconnection of the luminaire	No

Components

Variant	Without diffuser 15°
Threaded plate	Plastic
Ballast	6045/312-842-20 AC/DC int. ADR
Through wiring	Loop in/loop out
Drilled holes	3 x M25
Cable glands and entries	2 x M25 Ø 7 ... 17 mm
Stopping plugs	2 x M25 x 1.5
Stopping plug material	Polyamide, black
Breather	without
Accessories	Provided

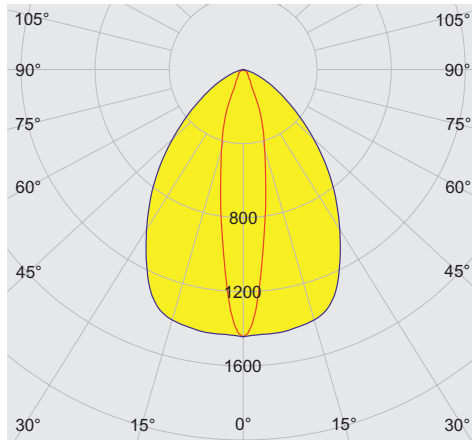
Light Distribution Curves



cd/klm $\eta = 99\%$

— C0 - C180 — C90 - C270

With diffuser

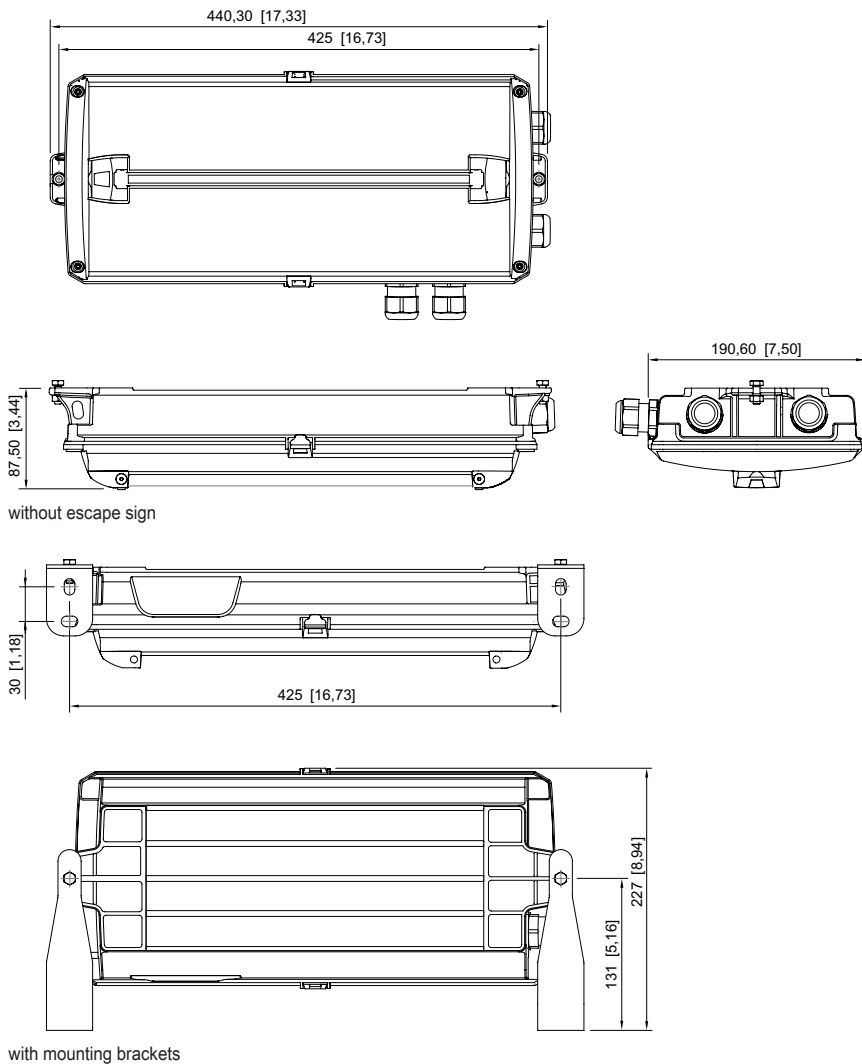


cd/klm $\eta = 98\%$

— C0 - C180 — C90 - C270

Without diffuser

Dimensional Drawings (All Dimensions in mm [inches]) – Subject to Alterations



without escape sign

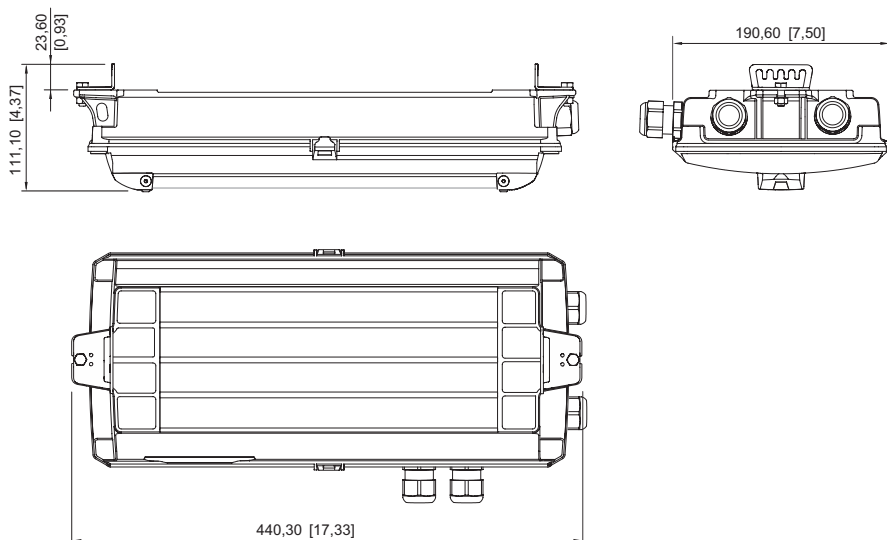
with mounting brackets

Lighting

Compact light fitting Emergency luminaire

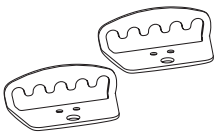
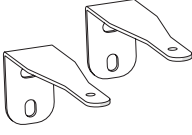





With ILS

6102/111-0130-150-0111-31-0850-00 Art. No. 287788



for rope/chain mounting

Accessories

Fastening set		Art. No.
	for chain/rope assembly	275407
	for wall mounting	275408
Light panel		Art. No.
	Escape route double sided	275872
	Escape route, down	274776
	Escape route, up	274758
	Escape route, down double-sided	274780
	Escape route, left	274757

Lighting

Compact light fitting Emergency luminaire



With ILS

6102/111-0130-150-0111-31-0850-00 Art. No. 287788



	Escape route, right	274775
	Escape route left/right double-sided	274773
	Escape route stairs, down left	274777
	Escape route stairs, down right	274778
	Escape route stairs, down double-sided	274779
	Escape route stairs, up left	274759
	Escape route stairs, up right	274760
	Escape route stairs, up double-sided	274771
	Escape route, up double-sided	274772
	EXIT	275514

Spare Parts

Optic		Art. No.
	Diffuser	274756
	Deflection optics	274781

We reserve the right to make alterations to the technical data, dimensions, weights, designs and products available without notice. The illustrations cannot be considered binding.