

Lighting

Compact light fitting Emergency luminaire

With battery

6109/111-0111-180-0111-31-1850-A11 Art. No. 287816



- Suitable for wall, ceiling and suspended mounting
- Operating modes: Continuous mode, continuous mode with switchable emergency lighting
- With function and rated operating time test with optional DALI technology
- Large recognition range $d \geq 30$ m
- Emergency exit signs with suspended panel so that they can be read from both sides
- Lightweight, robust and compact design

MY R. STAHL 6109A



C-LUX 6109 series compact emergency luminaires can be used for emergency lighting, as well as for indication or escape route luminaires.

Technical Data

Explosion Protection

| | |
|---------------------------------|---|
| Area of application | European Union (ATEX) IECEX |
| Ex version | Yes |
| Application range (zones) | 1, 2, 21, 22 |
| IECEX gas certificate | IECEX IBE 19.0016 |
| IECEX gas explosion protection | Ex db eb ib op is IIC T4 Gb |
| IECEX dust certificate | IECEX IBE 19.0016 |
| IECEX dust explosion protection | Ex tb op is IIIC T100 °C Db |
| ATEX gas certificate | IBExU 19 ATEX 1072 |
| ATEX gas explosion protection | Ex II 2 G Ex db eb ib op is IIC T4 Gb |
| ATEX dust certificate | IBExU 19 ATEX 1072 |
| ATEX dust explosion protection | Ex II 2 D Ex tb op is IIIC T100 °C Db |
| Certificates and approvals | ATEX IECEX UKEX |
| Certificates | ATEX (IBE), Brazil (ULB), China (NEPSI), IECEX (IBE), Polen (CNBOP) |
| Ship approval | DNVGL |
| Declaration of Conformity | ATEX (EUK), Declaration of Conformity (AUS) |

Electrical Data

| | |
|---------------------------|------------------------------------|
| Battery version | NiCd battery, gas-tight |
| Battery operating voltage | 6 V |
| Battery capacity | 2.2 Ah |
| Self-test function | Function and battery duration test |
| Frequency range | 50 – 60 Hz |
| AC operating voltage | 100 to 240 V |
| Control interface | DALI |

Lighting Data

| | |
|--------------------|--------|
| Lamp | LED |
| Luminaire efficacy | 0 lm/W |

Lighting

Compact light fitting Emergency luminaire

With battery

6109/111-0111-180-0111-31-1850-A11 Art. No. 287816



Lighting Data

| | |
|------------------------|---------------------------------------|
| Luminous flux | 0 lm |
| Operating time | 1.5 / 3h emergency lighting operation |
| Emergency light output | 25% – 3 h 50% – 1.5 h |

Ambient Conditions

| | |
|---------------------|--|
| Ambient temperature | -30°C ... +50°C Note: Through wiring Max. 3x16 A -30°C ... +60°C Note: Through wiring 2 Max. 3x10 A |
|---------------------|--|

Mechanical Data

| | |
|---|------------------------------------|
| IP degree of protection (IEC 60598) | IP66 / IP67 |
| Class | I |
| Enclosure material | Thermoset |
| Enclosure colour | Light grey (RAL 7035) |
| Cover material | Polycarbonate |
| Sealing material | Silicone |
| Silicone-free content | Without influence on paint wetting |
| Pane material | PMMA |
| Installed terminal strip | PE+N+L1+L2+L3+L"+D1+D2 |
| Max. solid connection terminals | 6 mm ² |
| Max. finely stranded connection terminals | 4 mm ² |
| Type of connection cable | Finely stranded Solid |
| Size | 1 |
| Width | 185 mm |
| Height | 240 mm |
| Length | 440 mm |
| Impact strength (IEC 62262) | IK08 |
| Weight | 4 kg |
| Weight | 8.82 lb |
| Disconnection of the luminaire | No |

Components

| | |
|--------------------------|--|
| Variant | Escape route to the right Single-sided |
| Threaded plate | Plastic |
| Ballast | 6046/311-841-061 NLE DALI |
| Through wiring | Loop in/loop out |
| Drilled holes | 3 x M25 |
| Cable glands and entries | 2 x M25 Ø 7 ... |
| Stopping plugs | 2 x M25 x 1.5 |
| Stopping plug material | Polyamide, black |
| Breather | without |
| Accessories | Provided |

Lighting

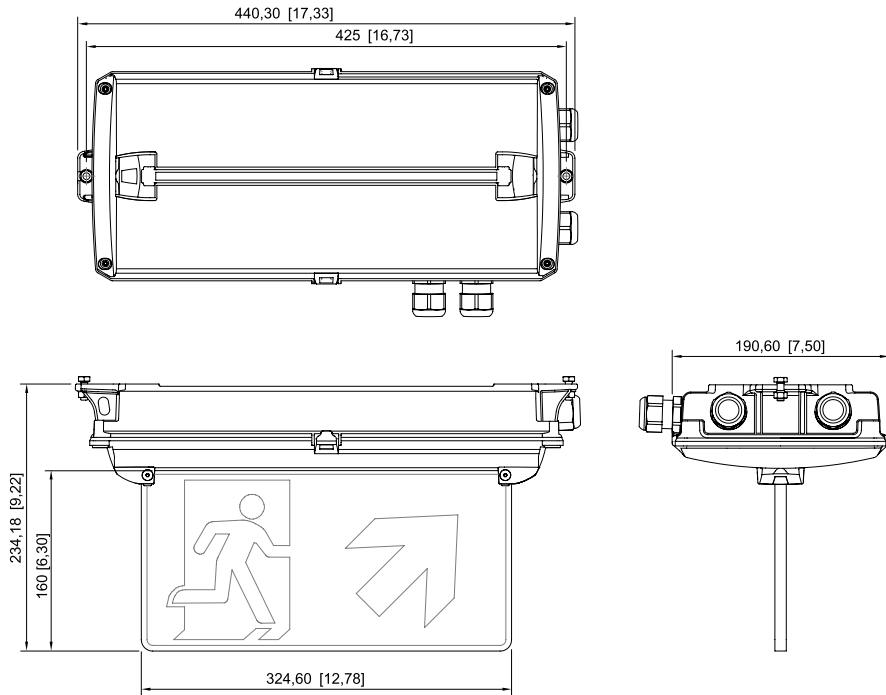
Compact light fitting Emergency luminaire

With battery

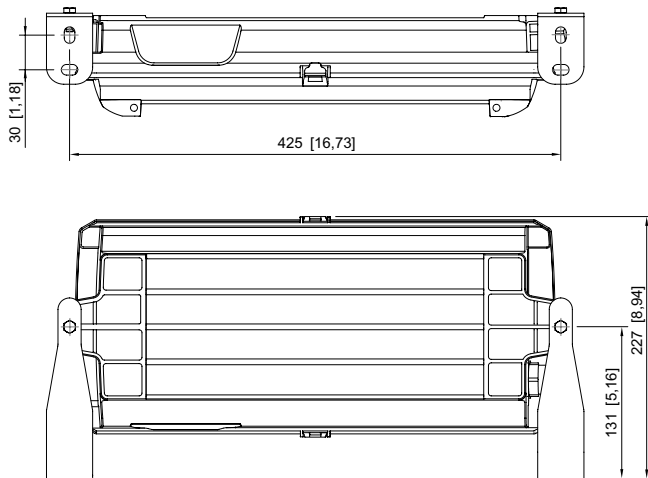
6109/111-0111-180-0111-31-1850-A11 Art. No. 287816



Dimensional Drawings (All Dimensions in mm [inches]) – Subject to Alterations



with escape sign



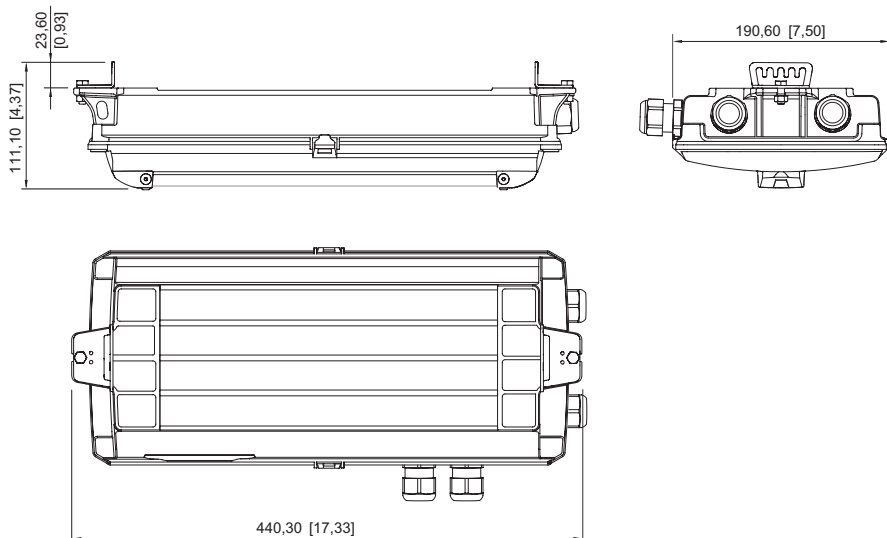
with mounting brackets

Lighting

Compact light fitting Emergency luminaire

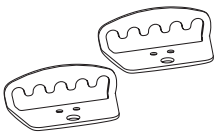
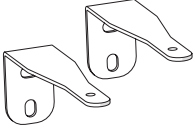





With battery

6109/111-0111-180-0111-31-1850-A11 Art. No. 287816



for rope/chain mounting

Accessories

| Fastening set | | Art. No. |
|--|---------------------------------|----------|
|  | for chain/rope assembly | 275407 |
|  | for wall mounting | 275408 |
| Light panel | | Art. No. |
|  | Escape route double sided | 275872 |
|  | Escape route, down | 274776 |
|  | Escape route, up | 274758 |
|  | Escape route, down double-sided | 274780 |
|  | Escape route, up double-sided | 274772 |


Lighting

Compact light fitting Emergency luminaire

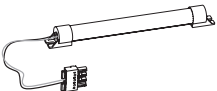

With battery

6109/111-0111-180-0111-31-1850-A11 Art. No. 287816

STAHL

| | | |
|--|--|--------|
|  | Escape route, left | 274757 |
|  | Escape route, right | 274775 |
|  | Escape route left/right double-sided | 274773 |
|  | Escape route stairs, down left | 274777 |
|  | Escape route stairs, down right | 274778 |
|  | Escape route stairs, down double-sided | 274779 |
|  | Escape route stairs, up left | 274759 |
|  | Escape route stairs, up right | 274760 |
|  | Escape route stairs, up double-sided | 274771 |
|  | EXIT | 275514 |

Spare Parts

| Battery set | | Art. No. |
|--|---------------------------------------|----------|
|  | NiCd battery, gas-tight; 2.2 Ah / 6 V | 273190 |
| Optic | | Art. No. |
|  | Diffuser | 274756 |

Lighting

Compact light fitting Emergency luminaire

With battery

6109/111-0111-180-0111-31-1850-A11 Art. No. 287816



Deflection optics

274781

We reserve the right to make alterations to the technical data, dimensions, weights, designs and products available without notice. The illustrations cannot be considered binding.