

8146/1093-C924 Art. No. 136160



- Cable end boxes for terminals up to 185 mm²
- Degree of protection IP66
- Rated operational current depending on enclosure version up to 400 A

MY R. STAHL 8146B



R. STAHL Series 8146 cable end boxes comprise robust glass fibre reinforced Ex e enclosures. They are equipped with terminals up to 185 mm². These are suitable for voltages up to 690 V, the rated operational current is max. 400 A depending on the enclosure version. The incoming and outgoing leads are fed into the enclosures via cable glands.

Technical Data

Explosion Protection

Area of application	European Union (ATEX) IECEX
Application range (zones)	1, 2, 21, 22
IECEX gas certificate	IECEX PTB 06.0046
IECEX gas explosion protection	Ex eb IIC T6 / T5 Gb
IECEX dust certificate	IECEX PTB 06.0046
IECEX dust explosion protection	Ex tb IIIC T80 °C / T95 °C Db
ATEX gas certificate	PTB 01 ATEX 1016
ATEX gas explosion protection	⊕ II 2 G Ex eb IIC T6 / T5 Gb
ATEX dust certificate	PTB 01 ATEX 1016
ATEX dust explosion protection	⊕ II 2 D Ex tb IIIC T80 °C / T95 °C Db
Certificates	ATEX (PTB), Canada / USA (UL), IECEX (PTB)

Electrical Data

Rated operational voltage AC	690 V
Rated operational current max.	315 A / T6 355 A / T5

Ambient Conditions

Ambient temperature	-30 °C ... +40 °C (T6) -30 °C ... +45 °C (T5)
---------------------	--

Mechanical Data

IP degree of protection (IEC 60529)	IP66
Enclosure material	Polyester resin, Glass fibre reinforced
Enclosure colour	Dark grey
Flammability according to	IEC/EN 60695 UL 94 ASTM D635
Silicone-free	No
Connection cross-section	185 mm ²

8146/1093-C924 Art. No. 136160

Mechanical Data

Cover thickness	2.8 mm
Cover thickness in inches	0.11 in
Wall thickness	2.8 mm
Wall thickness in inches	0.11 in
Width	681.5 mm
Width, inches	26.831 in
Height	340.5 mm
Height in inches	13.4060 in
Depth	150 mm
Depth in inches	5.906 in
Weight	14 kg
Weight	30.86 lb

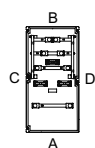
Mounting / Installation

Tightening torque lbf in	0 lbf-in
Tightening torque of cover screw 1	4.5 Nm
Tightening torque of cover screw 1 lbf in	39.83 lbf in

Components

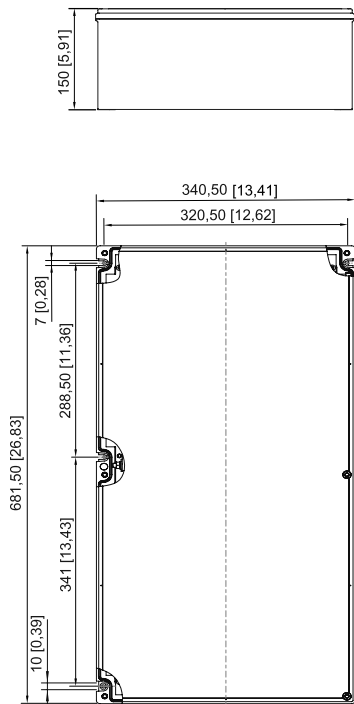
Flange and plates	Brass plate
Entry 1	2 x Threaded holes without cable entry M75
Type of terminals 1	6 x M12 bolt-type terminal 1-conductor, 185 mm ²
Type of terminals PE 1	2 x M12 bolt-type terminal 1-conductor, 185 mm ² , green-yellow

Technical Drawings – Subject to Alterations



8146/1093-C924 Art. No. 136160

Dimensional Drawings (All Dimensions in mm [inches]) – Subject to Alterations



8146/1093-C924

We reserve the right to make alterations to the technical data, dimensions, weights, designs and products available without notice. The illustrations cannot be considered binding.