

8208/24-08-04k7 Art. No. 140713



- Flameproof potentiometer
- Continuous adjustment of process parameters
- Four screw terminals each with two clamping units with increased safety (Ex e)
- Large clamping range for solid or stranded conductors
- For installation in an Ex e enclosure on a toothed mounting rail

MY R. STAHL 8208B



The flameproof potentiometer in the 8208 universal enclosure is used to continuously adjust process parameters in hazardous areas. This compact device is designed for installation in enclosures with increased safety (Ex e) type of protection. It is mounted on a toothed mounting rail. Four Ex e screw terminals each with two clamping units are available for the electrical connection. We recommend using potentiometer bezel 8602C3-092 for operation.

Technical Data

Explosion Protection

Application range (zones)	1, 2
IECEX gas certificate	IECEX PTB 06.0032 U
IECEX gas certificate	IECEX PTB 06.0032 U
IECEX gas explosion protection	Ex db eb IIC T6 Gb
ATEX gas certificate	PTB 01 ATEX 1066 U
ATEX gas certificate	PTB 01 ATEX 1066 U
ATEX gas explosion protection	Ex II 2 G Ex db eb IIC T6 Gb
PESO gas certificate	P148651
PESO gas explosion protection	Ex db eb IIC T6 Gb
Inmetro gas certificate	ULBR140223U
Certificates	ATEX (PTB), Brazil (ULB), China (CQST), IECEX (PTB), SIL (exida)

Electrical Data

Rated operational voltage AC	500 V
DC rated operational voltage	500 V
Rated operational voltage note	when switching instrumentation and control circuits: 8 to 30 V DC
Rated operational current note	when switching instrumentation and control circuits: 2 to 20 mA DC
Rated operational power	2 W
Maximum resistance R_{max}	4.7 k Ω

Ambient Conditions

Ambient temperature	-55 °C ... +60 °C
Note	see "Max. power" table

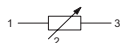
8208/24-08-04k7 Art. No. 140713

Max. power	Maximum internal heat distribution (connection with 1.5 mm ² conductor cross-section and maximum 5 A)	
	Ambient temperature	Ambient temperature
	max. 40 °C	max. 60 °C
	T _{surface} = max. 80 °C	T _{surface} = max. 80 °C
	2.0 W	1.0 W

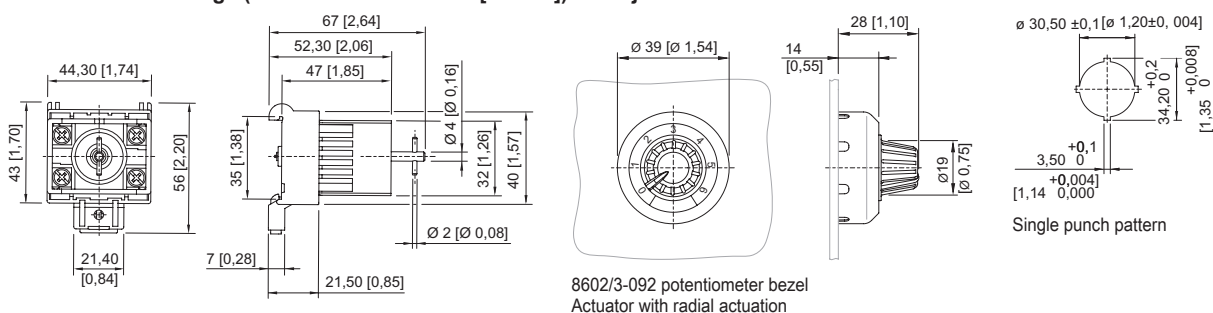
Mechanical Data

Version	with potentiometer
Enclosure material	Polyamide
Silicone-free	Yes
Connection cross-section	2.5 mm ²
Max. connection cross-section, finely stranded	2,5 mm ²
Solid connection cross section	1.5 – 2.5 mm ²
Finely stranded connection cross section	1.5 – 2.5 mm ²
Connection cross-section, finely stranded with core end sleeve	1.5 – 2.5 mm ²
Type of connection cable	Finely stranded Solid
Weight	90 g
Weight	0.2 lb
Note	A fuse suitable for the rated operational current of the potentiometer (max. 3I _b according to IEC 60127-2-1) must be connected upstream of each potentiometer to provide short-circuit protection.

Technical Drawings – Subject to Alterations



Dimensional Drawings (All Dimensions in mm [inches]) – Subject to Alterations



Accessories

Actuators

	Designation plate: 0 to 6, 0 to 10, and 0 to 100 Seal: Standard	Art. No. 244640
	Designation plate: 0 to 6, 0 to 10, and 0 to 100 Seal: Silicone	Art. No. 244641

Control and signalling devices

Control unit With potentiometer



8208/24-08-04k7 Art. No. 140713

We reserve the right to make alterations to the technical data, dimensions, weights, designs and products available without notice. The illustrations cannot be considered binding.