

8265/03-0010 Art. No. 143415



- Six basic enclosure sizes, optional inspection windows, direct and indirect cable entry possible
- International certification, wide temperature range, seawater-resistant light-metal enclosure
- Suitable series 8146/8150 connection-chamber enclosures possible

MY R. STAHL 8265A



R. STAHL series 8265 Ex d enclosures are ideal for motor control units, control boxes and terminal boxes. We equip these with various components, including sparking equipment, according to customer requirements. The cable entry can be direct or indirect. The large cover opening makes commissioning and maintenance easier. Single enclosures are ideal as components in Ex e control systems. Optional, large inspection window possible.

Technical Data

Explosion Protection

Application range (zones)	1, 2, 21, 22
IECEX gas certificate	IECEX PTB 07.0027 U
IECEX gas explosion protection	Ex db eb IIC Gb
IECEX dust certificate	IECEX PTB 07.0027 U
IECEX dust explosion protection	Ex tb IIIC Db
ATEX gas certificate	PTB 06 ATEX 1023 U
ATEX gas explosion protection	Ex II 2 G Ex db eb IIC Gb
ATEX dust certificate	PTB 06 ATEX 1023 U
ATEX dust explosion protection	Ex II 2 D Ex tb IIIC Db
Certificates	ATEX (PTB), Brazil (ULB), China (NEPSI), IECEX (PTB), Taiwan (ITRI)
Ship approval	DNV
Declaration of Conformity	Certificate of conformity (ATEX), China (CCC)

Ambient Conditions

Ambient temperature	-50 °C ... +60 °C
Ambient temperature	-58°F ... +140°F

Mechanical Data

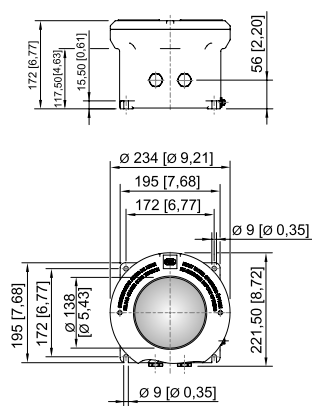
Degree of protection (IP)	IP54
Note on degree of protection	IP66 with O-ring silicone -60 °C ... +60 °C
Enclosure material	Aluminium, copper-free, Seawater-resistant
Enclosure colour	without
Material note	Where there will be direct contact with seawater, a coating is recommended.
Clamping range max.	95 mm ²
Cover	With inspection window
Design	Without entry
Width	195 mm
Width, inches	7.68 in

8265/03-0010 Art. No. 143415

Mechanical Data

Height	172 mm
Height in inches	6.77 in
Length	195 mm
Length in inches	7.68 in
Diameter	234 mm
Enclosure size	3
Weight	6.63 kg
Weight	14.62 lb

Dimensional Drawings (All Dimensions in mm [inches]) – Subject to Alterations



Enclosure size 3 with sight glass

Accessories

Mounting rail

		Art. No.
	G32 length: 133 mm [5.24 inch] for size 3 enclosure	137939
	TS35 length: 133 mm [5.24 inch] for size 3 enclosure	137970
	TS15 length: 133 mm [5.24 inch] for size 3 enclosure	137902

Threaded pin

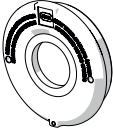

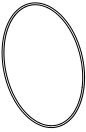
		Art. No.
	M5x16-A2 with hexagon socket and pointed tip	110216

Box spanner

		Art. No.
	for opening a size 1, 2, 3, 4 enclosure cover two box spanners are required	142059

8265/03-0010 Art. No. 143415

Spare Parts

Cover with sight glass		Art. No.
	for size 3 enclosure visible cut-out in the sight glass dia. 142 mm [5.59 inches]	143452
Mounting plate		Art. No.
	for enclosure size 3 M5 x 8 screws are not included in the delivery	143485
O-ring		Art. No.
	Silicone, for enclosure size 3	305500

We reserve the right to make alterations to the technical data, dimensions, weights, designs and products available without notice. The illustrations cannot be considered binding.