

8561/02-11 Art. No. 149234



- Easy to maintain due to use of standard DIAZED fuses
- Practical: Defective fuses easy to see from the outside
- For rated operational voltages up to 500 V and rated operational currents up to 63 A

MY R. STAHL 8561B



R. STAHL Series 8561/02 fuse elements primarily protect the consumer outputs in Ex e distribution fuse boards or offer back-up protection for the system. Since they are equipped with standard DIAZED system fuses, they are extremely easy to maintain and defective fuses are easy to see from the outside. They are designed for rated operational voltages up to 500 V and rated operational currents up to 63 A.

Technical Data

Explosion Protection

Application range (zones)	1 2
IECEX gas certificate	IECEX PTB 06.0063U
IECEX gas explosion protection	Ex de IIC
ATEX gas certificate	PTB 02 ATEX 1028 U
ATEX gas explosion protection	Ex II 2 G Ex de IIC
Certificates	ATEX (PTB), Brazil (ULB), IECEX (PTB)

Electrical Data

Rated operational voltage AC	500 V
Rated operational current	25 A

Ambient Conditions

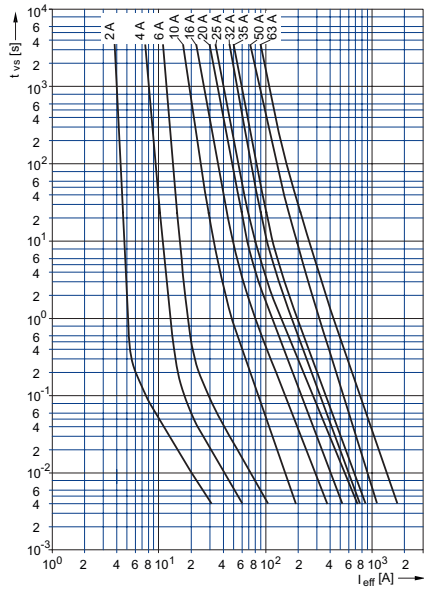
Ambient temperature	-20 °C ... +40 °C
---------------------	-------------------

Mechanical Data

Enclosure material	Epoxy resin
Fuse insert type	D II
Weight	785 g
Weight	1.73 lb

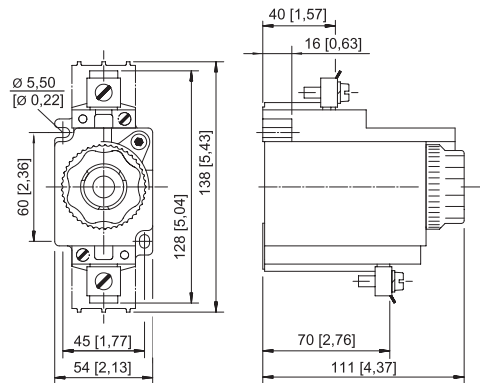
8561/02-11 Art. No. 149234

Technical Drawings – Subject to Alterations



Current/time characteristic for fuses
(tolerance max. $\pm 10\%$)

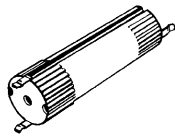
Dimensional Drawings (All Dimensions in mm [inches]) – Subject to Alterations



8561/02 Fuse element

Spare Parts

Adapter key



for replacement of adapter DIAZED

Art. No.

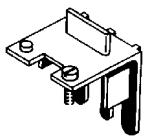
111660

8561/02-11 Art. No. 149234

Adapter screw

		Art. No.
	8561/02-11 10 A	111653
	8561/02-11 16 A	111654
	8561/02-11 20 A	111655
	8561/02-11 25 A	111656
	8561/02-11 2 A	111650
	8561/02-11 4 A	111651
	8561/02-11 6 A	111652

Cover for terminal connections

		Art. No.
	IP10 cover	149225

Fuse

		Art. No.
	8561/02-11 10 A	111273
	8561/02-11 2 A	111270
	8561/02-11 4 A	111271
	8561/02-11 6 A	111272
	8561/02-11 16 A	111274
	8561/02-11 20 A	111275
	8561/02-11 25 A	111276

We reserve the right to make alterations to the technical data, dimensions, weights, designs and products available without notice. The illustrations cannot be considered binding.