

# Components for system solutions

## Residual current Circuit breaker

### Circuit breaker

8562/54-4105-250 Art. No. 149663



- Modular component for residual current monitoring
- Can be used for pulsating direct currents and alternating currents
- Protection against contact voltages

MY R. STAHL 8562A



The R. STAHL Series 8562 residual current circuit breaker is a component for residual current monitoring and switches systems in the event of residual currents – for the reliable protection of persons in hazardous areas. It is suitable for pulsating direct currents and alternating currents and is designed for rated operational currents of 16, 25 or 40 A and rated residual currents of 10, 30, 100, 300 and 500 mA.

## Technical Data

| Explosion Protection           |   |
|--------------------------------|---|
| Application range (zones)      | 1, 2  |
| IECEX gas certificate          | IECEX PTB 06.0062U                                  |
| IECEX gas explosion protection | Ex de IIC T5 Gb                                     |
| IECEX firedamp certificate     | IECEX PTB 06.0062U                                  |
| IECEX firedamp protection      | Ex de I Mb  |
| ATEX gas certificate           | PTB 02 ATEX 1049 U                                  |
| ATEX gas explosion protection  | Ex II 2 G Ex de IIC T5 Gb                           |
| ATEX firedamp certificate      | PTB 02 ATEX 1049 U                                  |
| ATEX firedamp protection       | Ex I M2 Ex de I Mb                                  |
| FMus certificate               | 3033692   |
| cFM certificate                | 3033692C  |
| cCSA certificate               | 1850696   |
| Certificates                   | ATEX (PTB), Brazil (ULB), China (CQST), IECEX (PTB) |
| Electrical Data                |   |
| Rated operational current      | 25 A  |
| Type of voltage                | AC  |
| Rated residual current         | 0.03 A  |
| Auxiliary contacts             | Error signal  |
| Auxiliary contacts 2           | 1 change-over contact                               |
| N-pole present                 | Yes   |
| No. of poles                   | 4   |
| Ambient Conditions             |   |
| Ambient temperature            | -20 °C ... 60 °C                                    |
| Mechanical Data                |   |
| Degree of protection (IP)      | IP20  |
| Enclosure material             | Epoxy resin   |

# Components for system solutions

## Residual current Circuit breaker

### Circuit breaker

8562/54-4105-250 Art. No. 149663



#### Mechanical Data

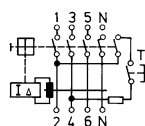
|                          |         |
|--------------------------|---------|
| Length                   | 156 mm  |
| Length in inches         | 6.14 in |
| Depth of cut-out         | 97.5 mm |
| Mounting depth in inches | 3.84 in |
| Weight                   | 1.8 kg  |
| Weight                   | 3.97 lb |

#### Technical Drawings – Subject to Alterations



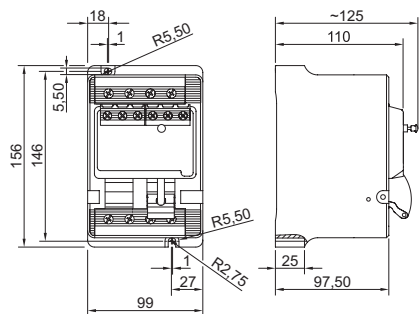
Fault signal contact 1 change-over contact for error signal

(only for types 8562/54-2465-160-4 and 8562/54-2475-4: After the switch trips, the fault message contact can be reset manually)



4-pole

#### Dimensional Drawings (All Dimensions in mm [inches]) – Subject to Alterations



Residual current circuit breaker, 4-pole, 8562/54-...

We reserve the right to make alterations to the technical data, dimensions, weights, designs and products available without notice. The illustrations cannot be considered binding.