

- For redundant FO network structures (Profibus DP, Modbus RTU) in hazardous areas of Zone 1
- "Ex op is" interface makes for easy installation and maintenance
- With diagnostics function for early error detection and signalling

MY R. STAHL 9186B



The Series 9186 fibre optic fieldbus isolating repeater transmits PROFIBUS DP and Modbus RTU signals over distances of up to 2 km as part of redundant fibre optic network structures. Standard plug connectors can be connected to the "Ex op is" inherently safe optical interfaces. The diagnostic functions detect critical signal conditions early and report them to the control room.

Technical Data

Explosion Protection

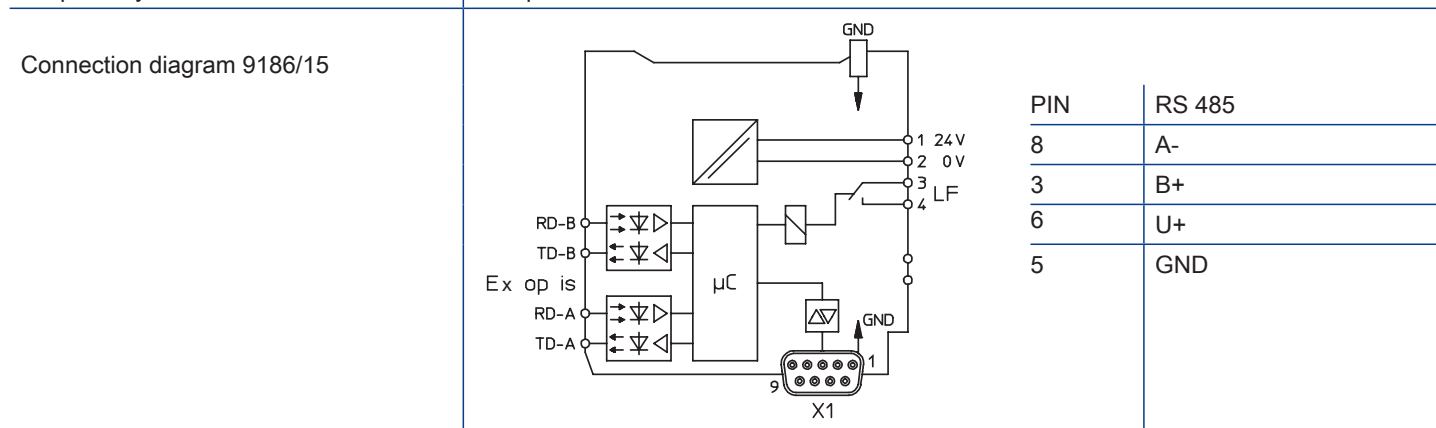
Application range (zones)	2
Ex interface zone	2, 22
IECEX gas certificate	IECEX BVS 13.0107 X
IECEX gas explosion protection	Ex nA nC [op is T6 Ga] IIC T4 Gc
IECEX dust certificate	IECEX BVS 13.0107 X
IECEX dust explosion protection	[Ex op is Da] IIIC
ATEX gas certificate	BVS 07 ATEX 068 X
ATEX gas explosion protection	⊕ II 3 (1) G Ex nA nC [op is T6 Ga] IIC T4 Gc
ATEX dust certificate	BVS 07 ATEX 068 X
ATEX dust explosion protection	⊕ II (1) D [Ex op is Da] IIIC
cULus certificate	E81680
Marking cULus	Class I, Zone 2, AEx/Ex nC Group IIC
Certificates	ATEX (BVS), Brazil (ULB), Canada (UL), IECEX (BVS), USA (UL)
Ship approval	CCS, EU RO MR (DNV)
Installation	Zone 2 and safe areas

Electrical Data

LFD relay	Yes
Protocols	HART over RS485 Modbus RTU PROFIBUS DP ServiceBus R.STAHL (IS1+)
Data rate	9.6 kbit/s ... 1.5 Mbit/s
Electric interface version	RS 485
Electric interface connection	Sub-D socket X1, 9-pole
Field side of interfaces	Fibre optics Ex opis
Protocols optical interface	Protocol-transparent with RS-485 interface

Electrical Data

Redundancy optical interface	Automatic changeover in the event of a line fault
Network structure	Line Ring Point-to-point
Optical interface connection	ST®, BFOC/2.5 socket
Optical interface transmission distance	≤ 2000 m
Data transmission display	green TD and RD
Error control	Auxiliary power failure: Fault message contact open Receiving level good: LED green and yellow "FO Signal", fault message contact closed Receiving level reduced (-1.5 dBm): LED yellow "FO Signal", fault message contact open Fibre breakage or receiving level too low (-3 dBm): LED red "FO ERR", fault message contact open
FO wavelength	850 nm
Compatibility	Compatible with series 9186



Auxiliary Power

Auxiliary power	24 V DC
Nominal voltage	24 V DC
Auxiliary power voltage range	18 ... 31.2 V
Voltage range residual ripple	≤ 3,6 V _{SS}
Nominal current	130 mA
Power consumption	3 W
Polarity reversal protection	Yes
Operation indication	Green "PWR" LED

Galvanic Isolation

Auxiliary power to RS-485	1.5 kV AC
---------------------------	-----------

Output

Fault message contact switching capacity	max. 60 V DC; 42 V AC; 0,46 A
Display error	Red "ERR" LED

Ambient Conditions

Ambient temperature	-20 °C ... +60 °C
Ambient temperature	-4°F ... +140°F
Storage temperature	-40°C ... +85°C
Storage temperature	-40°F ... +185°F
Maximum relative humidity	95%
Use at the height of	< 2000 m

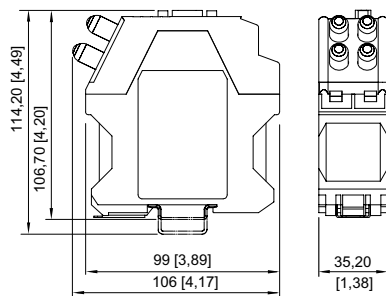
Mechanical Data

Degree of protection (IP)	IP30
Degree of protection (IP) terminals	IP20
Fire resistance (UL 94)	V0
Enclosure material	Polyamide
Min. rigid conductor cross section	0.2 mm ²
Max. rigid conductor cross section	2.5 mm ²
Min. flexible conductor cross section	0.2 mm ²
Max. flexible conductor cross section	2.5 mm ²
Connection cross-section	0.2 to 2.5 mm ² flexible 0.2 to 2.5 mm ² rigid 0.25 to 2.5 mm ² flexible with core end sleeve
Connection cross-section AWG	24 ... 14
Width	35.2 mm
Width, inches	1.38 in
Height	114.2 mm
Height in inches	4.49 in
Length	106 mm
Length in inches	4.17 in
Weight	244 g

Mounting / Installation

Grid dimension	35.2 mm
Mounting orientation	Vertical Horizontal
Connection type	Screw terminal

Dimensional Drawings (All Dimensions in mm [inches]) – Subject to Alterations



Type 9186/15

Accessories

Sub-D plug, RS-485



9-pin for connecting fieldbus or ServiceBus to CPU & power module Type 9440/15, 9185 field-busisolatingrepeater and 9786/15-12 media converter.
The end-of-line resistor is installed and switchable. For non-intrinsically safe RS-485.
Ambient temperature: -40 °C to +75 °C

Art. No.

105715

We reserve the right to make alterations to the technical data, dimensions, weights, designs and products available without notice. The illustrations cannot be considered binding.