



- Integrated terminal box
- All round lanterns are delivered with mounting bracket for 2" pipe
- Designed for use in arctic and tropical waters
- Resistant to vibrations
- Lens of through-coloured glass, no decolouration during the lifetime of the lantern.

MY R. STAHL T2850A



Extensively tested in rough environments, navigation lights from Tranberg are the obvious choice by many vessel designers, ship owners and yards throughout the world. Our products and services meet the highest quality standards, perform reliably and efficiently to exceed customers expectations and assure market competitiveness.

The design of Tranberg's navigation lights is based on many years of experience and research in the field of professional Marine lighting. Carefully selected materials are used to ensure maximum performance, low maintenance and long trouble free life.

Technical Data

Explosion Protection

Area of application	European Union (ATEX) IECEX
Application range (zones)	2
IECEX gas certificate	IECEX PRE 14.0055X
IECEX gas explosion protection	Ex nR IIC T5 Gc
ATEX gas certificate	PRESAFE 14 ATEX 5436X
ATEX gas explosion protection	Ⓔ II 3 G Ex nR IIC T5 Gc

Electrical Data

AC rated operational voltage	110 ... 230 V
Power	55 – 85 W

Lighting Data

Lamp	B22 lamp base
Lamp type	Allround light
Opening angle	360 °
Visibility range 20-50m	55W/35cd – min. 2 nm
Visibility range over 50m	85W/65cd – min. 3 nm

Ambient Conditions

Ambient temperature	-52 °C ... +45 °C
---------------------	-------------------

Mechanical Data

Degree of protection (IP) (IEC 60529)	IP56
Enclosure material	Aluminium, powder-coated
Material dome	Lens made of stained glass
Colour of glass	Green

TEF28505129 Art. No. 165892

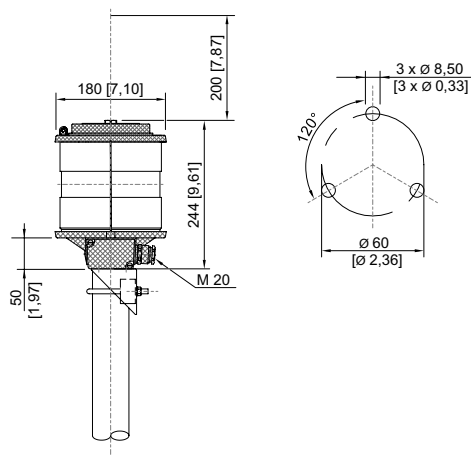
Mechanical Data

Type of connection cable	Finely stranded Solid
Width	180 mm
Height	244 mm
Length	180 mm
Weight	3.1 kg
Weight	6.83 lb

Components

Drilled holes	1 x M20
Cable glands and entries	1 x M20 Ø 9 ... 14.3 mm

Dimensional Drawings (All Dimensions in mm [inches]) – Subject to Alterations



TEF 2850 all round navigation light

Accessories

Lamp holder		Art. No.
	B22	165905
Light source		Art. No.
	65cd, B22, 230 V	165909
	65cd, B22, 120 V	165910
	35cd, B22, 230 V	165911
	35cd, B22, 120 V	165912
	35cd, B22, 24 V	165913

We reserve the right to make alterations to the technical data, dimensions, weights, designs and products available without notice. The illustrations cannot be considered binding.