



- Rugged construction
- Complies with: ICAO Annex 14 Vol. 1 Ch. 6 Low Intensity Type B
- Low maintenance
- Low power consumption
- Resistant to vibrations
- Long lifetime expectancy
- Integrated drain plug

### MY R. STAHL T2440B

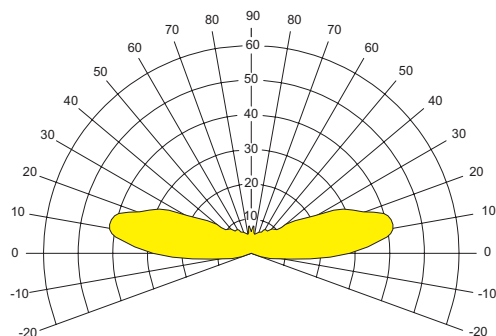
Tranberg luminaires are all designed for use in rough environments. The design of Tranberg luminaires is based on many years of experience and extensive research in the field of professional marine lighting. Carefully selected materials and components are used to ensure maximum performance, low maintenance and a long-trouble free life. The luminaire consist of five powerful light emitting diodes (LEDs), mounted on a machined aluminium base. The LED driver is placed in the lamp bottom along with terminals.

## Technical Data

<b>Explosion Protection</b>	
Installation	only safe area
<b>Electrical Data</b>	
Rated operational voltage AC	110 ... 230 V
Power	10 W
<b>Lighting Data</b>	
Effective luminous intensity	32 cd
<b>Ambient Conditions</b>	
Ambient temperature	-30 °C ... +45 °C
<b>Mechanical Data</b>	
Degree of protection (IP)	IP66
Enclosure material	Stainless steel, powder-coated, Acid-resistant
Weight	-
<b>Components</b>	
Drilled holes	2 x M25
Cable glands and entries	1 x M25 x 1.5
Stopping plugs	1 x M25 x 1.5

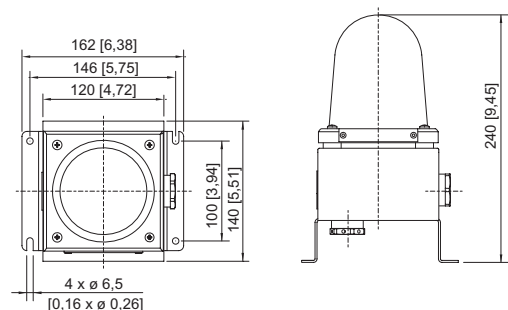
TEF2440160 Art. No. 170636

**Technical Drawings – Subject to Alterations**



Luminous intensity distribution

**Dimensional Drawings (All Dimensions in mm [inches]) – Subject to Alterations**



**Accessories**

		Art. No.
<b>Cable gland</b>	M25 Ø 11 ... 15 / 15 ... 20 mm TEF6222502	241042
<b>Stopping plug</b>	Exe M25 with lock nut TEF6502502	259505

**Spare Parts**

		Art. No.
<b>Gasket</b>	Silicon gasket for globe TEF50010021	165844
<b>Globe</b>	with red LEDs, without gasket TEF4417	170639
<b>Globe retainer ring</b>	Globe retainer ring TEF4249	241038
<b>LED Driver</b>	110 – 230 V TEF50890047	302226

TEF2440160 Art. No. 170636

---

Terminal block	Art. No.
Terminal block TEF50280008	241039

We reserve the right to make alterations to the technical data, dimensions, weights, designs and products available without notice. The illustrations cannot be considered binding.