

Isolators

Isolating repeater

Ex i field circuit ISpac

9165/16-11-11k Art. No. 201271



- Compact one- two-channel Ex i output isolating repeater
- Variants with a wire breakage and short-circuit monitoring system, which can be disconnected and includes message contact
- For use up to SIL 2 (IEC/EN 61508)

MY R. STAHL 9165A



The Series 9165 Ex i isolating repeaters are used for the intrinsically safe operation of control valves, I/P converters and indicators. They transmit superimposed HART communication signals in both directions. The input, output and auxiliary power are galvanically separated from one another. The two channels in the two-channel variants are galvanically separated from one another.

Technical Data

Explosion Protection

Application range (zones)	2
Ex interface zone	0, 1, 2, 20, 21, 22
IECEX gas certificate	IECEX BVS 10.0011 X
IECEX gas explosion protection	Ex nA nC [ja Ga] IIC T4 Gc
IECEX dust certificate	IECEX BVS 10.0011 X
IECEX dust explosion protection	[Ex ia Da] IIIC
ATEX gas certificate	DMT 03 ATEX E 012 X
ATEX gas explosion protection	⊕ II 3 (1) G Ex nA nC [ja Ga] IIC T4 Gc
ATEX dust certificate	DMT 03 ATEX E 012 X
ATEX dust explosion protection	⊕ II (1) D [Ex ia Da] IIIC
FMus certificate	FM16US0122X
cFM certificate	FM16CA0067X
Marking cFMus	Class I, Div. 2, Groups A,B,C,D; Class I, Zone 2, AEx/Ex nA nC Group IIC AIS Class I,II,III, Div. 1, Groups A,B,C,D,E,F,G; Class I, Zone 0, [AEx ia]/[Ex ia] IIC T4 at Ta = 70°C See Doc. 91 656 01 31 1
Certificates	ATEX (BVS), Canada (FM), China (NEPSI), IECEX (BVS), Korea (KTL), SIL (exida), USA (FM)
Ship approval	CCS, EU RO MR (DNV)
Declaration of conformity	ATEX (EUK), China (CCC)
Installation	In Zone 2, Division 2 and safe areas
Further information	See relevant certificate and operating instructions

Safety Data

Max. voltage U_o	25.6 V
Max. current I_o	96 mA

Safety Data

Max. power P_o	605 mW
Max. permissible external capacity C_o for IIC	0.103 μ F
Max. permissible external inductance L_o for IIC	1.9 mH
Max. permissible external capacity C_o for IIB	0.8 μ F
Max. permissible external inductance L_o for IIB	11 mH
Max. permissible external capacity C_o for IIIC	0.8 μ F
Max. permissible external inductance L_o for IIIC	11 mH
Internal capacitance	Negligible
Internal inductance	Negligible
Safety-related max. voltage	253 V

Functional Safety

SIL	2
HFT	0
SFF	72%
Lambda SD	0 FIT
Lambda SU	0 FIT
Lambda DD	150 FIT
Lambda DU	58 FIT
PFD_{avg} at T_{proof} 1 year	3,63E-04
PFD_{avg} at T_{proof} 3 years	8,40E-04
PFD_{avg} at T_{proof} 5 years	1,32E-03
PFD_{avg} at T_{proof} 10 years	2,51E-03
Further information	See test report

Electrical Data

Number of channels	1
LFD relay	Yes
Communication signal	HART

Auxiliary Power

Auxiliary power	24 V DC
Nominal voltage	24 V DC
Auxiliary power voltage range	18 to 31.2 V
Voltage range residual ripple	$\leq 3,6 V_{SS}$
Nominal current	55 mA
Power consumption	1.3 W
Max. power dissipation	1.1 W
Polarity reversal protection	Yes
Undervoltage monitoring	Yes
Operation indication	Green "PWR" LED

Galvanic Isolation

Test voltage as per standard	EN IEC 60079-11
------------------------------	-----------------

Galvanic Isolation

Ex i output to fault message contact	1.5 kV AC
Ex i output to auxiliary power	1.5 kV AC
Ex i output to input	1.5 kV AC
Test voltage as per standard	EN 50178
Fault message contact to auxiliary power	350 V AC
Input to auxiliary power	350 V AC
Fault message contact to input	350 V AC

Input

Input	0/4 ... 20 mA with HART
Input signal	0/4 to 20 mA with HART
Function range input	0 – 24 mA
Maximum input current	50 mA
Input resistance	175/400 Ω
Behaviour of the input with line fault	RE \geq 100 k Ω

Output

Output	0/4 to 20 mA with HART
Output signal	0/4 to 20 mA with HART
Function range output	0 – 24 mA
Open-circuit voltage U_a	22,5 V
Output residual ripple	\leq 50 mV
Load resistance R_L	0 ... 800 Ω
Settling time 10-90%	\leq 100 μ s
LF switch user adjustment	Activated/deactivated
Line fault response threshold	$I_E > 3.6$ mA
Min. RL for KS detection	150 Ω
Wire break. err detection OFF	UA > 16 V
Short circuit error detection output	RL < 50 ohm
Line fault indication	Red "LF" LED
Line fault and loss of power signalisation	- Contact (30 V/100 mA), closed against earth in case of error - pac-Bus, potential-free contact (30 V/100 mA)
Deviations / error note	Information in % of the measuring range (20 mA) at U_N , 23 $^{\circ}$ C
Average measurement fault	0,10%
Temperature influence error limits	\leq 0.05%/10 K

Ambient Conditions

Ambient temperature	-20 $^{\circ}$ C ... +70 $^{\circ}$ C (Single device) -20 $^{\circ}$ C ... +60 $^{\circ}$ C (Group assembly)
Ambient temperature	-4 $^{\circ}$ F ... +158 $^{\circ}$ F (Single device) -4 $^{\circ}$ F ... +140 $^{\circ}$ F (Group assembly)
Note	Installation conditions influence the ambient temperature. Please observe the "Cabinet installation guide".
Storage temperature	-40 $^{\circ}$ C ... +80 $^{\circ}$ C
Storage temperature	-40 $^{\circ}$ F ... +176 $^{\circ}$ F
Maximum relative humidity	95%
Use at the height of	< 2000 m
Electromagnetic compatibility	Tested to the following standards and regulations: EN 61326-1 For use in industrial areas; NAMUR NE 21

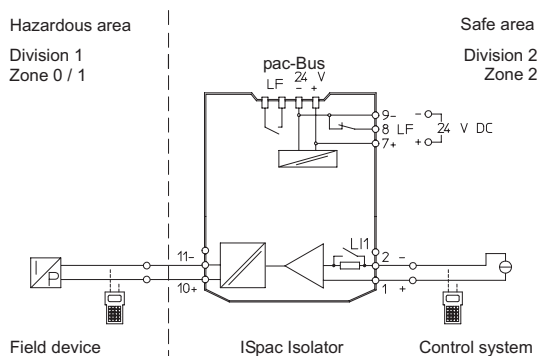
Mechanical Data

Degree of protection (IP)	IP30
Degree of protection (IP) terminals	IP20
Fire resistance (UL 94)	V0
Enclosure material	Polyamide
Grid dimension	17.6 mm
Width	17.6 mm
Width, inches	0.69 in
Height	114.5 mm
Height in inches	4.51 in
Length	128 mm
Length in inches	5.04 in
Weight	180 g
Weight	0.4 lb

Mounting / Installation

Mounting type	DIN rail NS35/15, NS35/7.5
Mounting orientation	Horizontal Vertical
Connection type	Spring clamp terminal
Min. rigid conductor cross section	0.2 mm ²
Max. rigid conductor cross section	2.5 mm ²
Min. flex conductor cross section	0.2 mm ²
Max. flex conductor cross section	2.5 mm ²
Connection cross-section AWG	24 ... 14

Technical Drawings – Subject to Alterations



Connection diagram 9165/16-11-11

Isolators

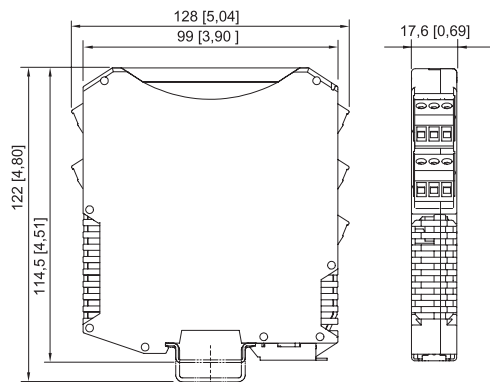
Isolating repeater

Ex i field circuit ISpac

9165/16-11-11k Art. No. 201271



Dimensional Drawings (All Dimensions in mm [inches]) – Subject to Alterations



ISpac Series 9146, 9147, 9160, 9162, 9163, 9165,
9167, 9170, 9172, 9175, 9176, 9180, 9182, 9193,
ISbus Series 9412 with spring clamp terminal

Accessories

Transparent cover



For 91xx ISpac modules
Yellow, transparent
Clear identification of the device for SIL applications.
(Packaging unit: 10 pieces)

Art. No.

200914

We reserve the right to make alterations to the technical data, dimensions, weights, designs and products available without notice. The illustrations cannot be considered binding.