

8510/112-07-408-022 Art. No. 202159



- Type-tested standard components for time-delayed switching
- Time delays of up to 300 hours, wide-range control voltage
- Release-delayed and response-delayed variants, also with wiping function

MY R. STAHL 85100



The R. STAHL Series 8510 time relay is a type-tested standard component for time-delayed switching – with a delay of up to 300 hours. It is available in release-delayed and response-delayed variants, as well as with a wiping function (only Y-Δ time relay), and with various contact types. The corrosion-resistant enclosure can be screwed into Ex e enclosures so that it is protected against vibrations.

### Technical Data

#### Explosion Protection

Ex version	Yes
Application range (zones)	1, 2
IECEX gas certificate	IECEX BVS 07.0029U
IECEX gas certificate	IECEX BVS 07.0029U
IECEX gas explosion protection	Ex de IIC
IECEX firedamp certificate	IECEX BVS 07.0029U
IECEX firedamp protection	Ex de I
ATEX gas certificate	DMT 00 ATEX E 073 U
ATEX gas certificate	DMT 00 ATEX E 073 U
ATEX gas explosion protection	⊕ II 2 G Ex de IIC
ATEX firedamp certificate	DMT 00 ATEX E 073 U
ATEX firedamp protection	⊕ I M2 Ex de I
Certificates	Brazil (ULB), China (CQST), IECEX (BVS)

#### Electrical Data

AC rated actuation voltage	24 – 240 V
DC rated actuation voltage	24 – 48 V
Frequency Hz (for AC)	60 50
Auxiliary contacts	2 (2 NO)

#### Ambient Conditions

Ambient temperature	-20 °C ... +60 °C
---------------------	-------------------

#### Mechanical Data

Version	Double response-delayed
Degree of protection (IP)	IP20
Enclosure material	Epoxy resin
Min. connection terminals	0.75 mm <sup>2</sup>

8510/112-07-408-022 Art. No. 202159

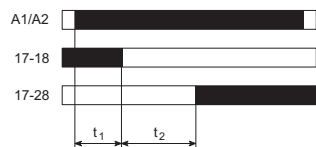
### Mechanical Data

Max. solid connection terminals	2.5 mm <sup>2</sup>
Max. finely stranded connection terminals	1.5 mm <sup>2</sup>
Type of connection cable	Finely stranded Solid
Width	48 mm
Height	130 mm
Depth	168 mm
Weight	2.76 lb

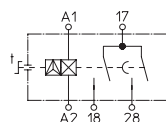
### Components

Min. time range	0,05 s
Max. time range	10 min

### Technical Drawings – Subject to Alterations

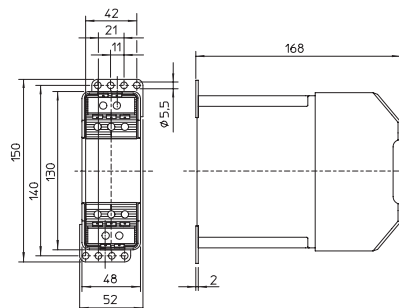


2-way response-delayed time relay with wiping function  
Time range: 0.05 sec to 10 min



2-way response-delayed time relay with wiping function  
Time range: 0.05 sec to 10 min

### Dimensional Drawings (All Dimensions in mm [inches]) – Subject to Alterations



8510/112

We reserve the right to make alterations to the technical data, dimensions, weights, designs and products available without notice. The illustrations cannot be considered binding.