

8510/112-07-109-011 Art. No. 202480



- Type-tested standard components for time-delayed switching
- Time delays of up to 300 hours, wide-range control voltage
- Release-delayed and response-delayed variants, also with wiping function

MY R. STAHL 8510O



The R. STAHL Series 8510 time relay is a type-tested standard component for time-delayed switching – with a delay of up to 300 hours. It is available in release-delayed and response-delayed variants, as well as with a wiping function (only Y-Δ time relay), and with various contact types. The corrosion-resistant enclosure can be screwed into Ex e enclosures so that it is protected against vibrations.

Technical Data

Explosion Protection

Ex version	Yes
Application range (zones)	1, 2
IECEX gas explosion protection	Ex de IIC
IECEX firedamp protection	Ex de I
ATEX gas explosion protection	Ⓔ II 2 G Ex de IIC
ATEX firedamp protection	Ⓔ I M2 Ex de I
Certificates	ATEX (BVS), Brazil (ULB), China (CQST), IECEX (BVS)

Electrical Data

AC rated actuation voltage	24 – 240 V
DC rated actuation voltage	24 – 240 V
Frequency Hz (for AC)	60 50
No. of aux. chng-ovr contacts	2
Auxiliary contacts	2 (2 change-over contacts)

Ambient Conditions

Ambient temperature	-20 °C ... +60 °C
---------------------	-------------------

Mechanical Data

Version	On-delay
Degree of protection (IP)	IP20
Enclosure material	Epoxy resin
Min. connection terminals	0.75 mm ²
Max. solid connection terminals	2.5 mm ²
Max. finely stranded connection terminals	1.5 mm ²
Type of connection cable	Finely stranded Solid
Width	48 mm

8510/112-07-109-011 Art. No. 202480

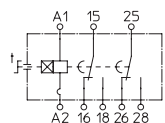
Mechanical Data

Height	130 mm
Depth	168 mm
Weight	1.25 kg
Weight	2.76 lb

Components

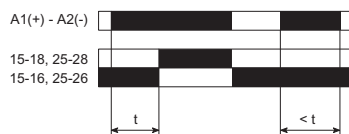
Min. time range	0,05 s
Max. time range	300 h

Technical Drawings – Subject to Alterations



response-delayed time relay, time started by supply voltage

Time range: 0.05 sec to 300 h

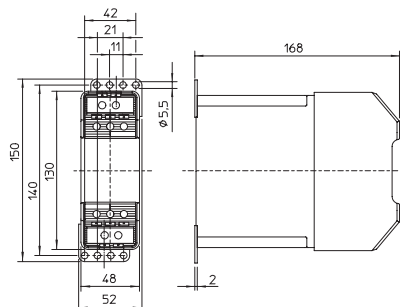


response-delayed time relay,

time started by supply voltage

Time range: 0.05 sec to 300 h

Dimensional Drawings (All Dimensions in mm [inches]) – Subject to Alterations



8510/112

We reserve the right to make alterations to the technical data, dimensions, weights, designs and products available without notice. The illustrations cannot be considered binding.