

8562/52-1014-160 Art. No. 213770



- Non-adjustable thermal and magnetic release
- Separator function in accordance with EN 60947-2
- Energy limitation class 3

MY R. STAHL 8562B



R. STAHL Series 8562 miniature circuit breakers boast good current limiting for short circuits and a high switching capacity of 6 or 10 kA. This results in a low load on cables and a high selectivity for downstream fuses. The components have a modular design and are therefore available in 1- to 4-pole versions and for rated currents of 0.5-40 A.

Technical Data

Explosion Protection

Application range (zones)	1 2
IECEX gas certificate	IECEX PTB 06.0062U
IECEX gas explosion protection	Ex de IIC T5 Gb
IECEX firedamp certificate	IECEX PTB 06.0062U
IECEX firedamp protection	Ex de I Mb
ATEX gas certificate	PTB 02 ATEX 1049 U
ATEX gas explosion protection	Ex II 2 G Ex de IIC T5 Gb
ATEX firedamp certificate	PTB 02 ATEX 1049 U
ATEX firedamp protection	Ex I M2 Ex de I Mb
Certificates	ATEX (PTB), Brazil (ULB), China (CQST), IECEX (PTB)

Electrical Data

Rated operational voltage AC	230 V
Rated operational voltage DC	48 V
Rated operational current	16 A
Rated switching capacity	6 kA
Type of voltage	AC/DC
Auxiliary contacts	1 change-over contact
N-pole present	No
Tripping characteristic	B
No. of poles	1

Ambient Conditions

Ambient temperature	-20 °C ... +60 °C
---------------------	-------------------

Mechanical Data

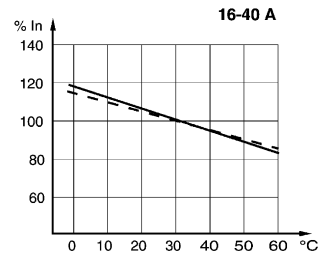
Degree of protection (IP)	IP20
Enclosure material	Epoxy resin
Width	54 mm

8562/52-1014-160 Art. No. 213770

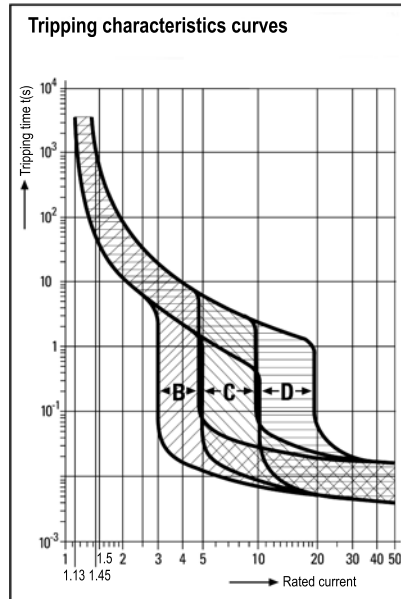
Mechanical Data

Length	156 mm
Depth of cut-out	117 mm
Weight	1.2 kg
Weight	2.65 lb

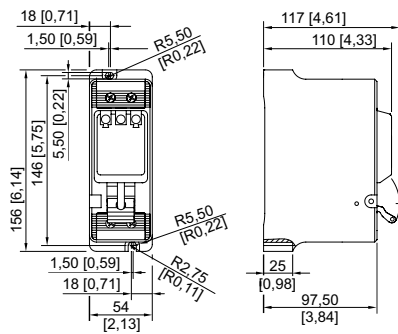
Technical Drawings – Subject to Alterations



Correction factors for ambient temperatures other than 30 °C



Dimensional Drawings (All Dimensions in mm [inches]) – Subject to Alterations



8562/52

We reserve the right to make alterations to the technical data, dimensions, weights, designs and products available without notice. The illustrations cannot be considered binding.