

8562/54-4045-160 Art. No. 215092



- Non-adjustable thermal and magnetic releases
- Isolating function in accordance with EN 60947-2
- Energy limiting class 3

MY R. STAHL 8562B



R. STAHL Series 8562 miniature circuit breakers boast good current limiting for short circuits and a high switching capacity of 6 or 10 kA. This results in a low load on conductors and a high selectivity for upstream fuses. The components have a modular design and are therefore available in 1- to 4-pole versions and for nominal currents from 0.5 to 40 A.

Technical Data

Explosion Protection

| | |
|--------------------------------|---|
| Application range (zones) | 1, 2 |
| IECEX gas certificate | IECEX PTB 06.0062U |
| IECEX gas explosion protection | Ex de IIC T5 Gb |
| IECEX firedamp certificate | IECEX PTB 06.0062U |
| IECEX firedamp protection | Ex de I Mb |
| ATEX gas certificate | PTB 02 ATEX 1049 U |
| ATEX gas explosion protection | Ex II 2 G Ex de IIC T5 Gb |
| ATEX firedamp certificate | PTB 02 ATEX 1049 U |
| ATEX firedamp protection | Ex I M2 Ex de I Mb |
| Certificates | ATEX (PTB), Brazil (ULB), China (CQST), IECEX (PTB) |

Electrical Data

| | |
|------------------------------|-----------------------|
| Rated operational voltage AC | 400 V |
| Rated operational current | 16 A |
| Rated operational current | 16 A |
| Rated switching capacity | 10 kA |
| Type of voltage | AC |
| Auxiliary contacts | 1 change-over contact |
| N-pole present | Yes |
| Tripping characteristic | C |
| No. of poles | 4 |

Ambient Conditions

| | |
|---------------------|------------------|
| Ambient temperature | -20 °C ... 60 °C |
|---------------------|------------------|

Mechanical Data

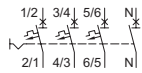
| | |
|---------------------------|-------------|
| Degree of protection (IP) | IP20 |
| Enclosure material | Epoxy resin |
| Length | 156 mm |
| Length in inches | 6.14 in |

8562/54-4045-160 Art. No. 215092

Mechanical Data

| | |
|--------------------------|---------|
| Depth of cut-out | 117 mm |
| Mounting depth in inches | 4.61 in |
| Weight | 3.97 lb |

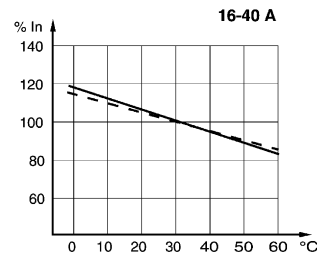
Technical Drawings – Subject to Alterations



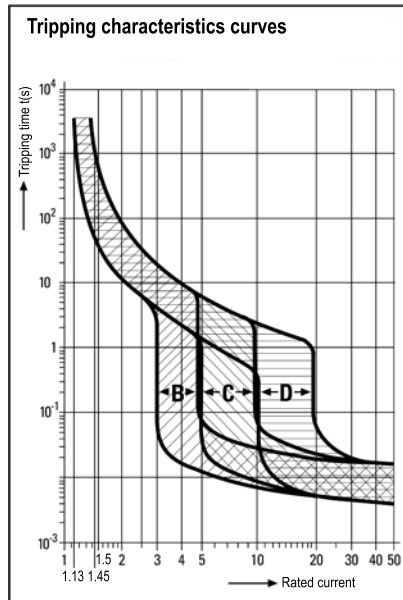
3-pole + N



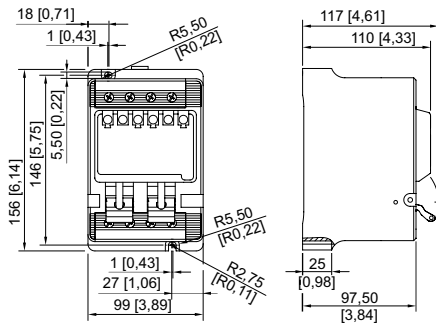
Fault signal contact 1 change-over contact for error signal
(only for types 8562/54-2465-160-4 and 8562/54-2475-4: After the switch trips, the fault message contact can be reset manually)



Correction factors for ambient temperatures which deviate from 30 °C



Dimensional Drawings (All Dimensions in mm [inches]) – Subject to Alterations



8562/54

We reserve the right to make alterations to the technical data, dimensions, weights, designs and products available without notice. The illustrations cannot be considered binding.