

8252/14-0MMM0-111 Art. No. 215147



- Ex d enclosure in 3 sizes, pre-mounted with threads and DIN rails for standard terminals
- Enclosure holes for quick and easy mounting
- Also suitable for versions with electronic components and relays

MY R. STAHL 8252A



The new R. STAHL Series 8252/1 Ex d terminal boxes are made of seawater-resistant, copper-free aluminium casting alloy. The DIN rail is pre-mounted; in addition, the enclosures can be configured flexibly: Three sizes, 3, 4 or 5 hubs, metric or NPT thread – and always individually equipped, also with electronic components and relays.

Technical Data

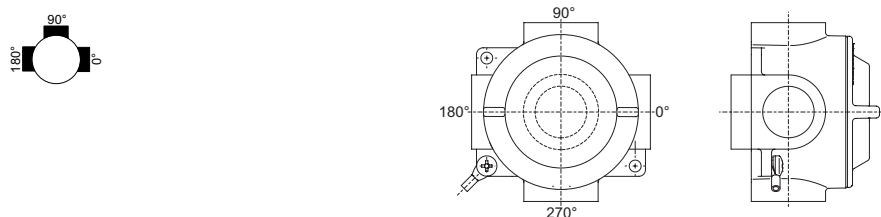
Explosion Protection	
Application range (zones)	1, 2, 21, 22
IECEX gas certificate	IECEX BVS 11.0059X
IECEX gas explosion protection	Ex d IIC T5-T6 Gb
IECEX dust certificate	IECEX BVS 11.0059X
IECEX dust explosion protection	Ex tb IIIC T80°C-95°C Db
ATEX gas certificate	BVS 11 ATEX E 114 X
ATEX gas explosion protection	Ⓔ II 2 G Ex d IIC T5-T6 Gb
ATEX dust certificate	BVS 11 ATEX E 114 X
ATEX dust explosion protection	Ⓔ II 2 D Ex tb IIIC T80°C-95°C Db
Certificates	ATEX (BVS), China (NEPSI), IECEX (BVS), India (PESO)
Declaration of Conformity	ATEX (EUK), China (CCC)
Electrical Data	
Rated operational voltage AC	0 ... 690 V
Ambient Conditions	
Ambient temperature	-60 °C ... +70 °C
Mechanical Data	
Degree of protection (IP)	IP66
Degree of protection note	according to IEC/EN 60529
Enclosure material	Cast aluminium alloy, Copper-free, powder-coated
Enclosure colour	Light grey (RAL 7032)
Dimensions (WxHxD)	156 x 156 x 115 mm
Width	156 mm
Height	156 mm
Depth	115 mm
Built-in components	Mounting rail
Enclosure size	4
Floor openings (BASE)	without entry & without adaptor

8252/14-0MMM0-111 Art. No. 215147

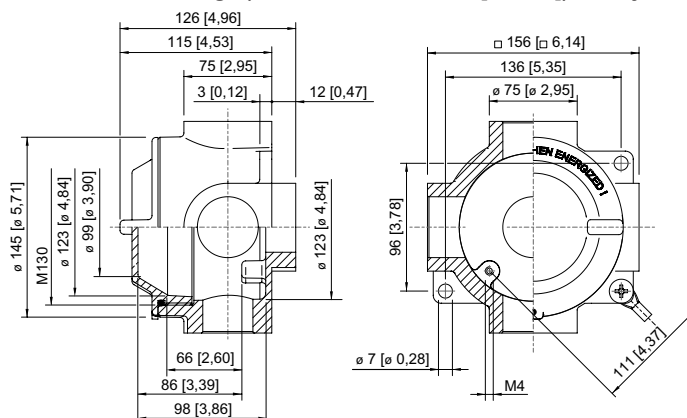
Mechanical Data

Left openings (180°)	NPT2
Top openings (90°)	NPT2
Right openings (0°)	NPT2
Bottom openings (270°)	without entry & without adaptor
Weight	1.54 kg
Weight	3.4 lb

Technical Drawings – Subject to Alterations



Dimensional Drawings (All Dimensions in mm [inches]) – Subject to Alterations



Size 4

Accessories

DIN rail		Art. No.
	TS15 Dimensions: 15 x 5.5 x 120	211475
	TS35 Dimensions: 35 x 7.5 x 115	211859
Mounting plate		Art. No.
	100 x 100 x 2	211479
O-ring		Art. No.
	123.5 x 3	211483

We reserve the right to make alterations to the technical data, dimensions, weights, designs and products available without notice. The illustrations cannot be considered binding.