

8252/12-0BBBB-111 Art. No. 215186



- Ex d enclosure in 3 sizes, pre-mounted with threads and DIN rails for standard terminals
- Enclosure holes for quick and easy mounting
- Also suitable for versions with electronic components and relays

MY R. STAHL 8252A



The new R. STAHL Series 8252/1 Ex d terminal boxes are made of seawater-resistant, copper-free aluminium casting alloy. The DIN rail is pre-mounted; in addition, the enclosures can be configured flexibly: Three sizes, 3, 4 or 5 hubs, metric or NPT thread – and always individually equipped, also with electronic components and relays.

Technical Data

Explosion Protection

Application range (zones)	1, 2, 21, 22
IECEX gas certificate	IECEX BVS 11.0059X
IECEX gas explosion protection	Ex d IIC T5-T6 Gb
IECEX dust certificate	IECEX BVS 11.0059X
IECEX dust explosion protection	Ex tb IIIC T80°C-95°C Db
ATEX gas certificate	BVS 11 ATEX E 114 X
ATEX gas explosion protection	Ⓔ II 2 G Ex d IIC T5-T6 Gb
ATEX dust certificate	BVS 11 ATEX E 114 X
ATEX dust explosion protection	Ⓔ II 2 D Ex tb IIIC T80°C-95°C Db
Certificates	ATEX (BVS), China (NEPSI), IECEX (BVS), India (PESO)
Declaration of Conformity	ATEX (EUK), China (CCC)

Electrical Data

Rated operational voltage AC	0 ... 690 V
------------------------------	-------------

Ambient Conditions

Ambient temperature	-60 °C ... +70 °C
---------------------	-------------------

Mechanical Data

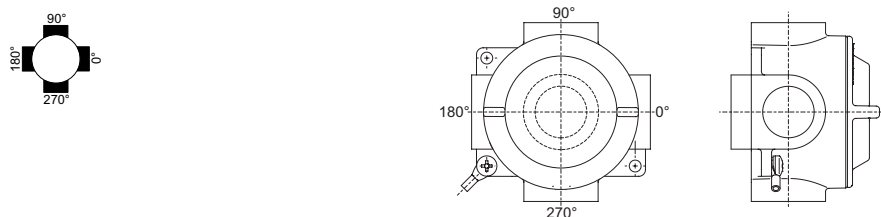
Degree of protection (IP)	IP66
Degree of protection note	according to IEC/EN 60529
Enclosure material	Cast aluminium alloy, Copper-free, powder-coated
Enclosure colour	Light grey (RAL 7032)
Dimensions (WxHxD)	106 x 106 x 76 mm
Width	106 mm
Height	106 mm
Depth	76 mm
Built-in components	Mounting rail
Enclosure size	2
Floor openings (BASE)	without entry & without adaptor

8252/12-0BBBB-111 Art. No. 215186

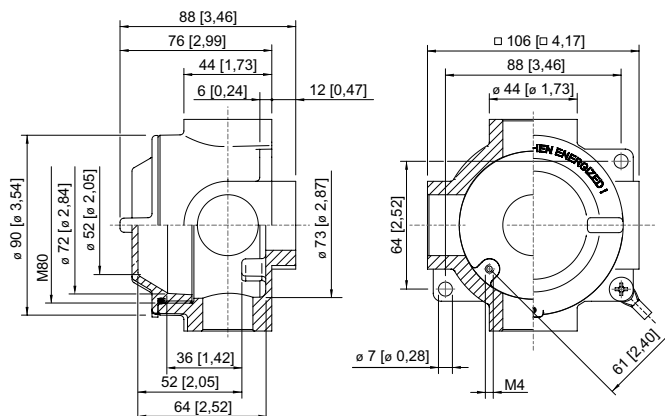
Mechanical Data

Left openings (180°)	M20
Top openings (90°)	M20
Right openings (0°)	M20
Bottom openings (270°)	M20
Weight	640 g
Weight	1.41 lb

Technical Drawings – Subject to Alterations



Dimensional Drawings (All Dimensions in mm [inches]) – Subject to Alterations



Size 2

Accessories

DIN rail		Art. No.
	TS15 Dimensions: 15 x 5.5 x 72	211473
Mounting plate		Art. No.
	58 x 58 x 2	211477
O-ring		Art. No.
	73.5 x 3	211481

We reserve the right to make alterations to the technical data, dimensions, weights, designs and products available without notice. The illustrations cannot be considered binding.