

8252/12-BBBB0-111 Art. No. 215195



- Ex d enclosure in three sizes, pre-mounted with threads and DIN rail for standard terminals
- Enclosure holes for quick and easy mounting
- Also suitable for versions with electronic modules and relays

MY R. STAHL 8252A



The new R. STAHL Series 8252/1 Ex d terminal boxes are made of seawater-resistant, copper-free aluminium casting alloy. The DIN rail is pre-mounted, and the enclosures can be flexibly configured – in three sizes, with 3, 4 or 5 hubs, and with metric or NPT thread. They are always individually equipped, including with electronic components and relays.

### Technical Data

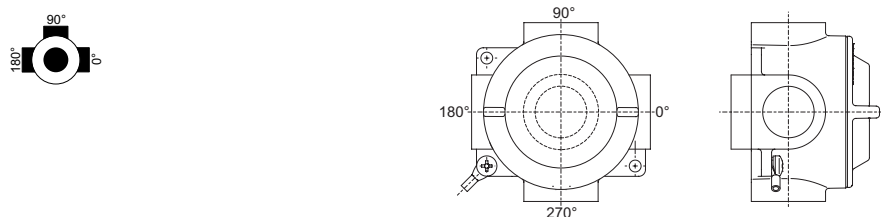
<b>Explosion Protection</b>	
Application range (zones)	1, 2, 21, 22
IECEX gas certificate	IECEX BVS 11.0059X
IECEX gas explosion protection	Ex d IIC T5-T6 Gb
IECEX dust certificate	IECEX BVS 11.0059X
IECEX dust explosion protection	Ex tb IIIC T80°C-95°C Db
ATEX gas certificate	BVS 11 ATEX E 114 X
ATEX gas explosion protection	Ⓔ II 2 G Ex d IIC T5-T6 Gb
ATEX dust certificate	BVS 11 ATEX E 114 X
ATEX dust explosion protection	Ⓔ II 2 D Ex tb IIIC T80°C-95°C Db
Certificates	ATEX (BVS), China (NEPSI), IECEX (BVS), India (PESO)
Declaration of conformity	ATEX (EUK), China (CCC)
<b>Electrical Data</b>	
Rated operational voltage AC	0 ... 690 V
<b>Ambient Conditions</b>	
Ambient temperature	-60 °C ... +70 °C
<b>Mechanical Data</b>	
Degree of protection (IP)	IP66
Degree of protection note	According to IEC/EN 60529
Enclosure material	Cast aluminium alloy, Copper-free, powder-coated
Enclosure colour	Light grey (RAL 7032)
Dimensions (WxHxD)	106 x 106 x 88 mm
Width	106 mm
Height	106 mm
Depth	88 mm
Built-in components	Mounting rail
Enclosure size	2
Floor openings (BASE)	M20

8252/12-BBBB0-111 Art. No. 215195

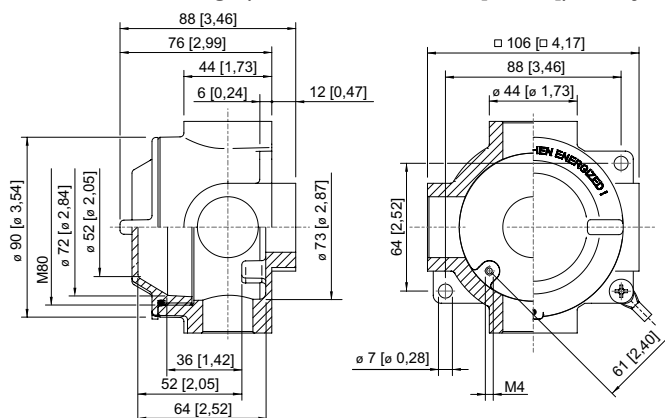
### Mechanical Data

Left openings (180°)	M20
Top openings (90°)	M20
Right openings (0°)	M20
Bottom openings (270°)	without entry & without adaptor
Weight	650 g
Weight	1.43 lb

### Technical Drawings – Subject to Alterations



### Dimensional Drawings (All Dimensions in mm [inches]) – Subject to Alterations



Size 2

### Accessories

DIN rail		Art. No.
	TS15 Dimensions: 15 x 5.5 x 72	211473
Mounting plate		Art. No.
	58 x 58 x 2	211477
O-ring		Art. No.
	73.5 x 3	211481

We reserve the right to make alterations to the technical data, dimensions, weights, designs and products available without notice. The illustrations cannot be considered binding.