

8252/13-0DDDD-111 Art. No. 216441



- Ex d enclosure in three sizes, pre-mounted with threads and DIN rail for standard terminals
- Enclosure holes for quick and easy mounting
- Also suitable for versions with electronic modules and relays

MY R. STAHL 8252A



The new R. STAHL Series 8252/1 Ex d terminal boxes are made of seawater-resistant, copper-free aluminium casting alloy. The DIN rail is pre-mounted, and the enclosures can be flexibly configured – in three sizes, with 3, 4 or 5 hubs, and with metric or NPT thread. They are always individually equipped, including with electronic components and relays.

### Technical Data

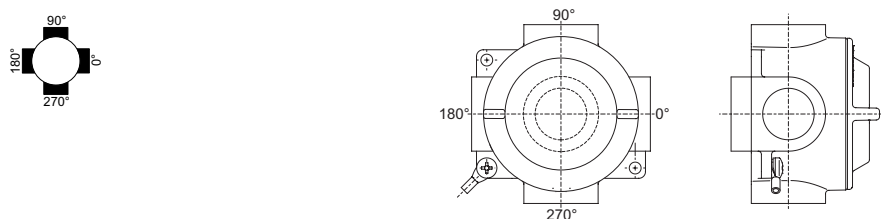
| <b>Explosion Protection</b>     |  |
|---------------------------------|--|
| Application range (zones)       | 1, 2, 21, 22   |
| IECEX gas certificate           | IECEX BVS 11.0059X                                   |
| IECEX gas explosion protection  | Ex d IIC T5-T6 Gb                                    |
| IECEX dust certificate          | IECEX BVS 11.0059X                                   |
| IECEX dust explosion protection | Ex tb IIIC T80°C-95°C Db                             |
| ATEX gas certificate            | BVS 11 ATEX E 114 X                                  |
| ATEX gas explosion protection   | Ⓔ II 2 G Ex d IIC T5-T6 Gb                           |
| ATEX dust certificate           | BVS 11 ATEX E 114 X                                  |
| ATEX dust explosion protection  | Ⓔ II 2 D Ex tb IIIC T80°C-95°C Db                    |
| Certificates                    | ATEX (BVS), China (NEPSI), IECEX (BVS), India (PESO) |
| Declaration of conformity       | ATEX (EUK), China (CCC)                              |
| <b>Electrical Data</b>          |  |
| Rated operational voltage AC    | 0 ... 690 V  |
| <b>Ambient Conditions</b>       |  |
| Ambient temperature             | -60 °C ... +70 °C                                    |
| <b>Mechanical Data</b>          |  |
| Degree of protection (IP)       | IP66   |
| Degree of protection note       | According to IEC/EN 60529                            |
| Enclosure material              | Cast aluminium alloy, Copper-free, powder-coated     |
| Enclosure colour                | Light grey (RAL 7032)                                |
| Dimensions (WxHxD)              | 120 x 120 x 99 mm                                    |
| Width                           | 120 mm   |
| Height                          | 120 mm   |
| Depth                           | 99 mm  |
| Built-in components             | Mounting rail  |
| Enclosure size                  | 3  |
| Floor openings (BASE)           | without entry & without adaptor                      |

8252/13-0DDDD-111 Art. No. 216441

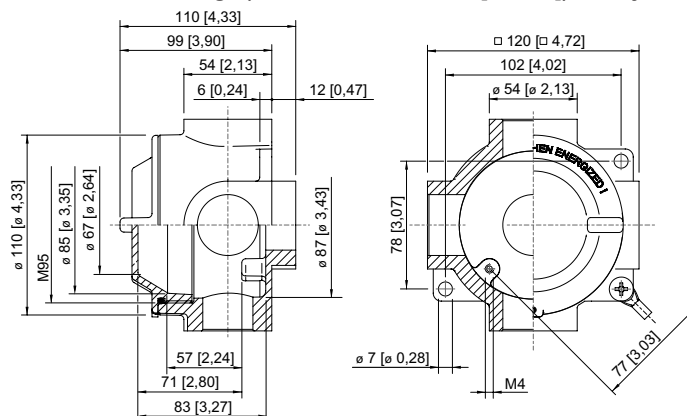
### Mechanical Data

|                        |         |
|------------------------|---------|
| Left openings (180°)   | M32     |
| Top openings (90°)     | M32     |
| Right openings (0°)    | M32     |
| Bottom openings (270°) | M32     |
| Weight                 | 990 g   |
| Weight                 | 2.18 lb |

### Technical Drawings – Subject to Alterations



### Dimensional Drawings (All Dimensions in mm [inches]) – Subject to Alterations



Size 3

### Accessories

| DIN rail       |                                   | Art. No. |
|----------------|-----------------------------------|----------|
|                | TS15<br>Dimensions: 15 x 5.5 x 86 | 211474   |
|                | TS35<br>Dimensions: 35 x 7.5 x 80 | 211858   |
| Mounting plate |                                   | Art. No. |
|                | 70 x 70 x 2                       | 211478   |
| O-ring         |                                   | Art. No. |
|                | 88.5 x 3                          | 211482   |

We reserve the right to make alterations to the technical data, dimensions, weights, designs and products available without notice. The illustrations cannot be considered binding.