

8510/111-02-209-050 Art. No. 217506



- Type-tested standard components
- Corrosion-resistant enclosure material

MY R. STAHL 8510A



The R. STAHL Series 8510 relay module provides cost-effective overload protection for motors. It is available in various versions and can contain up to four relays, each with different contact types. It can be screwed into Ex e enclosures so that it is protected against vibrations, while easily accessible connection terminals simplify installation.

### Technical Data

#### Explosion Protection

Application range (zones)	1, 2
IECEX gas certificate	IECEX BVS 07.0029U
IECEX gas certificate	IECEX BVS 07.0029U
IECEX gas explosion protection	Ex db eb IIC
IECEX firedamp certificate	IECEX BVS 07.0029U
IECEX firedamp protection	Ex de I
ATEX gas certificate	DMT 00 ATEX E 073 U
ATEX gas certificate	DMT 00 ATEX E 073 U
ATEX gas explosion protection	Ex II 2 G Ex db eb IIC
ATEX firedamp certificate	DMT 00 ATEX E 073 U
ATEX firedamp protection	Ex I M2 Ex de I
Certificates	ATEX (BVS), Brazil (ULB), China (CQST), IECEX (BVS)

#### Electrical Data

Rated actuating voltage	230 V AC
Switching capacity	2 W
Frequency Hz (for AC)	60 50
Type of voltage	AC
Auxiliary contacts	2 change-over contact

#### Ambient Conditions

Ambient temperature	-20 °C ... 60 °C
---------------------	------------------

#### Mechanical Data

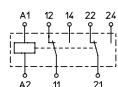
Degree of protection (IP)	IP20
Enclosure material	Epoxy resin
Connection cross-section	1.5 mm <sup>2</sup>
Connection cross section min.	0.75 mm <sup>2</sup>
Max. connection cross section, solid	2,5 mm <sup>2</sup>

8510/111-02-209-050 Art. No. 217506

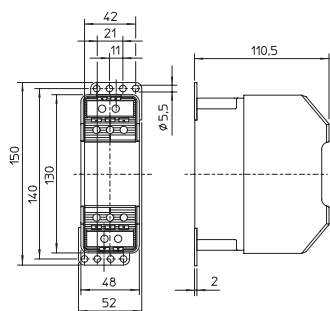
### Mechanical Data

Max. connection cross-section, finely stranded	1,5 mm <sup>2</sup>
Type of connection cable	Finely stranded Solid
Width	48 mm
Height	130 mm
Depth	110.5 mm
Weight	2.65 lb

### Technical Drawings – Subject to Alterations



### Dimensional Drawings (All Dimensions in mm [inches]) – Subject to Alterations



8510/111

We reserve the right to make alterations to the technical data, dimensions, weights, designs and products available without notice. The illustrations cannot be considered binding.