

8568/MCCB-GS101B-40 Art. No. 219823



- Degree of protection: Explosion-protected 1- and 2-pole moulded case circuit breaker with thermomagnetic protection
- Rated operational current from 15 to 125 A
- Maximum rated operational voltage: IEC/ATEX up to 415 V AC and NEC/CE Code up to 480 V AC
- Rated switching capacity of 10 kA according to IEC/EN 60947/UL 489
- Isolating characteristics according to IEC/EN 60947-2
- Thermal and magnetic release permanently set
- Design according to UL 489/CSA-C22.2 No. 5 and IEC 60947-2

MY R. STAHL 8568A



The Series 8568 moulded case circuit breakers meets all of the technical requirements for safe and selective switching-off. In the event of a short circuit, they limit the energy in the connected electrical circuits due to their mode of operation which effectively restricts short-circuit current, and thanks to their high short-circuit strength. They therefore provide a high degree of protection against back-up fuses tripping.

Technical Data

Explosion Protection

| | |
|--------------------------------|---|
| Application range (zones) | 1, 2, 21, 22 |
| Application range (Zone) note | For use in Zone 21/22 when protected by Ex tb/tc enclosure |
| IECEX gas certificate | FMG16.0005X |
| IECEX gas explosion protection | Ex db eb IIC T4 / T6 Gb |
| ATEX gas certificate | FM 16 ATEX 0005X |
| ATEX gas explosion protection | ⊕ II 2 G Ex db eb IIC T4 / T6 Gb |
| FMus certificate | FM19US0099U |
| cFM certificate | FM19CA0049U |
| Marking FMus | Class I, Div. 2, Groups A,B,C,D; T6 ... T4; Class I, Zone 1, AEx db eb IIC T6 ... T4 |
| Marking cFM | Class I, Zone 1, Ex db eb IIC T6 ... T4 Class I, Div. 2, Groups A,B,C,D; T6 ... T4; |
| Certificates | ATEX (FM), Canada (FM), IECEx (FM), USA (FM) |

Electrical Data

| | |
|------------------------------------|---------|
| Rated operational voltage AC | 240 V |
| AC rated operat. voltage (NEC) | 347 V |
| DC rated operational voltage | 125 V |
| Rated operational voltage DC (NEC) | 125 V |
| Rated operational current | 40 A |
| Rated operational current | 40 A |
| Rated switching capacity | 10 kA |
| Type of voltage | AC/DC |
| Auxiliary contacts | without |
| Auxiliary contacts 2 | without |
| N-pole present | No |
| No. of poles | 1 |

8568/MCCB-GS101B-40 Art. No. 219823

Ambient Conditions

| | |
|---------------------|---|
| Ambient temperature | -30 °C ... 40 °C (T6) -30 °C ... 60 °C (T4) |
| Ambient temperature | -22 °F ... 104 ... +104 °F (T6) -22 °F ... +140 °F (T4) |
| Note | Ambient temperature range for the device's installation location. If the device is installed at temperatures reaching +60 °C (+140 °F), please contact the factory. |

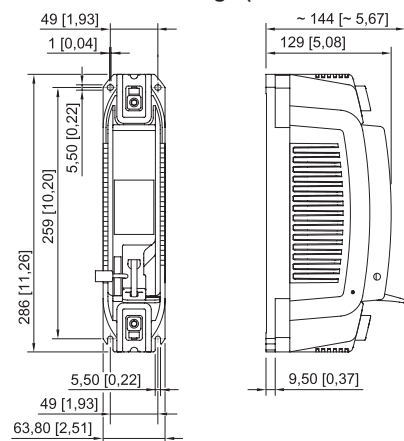
Mechanical Data

| | |
|------------------------------|--------------------------|
| Degree of protection (IP) | IP20 |
| Enclosure material | Epoxy resin |
| Connection cross-section AWG | 10 AWG ... 1/0 AWG |
| Min. tightening torque | 6 N · m |
| Max. tightening torque | 8 N · m |
| Connection cross-section | 6 ... 50 mm ² |
| Width | 63.8 mm |
| Length | 286 mm |
| Length in inches | 11.26 in |
| Mounting depth | 144 mm |
| Mounting depth in inches | 5.67 in |
| Weight | 2.35 kg |
| Weight | 5.18 lb |

Mounting / Installation

| | |
|--------------------------|-----------------|
| Tightening torque | 6 – 8 N · m |
| Tightening torque lbf in | 53 to 71 lbf in |

Dimensional Drawings (All Dimensions in mm [inches]) – Subject to Alterations



8568/MCCB, 1-pole

We reserve the right to make alterations to the technical data, dimensions, weights, designs and products available without notice. The illustrations cannot be considered binding.