



- Prefabricated system cables make it quick and easy to install – simply snaps onto a DIN rail or mounting plate
- Can be used for Emerson Delta V, Schneider Foxboro/Tricon, Honeywell C300, Siemens ET200M and ET200F, Yokogawa Centum VP and ProSafe-RS
- Every 91xx ISpac isolator can be used in the pac-Carrier

**MY R. STAHL 9195A**



The Series 9195 pac-Carrier is a cost-effective solution for connecting Ex i field devices to common I/O modules of distributed control systems or programmable logic controllers. The extremely robust carrier is suitable for 8 or 16 standard ISpac isolators and can process 32 signals, including a combination of Ex i and non-Ex i signals. It can be adapted to accommodate new I/O modules at any time. The carrier can be combined with the 9192 HART Mux.

**Technical Data**

<b>Explosion Protection</b>	
Application range (zones)	2
IECEX gas certificate	IECEX BVS 10.0042 X
IECEX gas explosion protection	Ex ec nC IIC T4 Gc
ATEX gas certificate	BVS 03 ATEX E 213 X
ATEX gas explosion protection	Ex II 3 G Ex ec nC IIC T4 Gc
FMus certificate	FM16US0122X
cFM certificate	FM16CA0067X
Marking cFMus	Class I, Div. 2, Groups A,B,C,D; Class I, Zone 2, Group IIC T4 at Ta = 70°C See Doc. 91 956 01 31 1
Certificates	ATEX (BVS), Brazil (ULB), Canada (FM), China (NEPSI), IECEX (BVS), SIL (exida), USA (FM)
Ship approval	CCS, EU RO MR (DNV)
Declaration of Conformity	ATEX (EUK)
<b>Functional Safety</b>	
SIL	3
<b>Electrical Data</b>	
Type of signal	DI, DO, AI, AO
Number of channels	32
LFD relay	Yes
I/O type	any
Redundancy	No
Connections	HART interface via automation system connection
Number of channels field device interface (HART)	8, 16, 32

#### Electrical Data

HART-multiplexer connection	No
Fuse	2 x TR5; T 2 A; interchangeable, for a primary and redundant power supply

#### Auxiliary Power

Auxiliary power	24 V DC
Nominal voltage	24 V DC
Redundant supply	Yes, diode-decoupled
Polarity reversal protection	Yes

#### Output

Application	Universal
Fault message contact switching capacity	30 V / 100 mA
Line fault and loss of power signalisation	- Contact (35 V/100 mA), closed in go-state

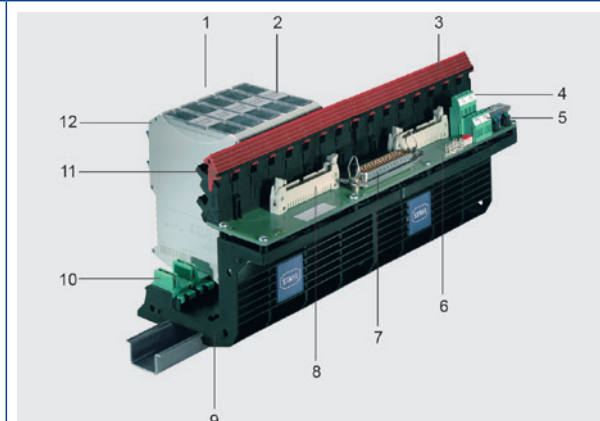
#### Ambient Conditions

Ambient temperature	-20 °C ... +70 °C
Ambient temperature	-4°F ... +158°F
Storage temperature	-40 °C ... +80 °C
Storage temperature	-40°F ... +176°F
Maximum relative humidity	95%
Use at the height of	< 2000 m
Electromagnetic compatibility	Tested to the following standards and regulations: EN 61326-1 For use in industrial areas; NAMUR NE 21

#### Mechanical Data

Degree of protection (IP) terminals	IP20
Number of slots	16
Grid dimension	17.6 mm
Width	292 mm
Width, inches	11.5 in
Height	150 mm
Height in inches	5.91 in
Length	155 mm
Length in inches	6.1 in
Weight	834 g
Weight	1.84 lb

Construction drawing

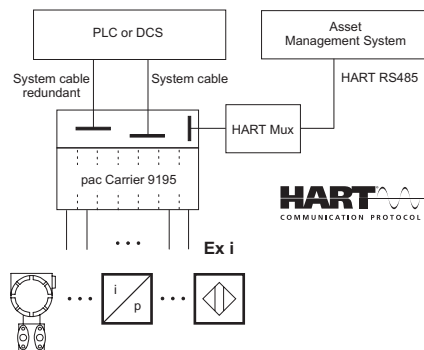


1. Carrier for 8 or 16 modules (32 channels)
2. Labelling of the modules, slot, carrier
3. Ejection mechanism (with screwdriver)
4. Redundant and protected power supply
5. Auxiliary power failure and line fault reporting via relay
6. System-specific PCB
7. System-specific plug
8. Signal multiplication and/or HART multiplexer connection
9. For DIN rail or mounting plate
10. Integrated pac-Bus for auxiliary power and line fault reporting
11. Secure locking mechanism, can be operated without tools
12. Individual sockets, any mix of signals

**Mounting / Installation**

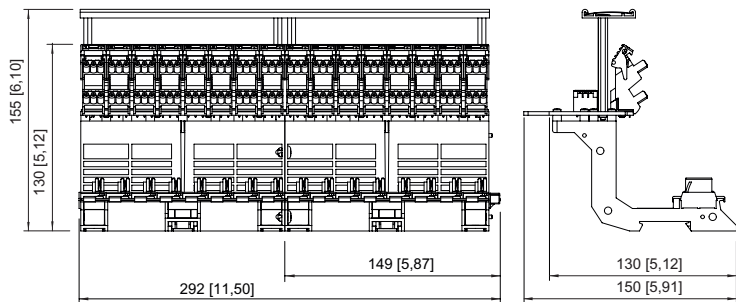
Mounting type	DIN rail or wall mounting
Mounting orientation	Vertical or horizontal
Mounting orientation	Vertical Horizontal

**Technical Drawings – Subject to Alterations**



System configuration

**Dimensional Drawings (All Dimensions in mm [inches]) – Subject to Alterations**



Typ 9195/16-....., 16 slots

**Accessories**

**Non-Ex i termination module**

**Art. No.**



The termination module enables non-Ex i field circuits to be integrated into the type 9195 pac-Carrier solution. This makes it possible to flexibly combine Ex i and non-Ex i field circuits in one pac-Carrier.

165683

# Isolators

pac-Carrier

ISpac

9195/16A-XX0-03B3 Art. No. 221918

---



We reserve the right to make alterations to the technical data, dimensions, weights, designs and products available without notice. The illustrations cannot be considered binding.