

8568/MCCB-GS101B-25 Art. No. 240682



- Degree of protection: Explosion-protected 1- and 2-pole moulded case circuit breaker with thermomagnetic protection
- Rated operational current from 15 to 125 A
- Maximum rated operational voltage: IEC/ATEX up to 415 V AC and NEC/CE Code up to 480 V AC
- Rated switching capacity of 10 kA according to IEC/EN 60947/UL 489
- Isolating characteristics according to IEC/EN 60947-2
- Thermal and magnetic release permanently set
- Design according to UL 489/CSA-C22.2 No. 5 and IEC 60947-2

MY R. STAHL 8568A



The Series 8568 moulded case circuit breakers meets all of the technical requirements for safe and selective switching-off. In the event of a short circuit, they limit the energy in the connected electrical circuits due to their mode of operation which effectively restricts short-circuit current, and thanks to their high short-circuit strength. They therefore provide a high degree of protection against back-up fuses tripping.

### Technical Data

#### Explosion Protection

|                                |   |
|--------------------------------|---|
| Application range (zones)      | 1, 2, 21, 22  |
| Application range (Zone) note  | For use in Zone 21/22 when protected by Ex tb/tc enclosure                              |
| IECEX gas certificate          | FMG16.0005X   |
| IECEX gas explosion protection | Ex db eb IIC T4 / T6 Gb   |
| ATEX gas certificate           | FM 16 ATEX 0005X  |
| ATEX gas explosion protection  | ⊕ II 2 G Ex db eb IIC T4 / T6 Gb  |
| FMus certificate               | FM19US0099U   |
| cFM certificate                | FM19CA0049U   |
| Marking FMus                   | Class I, Div. 2, Groups A,B,C,D; T6 ... T4;<br>Class I, Zone 1, AEx db eb IIC T6 ... T4 |
| Marking cFM                    | Class I, Zone 1, Ex db eb IIC T6 ... T4<br>Class I, Div. 2, Groups A,B,C,D; T6 ... T4;  |
| Certificates                   | ATEX (FM), Canada (FM), IECEx (FM), USA (FM)  |

#### Electrical Data

|                                    |         |
|------------------------------------|---------|
| Rated operational voltage AC       | 240 V   |
| AC rated operat. voltage (NEC)     | 347 V   |
| DC rated operational voltage       | 125 V   |
| Rated operational voltage DC (NEC) | 125 V   |
| Rated operational current          | 25 A    |
| Rated operational current          | 25 A    |
| Rated switching capacity           | 10 kA   |
| Type of voltage                    | AC/DC   |
| Auxiliary contacts                 | without |
| Auxiliary contacts 2               | without |
| N-pole present                     | No      |
| No. of poles                       | 1       |

8568/MCCB-GS101B-25 Art. No. 240682

**Ambient Conditions**

|                     |   |
|---------------------|---|
| Ambient temperature | -30 °C ... 40 °C (T6)<br>-30 °C ... 60 °C (T4)  |
| Ambient temperature | -22 °F ... 104 ... +104 °F (T6)<br>-22 °F ... +140 °F (T4)  |
| Note                | Ambient temperature range for the device's installation location. If the device is installed at temperatures reaching +60 °C (+140 °F), please contact the factory. |

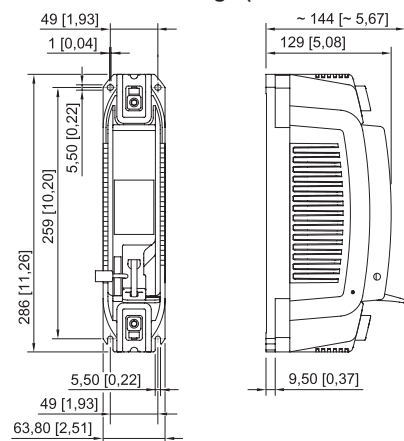
**Mechanical Data**

|                              |                          |
|------------------------------|--------------------------|
| Degree of protection (IP)    | IP20                     |
| Enclosure material           | Epoxy resin              |
| Connection cross-section AWG | 10 AWG ... 1/0 AWG       |
| Min. tightening torque       | 6 N · m                  |
| Max. tightening torque       | 8 N · m                  |
| Connection cross-section     | 6 ... 50 mm <sup>2</sup> |
| Width                        | 63.8 mm                  |
| Length                       | 286 mm                   |
| Length in inches             | 11.26 in                 |
| Mounting depth               | 144 mm                   |
| Mounting depth in inches     | 5.67 in                  |
| Weight                       | 2.35 kg                  |
| Weight                       | 5.18 lb                  |

**Mounting / Installation**

|                          |                 |
|--------------------------|-----------------|
| Tightening torque        | 6 – 8 N · m     |
| Tightening torque lbf in | 53 to 71 lbf in |

**Dimensional Drawings (All Dimensions in mm [inches]) – Subject to Alterations**



8568/MCCB, 1-pole

We reserve the right to make alterations to the technical data, dimensions, weights, designs and products available without notice. The illustrations cannot be considered binding.