

# Signalling devices



Audible signalling device Loudspeaker  
In flameproof enclosure Increased safety  
8494/C-S-EN-ST-13-00 Art. No. 242301



- Loudspeaker: Directional/max. 121 dB(A)
- Type of protection: Ex d with Ex e connection chamber
- Class: IP66/67 (IEC 60529)
- Corrosion-resistant polyamide enclosure
- Including stainless steel fixings

MY R. STAHL 8494A



The **8494 product series** is a range of 25 W or 15 W loudspeakers designed for use in hazardous and harsh environments. These are unique as they are constructed using antistatic polyamide which provides a lightweight, robust, corrosion-resistant enclosure. For ultimate flexibility, wattage, impedance and transformer variants with 25, 15, 6.5, 5, 2.5 and 1.5 W connections are available. The variant with the short trumpet comes in a compact enclosure and provides wide sound distribution. The variant with the long trumpet provides an increased sound pressure level and improved audibility.

## Technical Data

### Explosion Protection

Scope of validity	IECEX European Union (ATEX) USA Canada
Application range (zones)	1 2 21 22
IECEX gas certificate	IECEX PRE 14.0058X
IECEX gas explosion protection	Ex de mb IIC T4 Gb
IECEX dust certificate	IECEX PRE 14.0058X
IECEX dust explosion protection	Ex tb IIIC T105 °C Db
ATEX gas certificate	PRE 14ATEX 5555X
ATEX gas explosion protection	⊕ II 2 G Ex de mb IIC T4 Gb
ATEX dust certificate	PRE 14ATEX 5555X
ATEX dust explosion protection	⊕ II 2 D Ex tb IIIC T105 °C Db
Certificates	ATEX (PRE), Canada / USA (LC), IECEX (PRE)

### Electrical Data

Power	25 W
Impedance	20 Ω
Frequency range	450 – 6000 Hz

### Acoustic Data

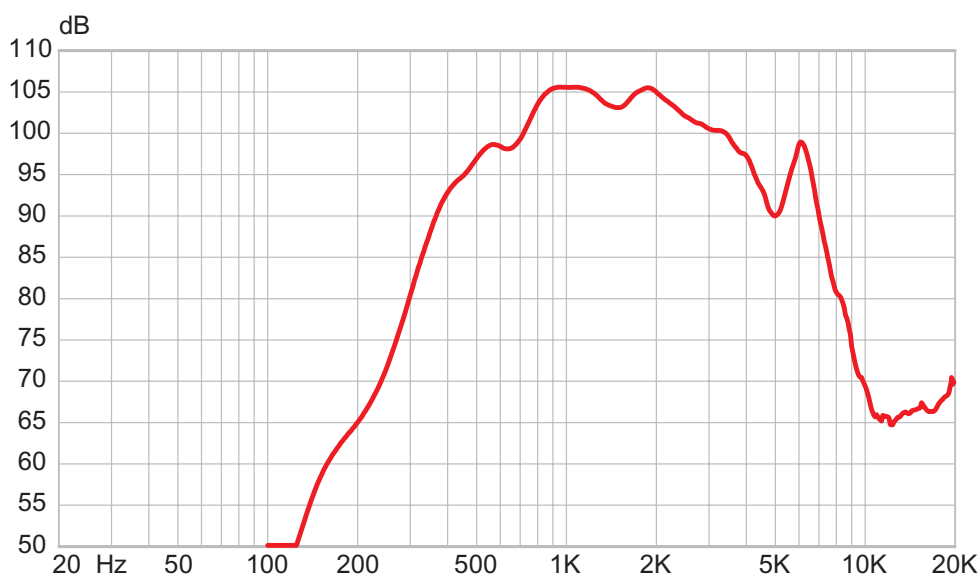
Sound pressure level	max. 115 dB(A) @ 1 m
----------------------	----------------------

# Signalling devices



Audible signalling device Loudspeaker  
In flameproof enclosure Increased safety  
8494/C-S-EN-ST-13-00 Art. No. 242301

Sound pressure level vs frequency at  
1 W



## Ambient Conditions

Ambient temperature -50 °C ... +60 °C

## Mechanical Data

Degree of protection (IP) (IEC 60529) IP66/IP67

Enclosure material Polyamide, antistatic

Enclosure colour Black

Trumpet material Polyamide, antistatic

Max. solid connection terminals 4 mm<sup>2</sup>

Max. finely stranded connection terminals 4 mm<sup>2</sup>

Width 188 mm

Height 144 mm

Length 207 mm

Flare size Short trumpet

Weight 2.2 kg

Weight 4.85 lb

## Mounting / Installation

Connection type Spring clamp terminal

Mounting part material Polyamide, antistatic

Note about mounting Pre-mounted

## Components

Drilled holes 2 x M20

Cable glands and entries Can be ordered as accessories

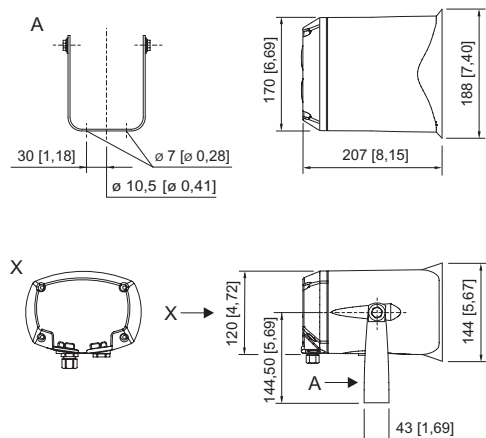
Stopping plugs 2 x dust cap

# Signalling devices





Audible signalling device Loudspeaker  
 In flameproof enclosure Increased safety  
 8494/C-S-EN-ST-13-00 Art. No. 242301

## Dimensional Drawings (All Dimensions in mm [inches]) – Subject to Alterations



Hazardous area loudspeaker – short trumpet  
 Bracket (A) supplied as standard

## Accessories

Cable gland made of plastic		Art. No.
	8161/7-M20-1304, Ex e Plastic, M20 x 1.5, cable outer diameter 4 to 13 mm Lot size 50 pieces	239156
Stopping plug		Art. No.
	8290/3-M20 Plastic, M20 x 1.5 Lot size 1 piece	143522
	8290/3-M20 Plastic, M20 x 1.5 Lot size 100 pieces	285773

We reserve the right to make alterations to the technical data, dimensions, weights, designs and products available without notice. The illustrations cannot be considered binding.