

Installation equipment

Installation switch Two-way switch



8040/11-V30-035-B Art. No. 245657



- Two-pole off switch or two-way switch version
- Enclosure made of glass fibre reinforced polyester resin
- Degree of protection IP66 according to IEC/EN 60529
- Clear position display 0/1 or ON/OFF

MY R. STAHL 8040F



The installation switches of Series 8040/11-V30 are used for switching lighting systems. The switching position is clearly shown by the 90° switch. This is an advantage if the lighting system and the switch are housed in different rooms. The fluorescent rotary actuator makes orientation possible if the lighting fails.

Technical Data

Explosion Protection

Area of application	European Union (ATEX) IECEX
Application range (zones)	1, 2, 21, 22
IECEX gas certificate	IECEX PTB 06.0025
IECEX gas explosion protection	Ex db eb IIC T6 Gb
IECEX dust certificate	IECEX PTB 06.0025
IECEX dust explosion protection	Ex tb IIIC T80 °C Db
ATEX gas certificate	PTB 01 ATEX 1105
ATEX gas explosion protection	⊕ II 2 G Ex db eb IIC T6 Gb
ATEX dust certificate	PTB 01 ATEX 1105
ATEX dust explosion protection	⊕ II 2 D Ex tb IIIC T80 °C Db
Certificates	ATEX (PTB), Brazil (ULB), China (NEPSI), IECEX (PTB), India (PESO), Taiwan (ITRI)
Ship approval	DNVGL
Declaration of Conformity	ATEX (EUK), China (CCC)
Explosion protection note	Product label may vary. Series devices are labelled with ATEX and IECEX.

Electrical Data

Rated operational voltage AC	690 V
Rated operational voltage DC	220 V
Rated operational current	16 A (T6)
No. of poles	2

Ambient Conditions

Ambient temperature °C	-20 °C ... +55 °C (T6) -20 °C ... +60 °C (T5)
Ambient temperature	-4 °F ... +131 °F (T6) -4 °F ... +140 °F (T5)

Mechanical Data

Version	Two-way switch
---------	----------------

8040/11-V30-035-B Art. No. 245657

Mechanical Data

Degree of protection (IP)	IP66
Degree of protection IP (IEC 60529)	IP66
Enclosure material	Polyester resin, Glass fibre reinforced
Sealing material	NBR
Contact material	Silver-nickel
Min. connection terminals	1.5 mm ²
Max. solid connection terminals	4 mm ²
Max. finely stranded connection terminals	2.5 mm ²
Width	80 mm
Width, inches	3.15 in
Height	93 mm
Height in inches	3.66 in
Depth	72 mm
Depth in inches	2.76 in
Service life, min.	10 ⁵ operating cycles
Weight	1.36 lb

Mounting / Installation

Tightening torque	1.8 Nm
Tightening torque of cover screw 1	1.4 Nm
Tightening torque of cover screw 1 lbf in	12.4 lbf in

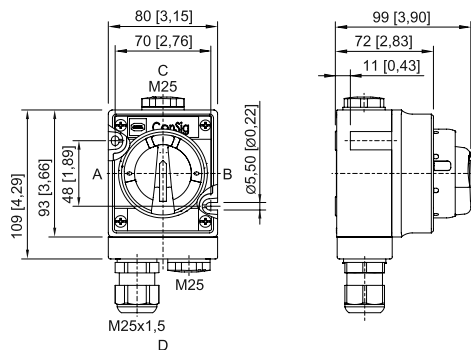
Components

Cable glands and entries	1 x M25 Ø 7 ... 17 mm
Stopping plugs	2 x M25 x 1.5
Entry type	Standard 8161, moulded material

Technical Drawings – Subject to Alterations

11 23	X
60°	X
120°	X
180°	X
240°	X
300°	X
12 24	

Dimensional Drawings (All Dimensions in mm [inches]) – Subject to Alterations



Spare Parts

Installation equipment

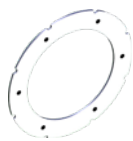
Installation switch Two-way switch



8040/11-V30-035-B Art. No. 245657

Labels for rotary actuator Maxi BG736, BG737

Art. No.



Dia. 58.5
.....

318504

Rotary actuator Maxi BG736

Art. No.



8602C3-736-B-XXX-E08
Ø 64 mm
Handle colour: Black
Protective collar colour: Black
Front panel mounting
-20 °C ... 60 °C
Silicone-free: Yes
Lockable option (max. 3 times) can be determined using the enclosed closing parts.
Lockable handle position: Not defined.
In the unmounted assemblies, the standard label is 0/OFF-I/ON and the long coupling part is enclosed.
Other labels must be ordered separately.

318417

Switch

Art. No.



Two-way switch

128450

We reserve the right to make alterations to the technical data, dimensions, weights, designs and products available without notice. The illustrations cannot be considered binding.